

# Customer Information Sheet

DRAWING No.: M20-890XX05

SHEET 2 OF 2

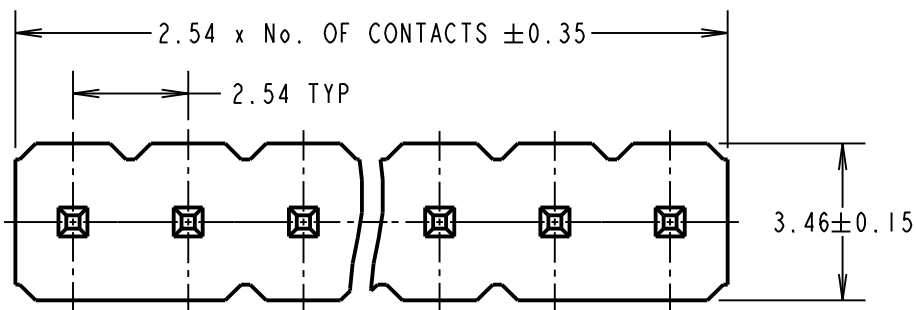
IF IN DOUBT - ASK

©

NOT TO SCALE

THIRD ANGLE PROJECTION

ALL DIMENSIONS IN mm



**NOTES:**

- CO-PLANARITY: FLATNESS OF SMT TAILS TO MOULDING DOES NOT EXCEED 0.20mm.
- ALL TOLERANCES ARE ±0.25mm, UNLESS OTHERWISE STATED.

**Active products:**

- M20-8900305
- M20-8900405
- M20-8900505
- M20-8900605
- M20-8900705
- M20-8900805
- M20-8900905
- M20-8901105

**SPECIFICATION:**

**MATERIAL:**  
 MOULDING = PA6T UL94V-0, BLACK  
 CONTACT = BRASS

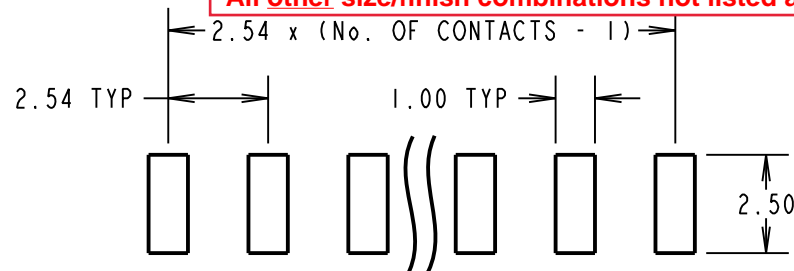
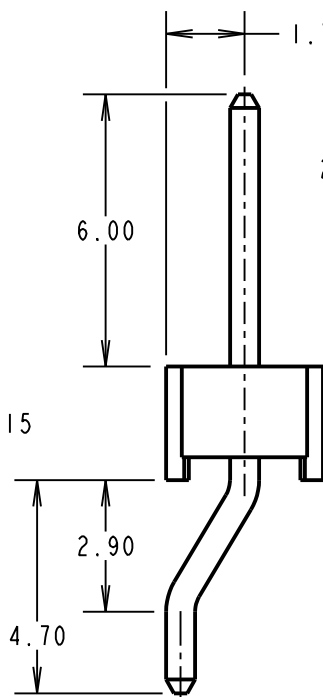
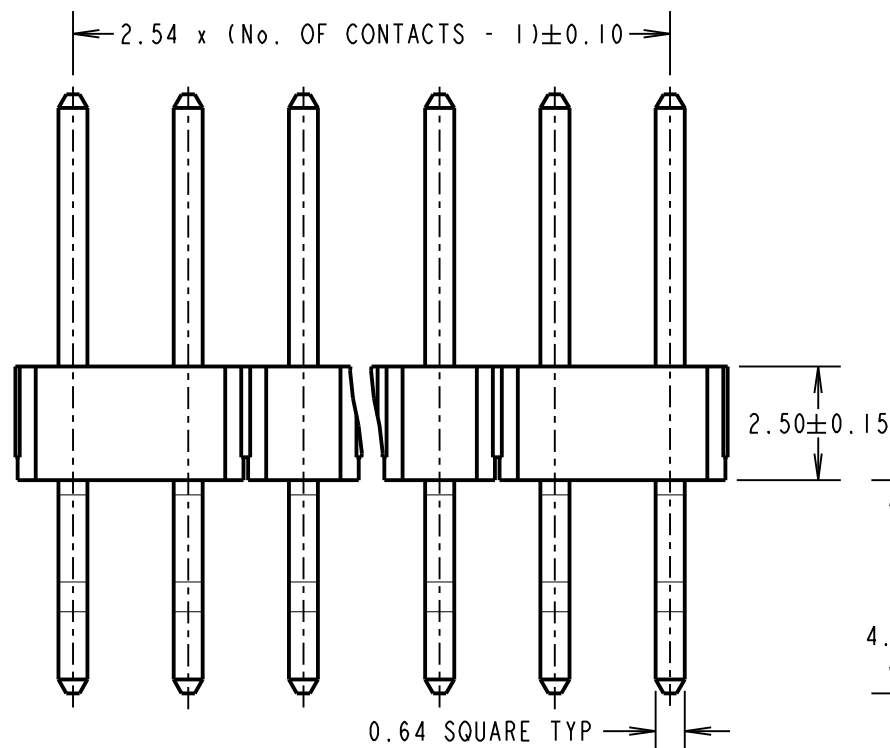
**FINISH:**  
 CONTACT = GOLD FLASH OVER NICKEL

**ELECTRICAL:**  
 CURRENT RATING = 3A  
 CONTACT RESISTANCE = 20mΩ MAX  
 INSULATION RESISTANCE = 1000MΩ MIN  
 DIELECTRIC STRENGTH = 1000V AC FOR ONE MIN

**ENVIRONMENTAL:**  
 TEMPERATURE RANGE = -40°C TO +105°C  
 FOR COMPLETE SPECIFICATION, SEE COMPONENT SPECIFICATION COOIXX (LATEST ISSUE)

**OBSOLETE**

**All other size/finish combinations not listed above**



RECOMMENDED PAD LAYOUT  
 (TOLERANCE = ±0.05)

ORDER CODE:

**M20-890XX05**

No. OF CONTACTS: \_\_\_\_\_  
 03 TO 20

WJP	6	01.08.17	20398
NAME	ISS.	DATE	C/NOTE
APPROVED: W. J. PRESTON			
CHECKED: M. PLESTED			
DRAWN: S. BENNETT			
CUSTOMER REF.:			
ASSEMBLY DRG:			

**HARWIN**

www.harwin.com  
 technical@harwin.com

THIS DRAWING AND ANY INFORMATION OR DESCRIPTIVE MATTER SET OUT HEREON ARE CONFIDENTIAL AND COPYRIGHT PROPERTY OF THE HARWIN GROUP AND MUST NOT BE DISCLOSED, LOANED, COPIED OR USED FOR MANUFACTURING, TENDERING OR FOR ANY OTHER PURPOSE WITHOUT THEIR WRITTEN PERMISSION.

**TOLERANCES**  
~~X = ±1mm~~  
~~X.X = ±0.50mm~~  
~~X.XX = ±0.10mm~~  
~~X.XXX = ±0.01mm~~  
 ANGLES = ±5°  
 UNLESS STATED

**MATERIAL:**

SEE ABOVE

**FINISH:** SEE ABOVE

**S/AREA:**

mm<sup>2</sup>

**TITLE:**

2.54mm PITCH SIL HORIZONTAL SMT PIN HEADER ASSEMBLY

**DRAWING NUMBER:**

**M20-890XX05**

SHT  
 2 OF 2