
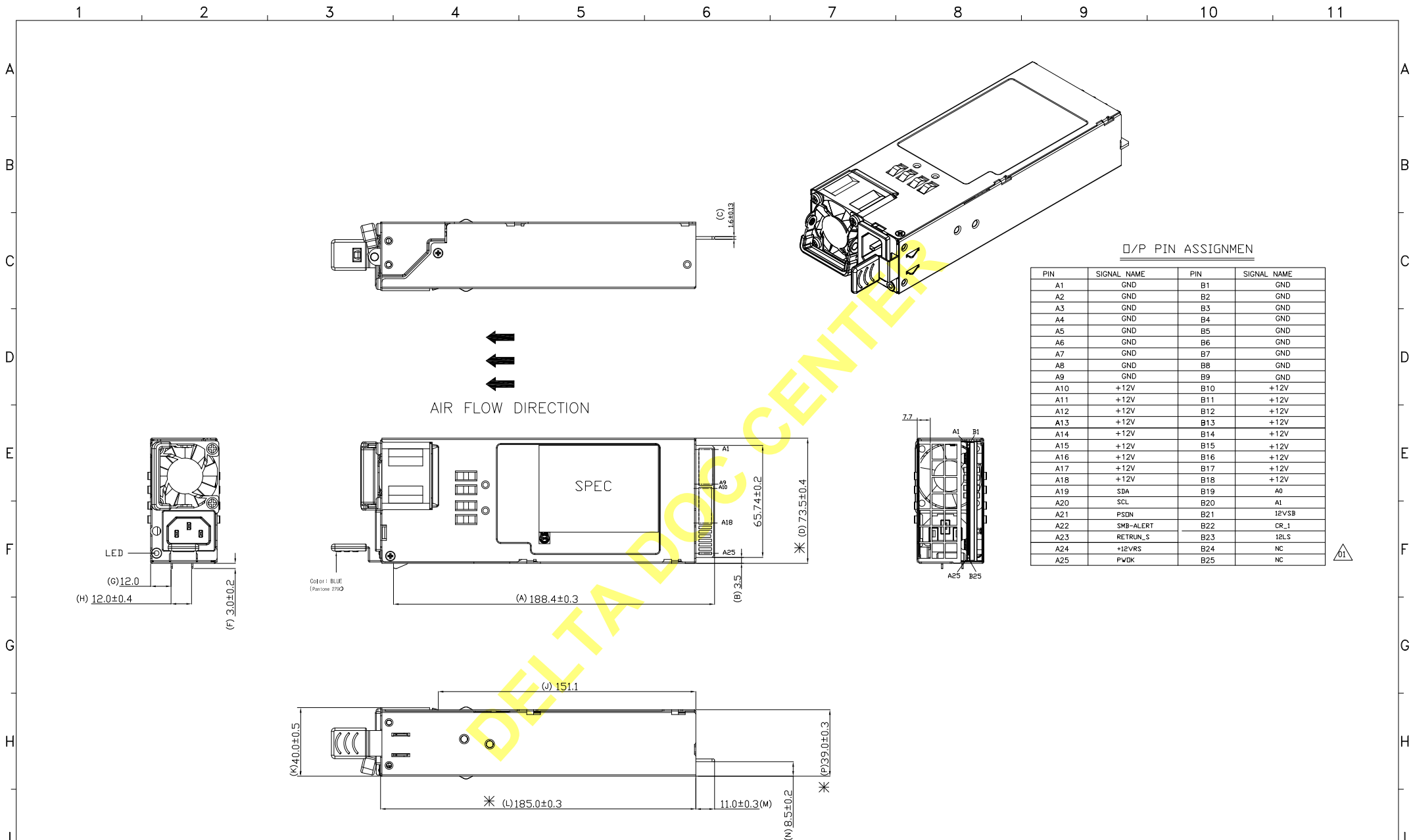


REV.	Description	REV.	Description
01	B24,B25 CHANGE TO NC JAME.DENG 10/12'15		 DDCC-ChungLi Document is Released 2018.07.06 15:11:46 +08'00'
02	ADD Retention Holder JAME.DENG 1/16'18		
03	Del. Retention Holder JAME.DENG 7/3'18		

DELTA DOC CENTER

 <b>台達電子工業股份有限公司</b> <b>DELTA ELECTRONICS, INC.</b>	Description: Physical Dimensions of Power Supply	
	Part No.	DPS-550AB-11 D
	USED ON SHEET	DPS-550AB-11 D 2 OF 2
THESE DRAWINGS AND SPECIFICATIONS ARE THE PROPERTY OF DELTA ELECTRONICS, INC. AND SHALL NOT BE REPRODUCED OR USED AS THE BASIS FOR THE MANUFACTURE OR SELL OF APPARATUSES OR DEVICES WITHOUT PERMISSION.	REV.	03



NOTES: TOLERANCES OF ALL DIMENSIONS ARE ±0.5mm UNLESS OTHERWISE SPECIFIED.  
 MATING CONNECTOR IS FCI 10035388-102LF (DUAL ROW 2x25 TOTOL 50PIN) OR EQUIVALENT.

台達電子工業股份有限公司 DELTA ELECTRONICS, INC.	Drawn: 鄧合龍	Design: 鄧合龍
	1/14'15	1/14'15
THESE DRAWINGS AND SPECIFICATIONS ARE THE PROPERTY OF DELTA ELECTRONICS, INC. AND SHALL NOT BE REPRODUCED OR USED AS THE BASIS FOR THE MANUFACTURE OR SELL OF APPARATUS OR DEVICES WITHOUT PERMISSION.	Description: Physical Dimensions of Power Supply	
DIMENSIONAL TOLERANCES ( ) : ±0.25 DECIMALS UP-100 : ±0.2 250-300 : ±0.4 UP-600 : ±1.5 >30-100 : ±0.35 X : ±0.3 100-150 : ±0.25 300-350 : ±0.45 600-900 : ±2.4 >100-200 : ±0.5 X.X : ±0.2 100-200 : ±0.3 300-400 : ±0.5 900-OVER : ±0.1 ABOVE 300 : ±0.6 X.XX : ±0.1 200-250 : ±0.35	Part No. DPS-550AB-11 D	
SCALE: UNIT: MM USED ON: DPS-550AB-11 D	A1 SIZE	REV. 03 SHEET 1 OF 2 ISSUE DATE: 1/14'15