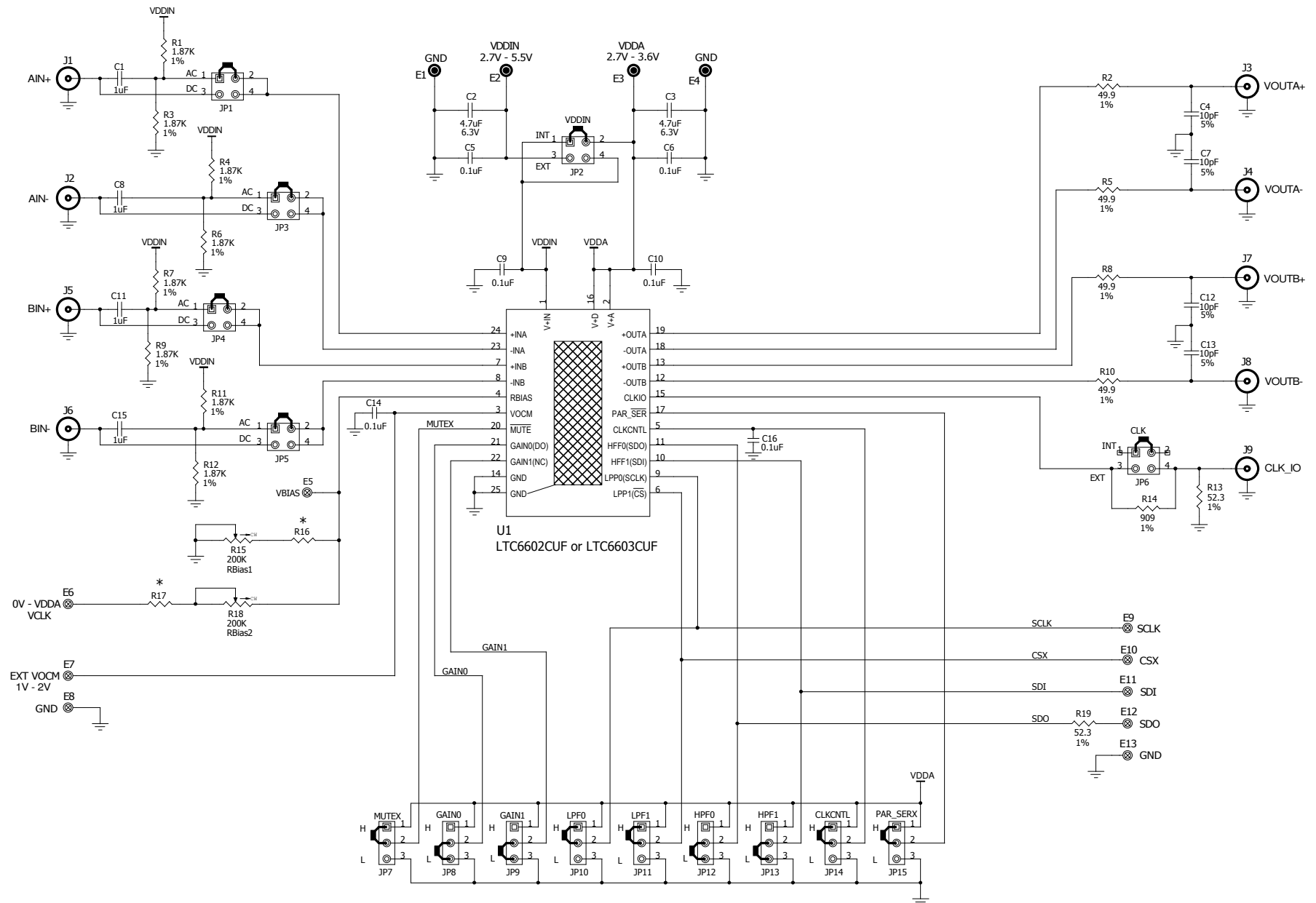


REVISION HISTORY				
ECO	REV	DESCRIPTION	DATE	APPROVED
	0	1st PROTOTYPE	<DATE>	<APPROVED>



ASSY	U1	JP7	JP12	JP13	* R16	* R17
-A	LTC6602CUF	XJP7 - 1 & 2	XJP12 - 2 & 3	XJP13 - 2 & 3	54.9K	47.5K
-B	LTC6603CUF	OPEN	OPEN	OPEN	30.1K	30.1K

This circuit is proprietary to Linear Technology and supplied for use with Linear Technology parts.
Customer Notice: Linear Technology has made a best effort to design a circuit that meets customer-supplied specifications; however, it remains the customers responsibility to verify proper and reliable operation in the actual application. Component substitution and printed circuit board layout may significantly affect circuit performance or reliability. Contact Linear Applications Engineering for assistance.

APPROVALS		LINEAR TECHNOLOGY CORPORATION	
DRAWN: Rudy Bautista		1630 McCARTHY BLVD	www.linear.com
ENGINEER: Philip Karantzalis		MILPITAS, CA. 95035	LTC Confidential -
APPROVED:		(408)432-1900	For Customer Use Only
CHECKED:		(408)434-0507 (FAX)	
Date: Thursday, October 02, 2008		Title LTC6602CUF/LTC6603CUF	
C:\ORCAD\WINCAPTURE\1304A\1304A_02_REV2.DSN		Document Number	
		Dual Programmable Filter	
		SD Demo Circuit 1304A	
		Rev 2	
		Sheet 1 of 1	