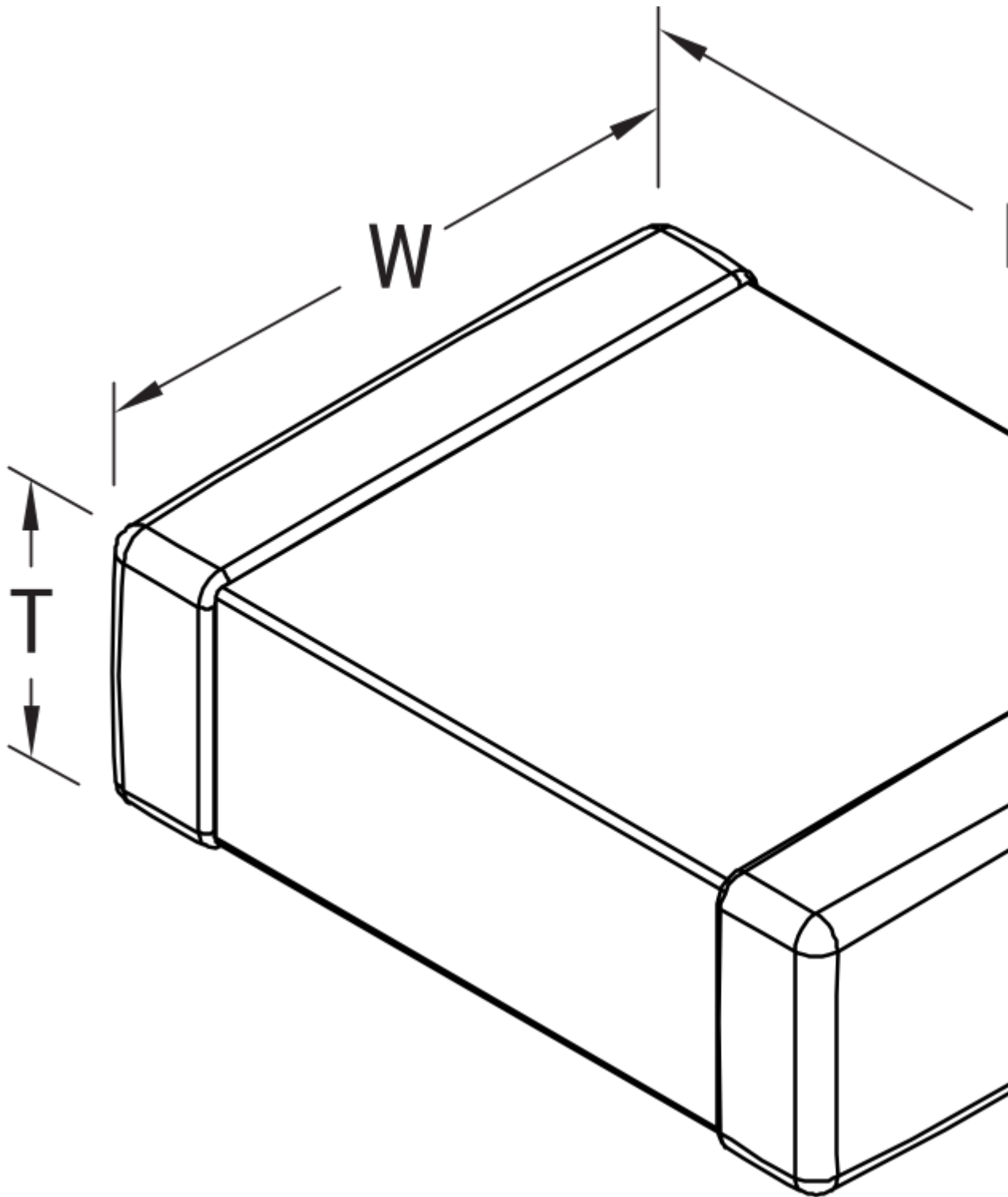


C1206C392J1GAC7210

SMD Comm C0G, Ceramic, 3900 pF, 5%, 100 VDC, C0G, SMD, MLCC, Ultra-Stable, Low Loss, Class I, 1206



Click [here](#) for the 3D model.

Dimensions

Chip Size 1206

L 3.2mm +/-0.2mm

W 1.6mm +/-0.2mm

T 1.2mm +/-0.15mm

Dimensions

B 0.5mm +/-0.25mm

Packaging Specifications

Packaging T&R, 330mm, Plastic Tape

Packaging Quantity 10000

General Information

Series SMD Comm C0G
Style SMD Chip
Description SMD, MLCC, Ultra-Stable, Low Loss, Class I
Features Ultra-Stable, Low Loss, Class I
RoHS Yes
Termination Tin
Marking No
AEC-Q200 No
Component Weight 30 mg
Shelf Life 78 Weeks
MSL 1

Specifications

Capacitance 3900 pF
Measurement Condition 1 kHz 1.0Vrms
Capacitance Tolerance 5%
Voltage DC 100 VDC
Dielectric Withstanding Voltage 250 VDC
Temperature Range -55/+125°C
Temperature Coefficient C0G
Capacitance Change with Reference to +25°C and 0 VDC Applied (TCC) 30 ppm/C, 1kHz 1.0Vrms
Dissipation Factor 0.1% 1 kHz 1.0Vrms
Aging Rate 0% Loss/Decade Hour
Insulation Resistance 100 GOhms

Statements of suitability for certain applications are based on our knowledge of typical operating conditions for such applications, but are not intended to constitute - and we specifically disclaim - any warranty concerning suitability for a specific customer application or use. This Information is intended for use only by customers who have the requisite experience and capability to determine the correct products for their application. Any technical advice inferred from this Information or otherwise provided by us with reference to the use of our products is given gratis, and we assume no obligation or liability for the advice given or results obtained.

Generated 5/18/2023 - ee73f327-555b-45c2-a4b6-bcab05a730e0

© 2006 - 2023 KEMET

Generated 5/18/2023 - ee73f327-555b-45c2-a4b6-bcab05a730e0

© 2006 - 2023 KEMET