



MADE
IN THE **USA**

Product Description:

- Bundle Includes:
 - LD-007 Protection System
 - Holds disposable or reusable gowns, aprons, or coveralls/jumpsuits, three boxes of gloves, and one box of earloop masks
 - Quartz Beige ABS Plastic
 - MB-600 Hanger - Door - Standard
 - Hooks over top of door no thicker than 2.44"
 - Quartz Beige Powder-Coated Steel

Primary Area for Product Usage:

- Anywhere protective equipment products are needed

Dispenses:

- Top: Box(es) no larger than 5.00"W x 10.00"H x 4.02"D (12.7 cm x 25.4 cm x 10.2 cm)
- Bottom left: Gowns, aprons or coveralls/jumpsuits no larger than 11.53"W x 15.05"H x 4.15"D (29.3 cm x 38.2 cm x 12.2 cm)
- Bottom right: Box(es) no larger than 4.88"W x 7.49"H x 4.25"D (12.4 cm x 19.0 cm x 10.8 cm)

Product Specifications (overall assembled dimensions):

- 16.63"W x 36.16"H x 7.05"D (42.2 cm x 91.8 cm x 17.9 cm)
- 5.0 lbs (2.3 kg) - approximated

Package Specifications:

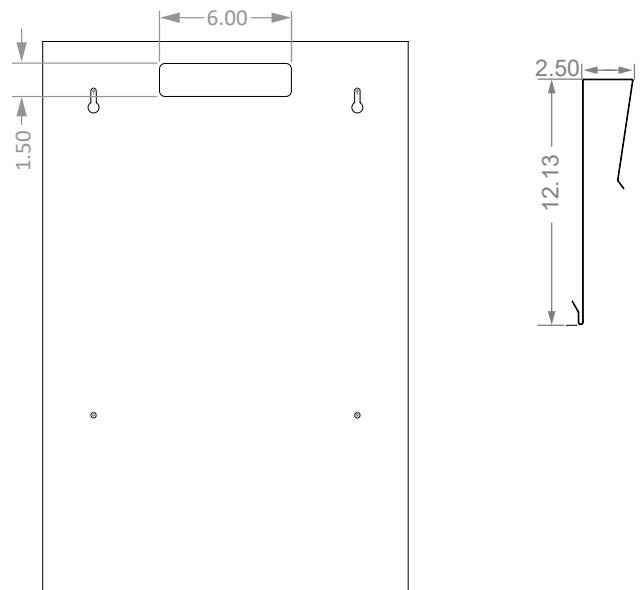
- Package Quantity: 1 per case
- 18"L x 6"W x 29"H (45.7 cm x 15.2 cm x 73.7 cm)
- 8.0 lbs (3.6 kg) - approximated



Consumables not included

Mounting Specifications:

- Left: Protection System, Right: Door Hanger



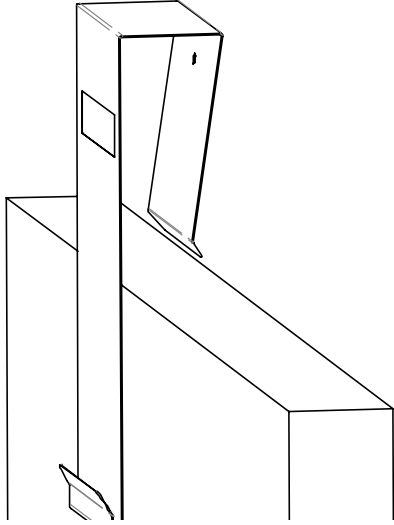


Installation

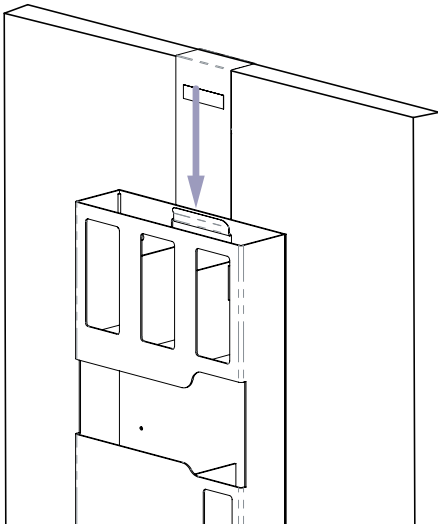
Always mount dispensers securely *prior* to loading with product.

- Proper Hanging Procedure:

- 1) Attach hanger securely - back of hanger must lay flush against surface.

**1**

- 1) Hang dispenser on hanger.
- 2) Load product in dispenser.
- 3) To remove, reverse order of steps.

**2****Parts included:**

- Protection System
- Hanger

Tools Required:

- No tools required to assemble dispenser

Care and Construction

ABS Plastic

Material Characteristics

Designed for Long-Term, Heavy-Duty Applications

The combination of copolymers (Acrylonitrile, Butadiene, and Styrene) gives ABS an excellent combination of strength, rigidity, and toughness.

ABS is chemical, stress-crack resistant, dimensionally stable, and will hold up to long-term use. It possesses high strength and performance characteristics at a reasonable cost.

Care and Cleaning

Use mild soap and water to clean. Petroleum-based oils, solvents, and paints should not be used.

Standard hospital cleaning supplies are approved for use on our ABS plastic products.

Powder-Coated Steel

Material Characteristics

Designed for Long-Term Use

Our steel dispensers and stands are coated with polyester powders which makes them highly resistant to corrosion.

Powder-coated steel is ideal for dispensers used in a healthcare or an industrial setting because it is impact resistant and is not effected by extremes in temperature.

Dispensers and stands made of powder-coated steel are both attractive and functional, providing years of service.

Care and Cleaning

For best results, clean by washing the surface with a diluted solution of a mild, non-abrasive detergent in cold or warm water and a non-abrasive cloth. Standard hospital cleaning supplies can be used.

Dry with a soft cloth. Do not use any solvent-based materials, abrasives (e.g. Scotch-brite, steel wool), or apply excessive force during cleaning.