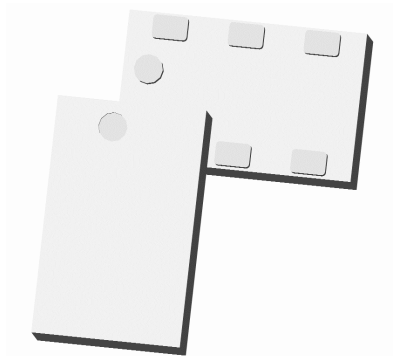




**Ultra Low Profile 0805 Balun
50Ω to 200Ω Balanced**



Description:

The BD1722J50200AHF is a low profile sub-miniature balanced to unbalanced transformer designed for differential inputs and output locations on next generation wireless chipsets in an easy to use surface mount package covering the DCS, PCS, UMTS and CDMA frequencies. The BD1722J50200AHF is ideal for high volume manufacturing and is higher performance than traditional ceramic and lumped element baluns. The BD1722J50200AHF has an unbalanced port impedance of 50Ω and a 200Ω balanced port impedance. This transformation enables single ended signals to be applied to differential ports on modern semiconductors. The output ports have equal amplitude (-3dB) with 180 degree phase differential. The BD1722J50200AHF is available on tape and reel for pick and place high volume manufacturing.

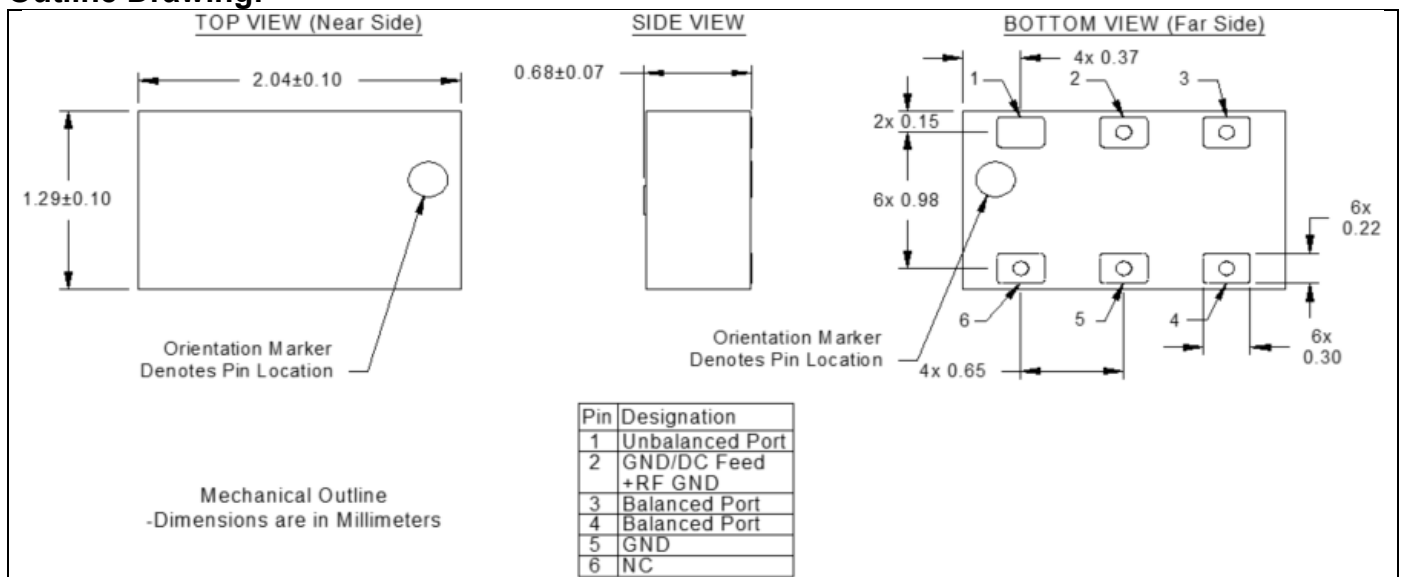
Detailed Electrical Specifications:

Specifications subject to change without notice

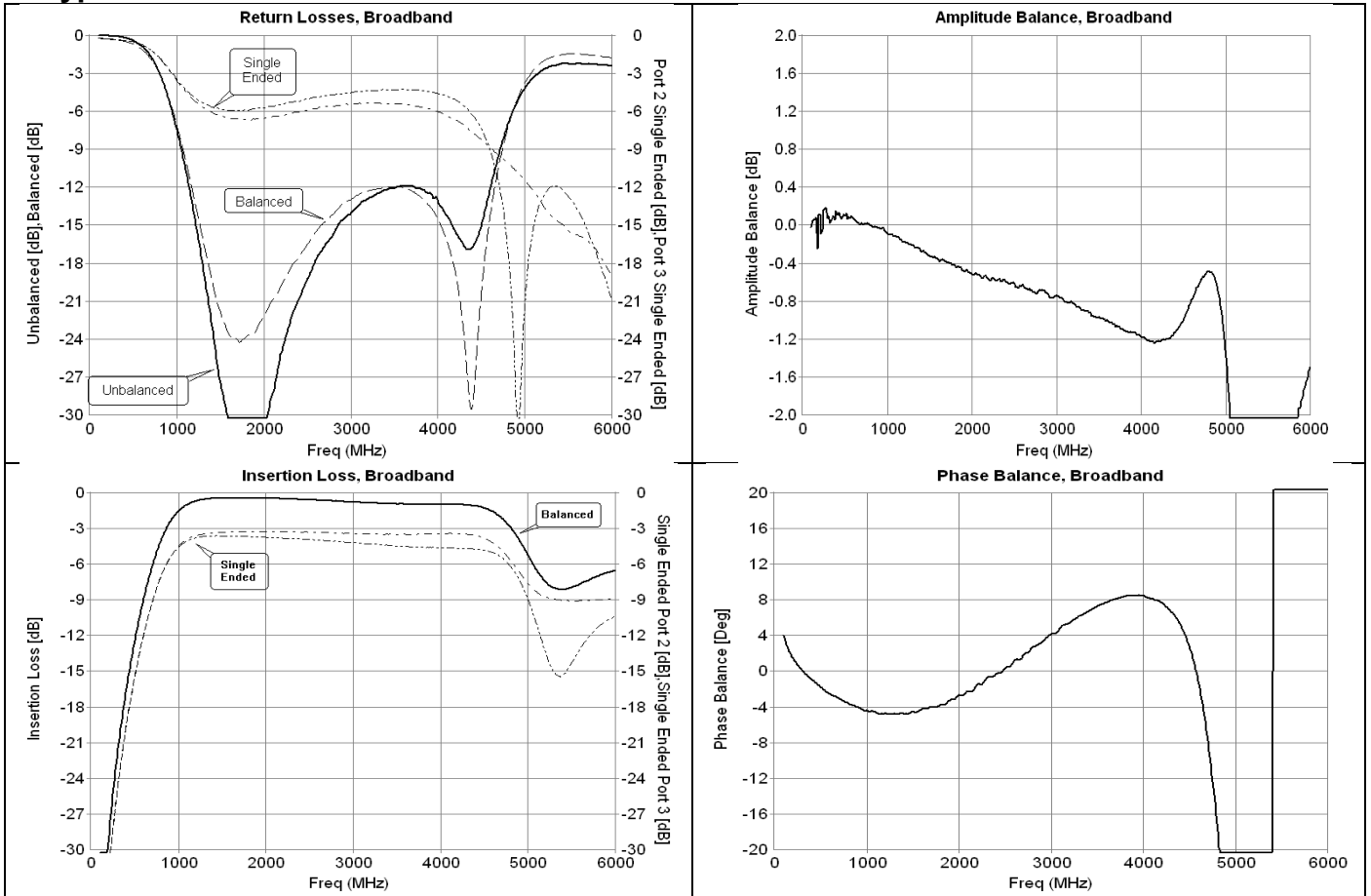
Features:	Parameter	ROOM (25°C)			Unit
		Min.	Typ.	Max	
• 1.7 – 2.2 GHz	Frequency	1.7		2.2	GHz
• 0.7mm Height Profile	Unbalanced Port Impedance		50		Ω
• 50 Ohm to 2 x 100 Ohm	Balanced Port Impedance		200		Ω
• DCS/PCS/ UMTS/CDMA	Return Loss	15	20		dB
• Low Insertion Loss	Insertion Loss*		0.5	0.7	dB
• Input to Output DC Isolation	Amplitude Balance		0.6	0.9	dB
• Surface Mountable	Phase Balance		4	8	Degrees
• Tape & Reel	Power Handling			2	Watts
• Non-conductive Surface	Operating Temperature	-55		+85	°C
• RoHS Compliant					
• Halogen Free					

*Insertion Loss stated at room temperature (Insertion Loss is approximately 0.1 dB higher at +85 °C)

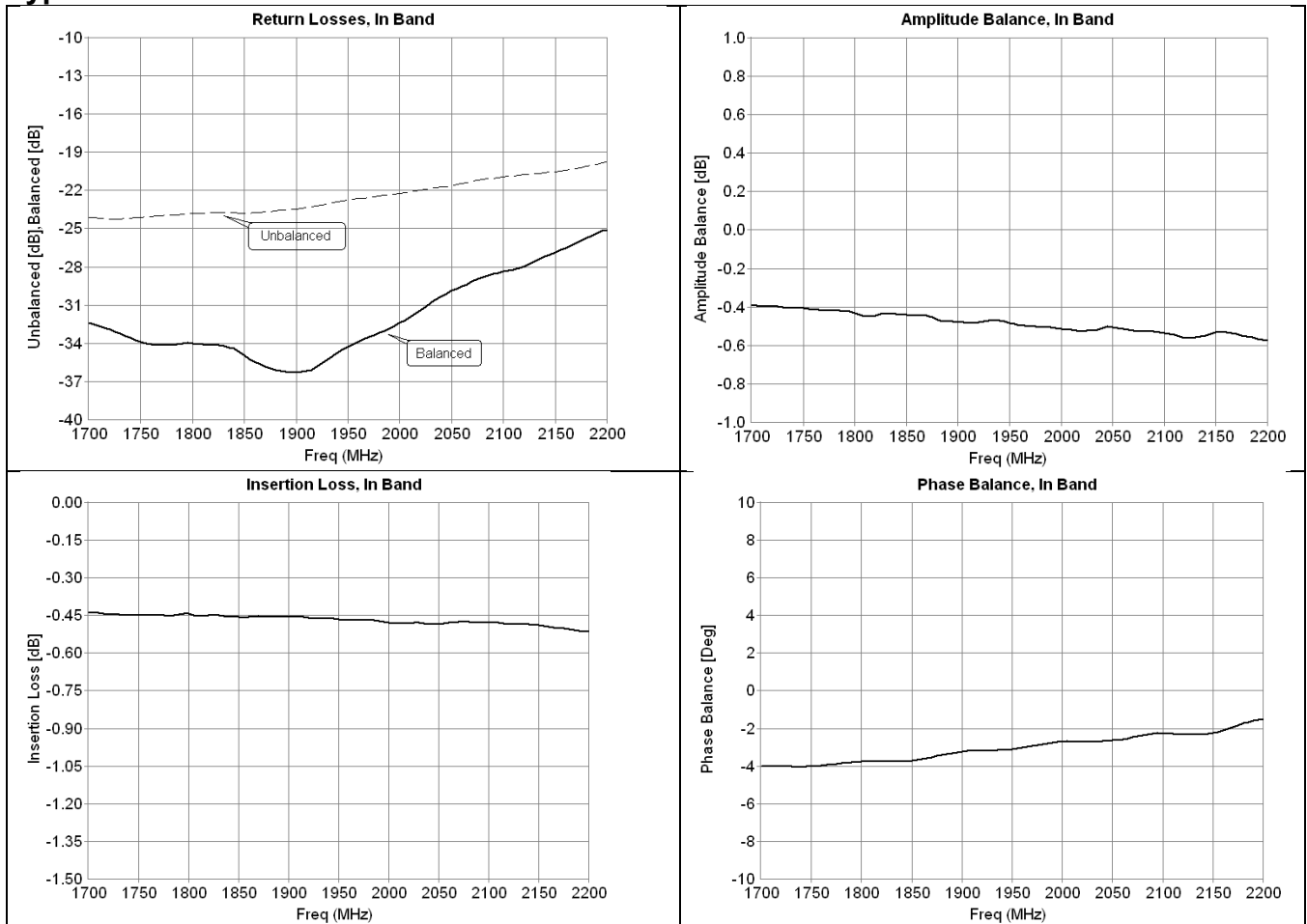
Outline Drawing:



Typical Broadband Performance: 0 MHz. to 6000 MHz.



Typical Performance: 1700 MHz. to 2200 MHz.

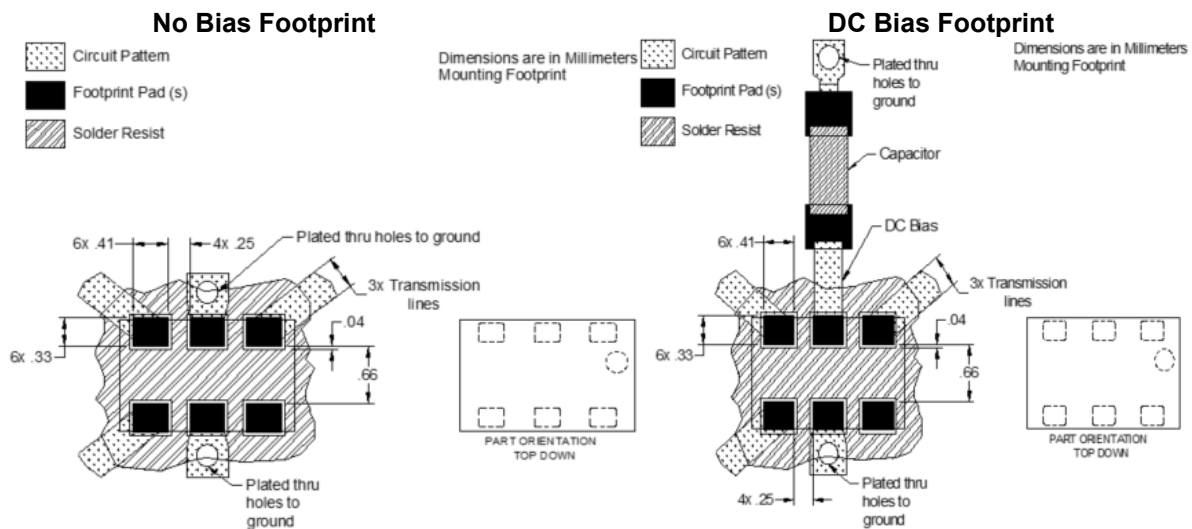


Mounting Configuration:

In order for Xinger surface mount components to work optimally, the proper impedance transmission lines must be used to connect to the RF ports. If this condition is not satisfied, insertion loss, Isolation and VSWR may not meet published specifications.

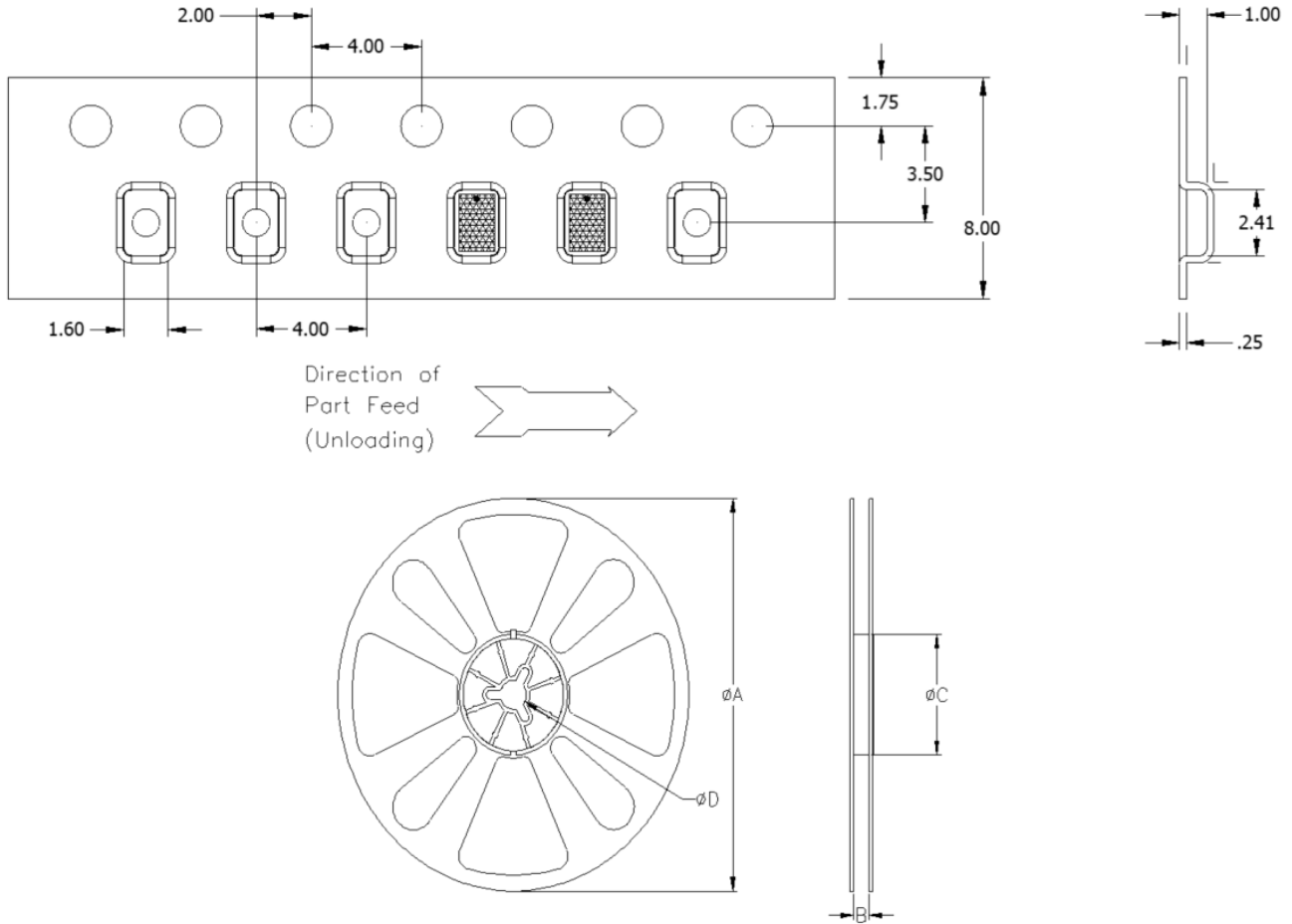
All of the Xinger components are constructed from organic PTFE based composites which possess excellent electrical and mechanical stability. Xinger components are compliant to a variety of ROHS and Green standards and ready for Pb-free soldering processes. Pads are Gold plated with a Nickel barrier.

An example of the PCB footprint used in the testing of these parts is shown on the next page. An example of a DC-biased footprint is also shown on the next page. In specific designs, the transmission line widths need to be adjusted to the unique dielectric coefficients and thicknesses as well as varying pick and place equipment tolerances.



Packaging and Ordering Information:

Parts are available in reel and are packaged per EIA 481-2. Parts are oriented in tape and reel as shown below. Minimum order quantities are 4000 per reel. See Model Numbers below for further ordering information.



Direction of Part Feed (Unloading) →

TABLE 1		
QUANTITY/REEL	REEL DIMENSIONS mm	
4000	øA	177.80
	B	8.00
	øC	50.80
	øD	13.00

Contact us:
rf&s_support@ttm.com