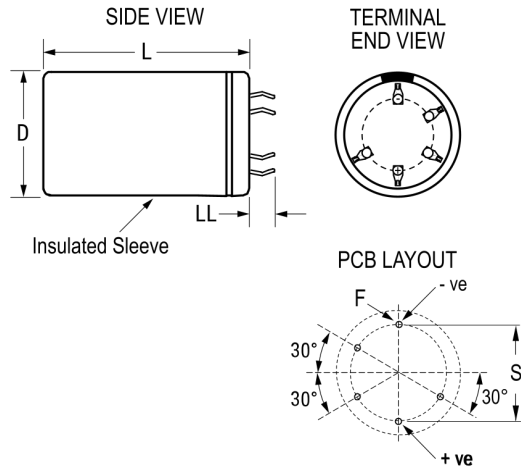


ALC70G682KP250

Aliases (A546KW682M250G)

ALC70, Aluminum Electrolytic, 6,800 uF, 20%, 250 VDC, -40/+85°C



Click [here](#) for the 3D model.

| Dimensions | |
|------------|---------------|
| D | 50mm +1mm |
| L | 105mm +/-2mm |
| S | 25mm +/-0.1mm |
| LL | 6.3mm +/-1mm |
| F | 2mm +/-0.1mm |

| Packaging Specifications | |
|--------------------------|-----------|
| Sleeving | Yes |
| Packaging | Bulk, Bag |

| General Information | |
|---------------------|--------------------------------------|
| Series | ALC70 |
| Dielectric | Aluminum Electrolytic |
| Description | Snap-In, Aluminum Electrolytic |
| RoHS | Yes |
| Lead | 5 Pin |
| AEC-Q200 | No |
| Halogen Free | Yes |
| Component Weight | 310 g |
| Notes | Dimensions D And L Include Sleeving. |
| Shelf Life | 156 Weeks |

| Specifications | |
|-----------------------|---|
| Capacitance | 6,800 uF |
| Capacitance Tolerance | 20% |
| Voltage DC | 250 VDC, 288 VDC (Surge) |
| Temperature Range | -40/+85°C |
| Rated Temperature | 85°C |
| Life | 18000 Hrs (Rated Voltage and Ripple Current at 85C), 29000 Hrs (Rated Voltage at 85C) |
| Resistance | 32.18 mOhms (100Hz 20C), 20.42 mOhms (10kHz 20C) |
| Ripple Current | 10.63 Amps (100Hz 85C), 16.84 Amps (10kHz 85C) |
| Leakage Current | 6000 uA (5min 20°C) |