

SDP Breakout Board User Guide

INTRODUCTION

This user guide is written for system engineers who use the system demonstration platform (SDP); it discusses how to use the SDP breakout board when designing SDP-compatible hardware and software.

The [ADZS-BRKOUT-EX3](#) SDP breakout board from Analog Devices, Inc., can be used in conjunction with SDP controller boards and daughter boards designed on the SDP system. The breakout board allows signals travelling between SDP controller boards and compatible daughter boards to be monitored by the insertion of the breakout board between the SDP controller board and the daughter board.

SDP controller boards are used as part of the evaluation system for many Analog Devices components. The SDP breakout board exposes each of the 120 pins of the SDP controller board's connector allowing users to monitor signals between the controlling board and the attached daughter evaluation board or Circuit from the Lab™ reference circuit board.

This user guide describes the SDP breakout board ([ADZS-BRKOUT-EX3](#)). The Getting Started section provides information on how to use the SDP breakout board as a debug tool for the SDP 120-pin connector signals. The Hardware Description section describes the [ADZS-BRKOUT-EX3](#) hardware. This includes details of the connectors on the board and how these signals are exposed. The [ADZS-BRKOUT-EX3](#) schematics are provided in the Schematic section.

TABLE OF CONTENTS

Introduction	1	PC Configuration	4
Revision History	2	Breakout Board Installation	4
Product Overview.....	3	Hardware Description.....	5
Technical or Customer Support.....	3	LEDs.....	5
Product Information	3	Through-Hole Probe Points.....	5
Regulatory Compliance	3	Connector Pin Assignments	6
Getting Started	4	Schematics	10
Package Contents.....	4		

REVISION HISTORY

9/11—Revision 0: Initial Version

PRODUCT OVERVIEW

The SDP breakout board features

- 4-pin × 120-pin small footprint connectors
- Hirose FX8-120P-SV1(91), 120-pin header
- Hirose FX8-120S-SV(21), 120-pin receptacle
- ID EEPROM
- 240 through-hole probe points

For more information, go to <http://www.analog.com/sdp>.

TECHNICAL OR CUSTOMER SUPPORT

You can reach Analog Devices, Inc., Customer Support in the following ways:

- Visit the SDP website at <http://www.analog.com/sdp>
- Email processor questions to processor.support@analog.com (worldwide support)
processor.europe@analog.com (Europe support)
processor.china@analog.com (China support)
- Phone questions to 1-800-ANALOGD
- Contact your Analog Devices local sales office or authorized distributor.
- Send questions by mail to:
Analog Devices, Inc.
Three Technology Way
P.O. Box 9106
Norwood, MA 02062-9106
USA

PRODUCT INFORMATION

Product information can be obtained from the Analog Devices website.

Analog Devices Website

The Analog Devices website, <http://www.analog.com>, provides information about a broad range of products—analogue integrated circuits, amplifiers, converters, and digital signal processors.

Note that [MyAnalog.com](http://www.analog.com) is a free feature of the Analog Devices website that allows customization of a web page to display only the latest information about products of interest to you. You can choose to receive weekly email notifications containing updates to the web pages that meet your interests, including documentation errata. [MyAnalog.com](http://www.analog.com) provides access to books, application notes, data sheets, code examples, and more.

Visit [MyAnalog.com](http://www.analog.com) to sign up. If you are a registered user, just log on. Your user name is your email address.

REGULATORY COMPLIANCE

The [ADZS-BRKOUT-EX3](#) is designed for use solely in a laboratory environment. The board is not intended for use as a consumer end product or as a portion of a consumer end product. The board is an open system design, which does not include a shielded enclosure and therefore may cause interference to other electrical devices in close proximity. This board should not be used in or near any medical equipment or RF devices. Store unused boards in the protective shipping package.

The [ADZS-BRKOUT-EX3](#) board has been certified to comply with the essential requirements of the European EMC directive 89/36/EC, amended by 93/68/EEC, and therefore carries the CE mark.

GETTING STARTED

This section provides specific information to assist you with using the SDP breakout board as part of an SDP system.

The following topics are covered.

- Package contents
- PC configuration
- Breakout board installation

PACKAGE CONTENTS

The [ADZS-BRKOUT-EX3](#) board package contains one [ADZS-BRKOUT-EX3](#) board.

Contact the vendor where you purchased the SDP breakout board or contact Analog Devices if this item is missing.

PC CONFIGURATION

For correct operation of an SDP controller board and SDP breakout board, your computer must have the following minimum configuration:

- Windows XP Service Pack 2 or Windows Vista®
- USB 2.0 port

BREAKOUT BOARD INSTALLATION

When removing the SDP breakout board from the package, handle the board carefully to avoid the discharge of static electricity, which can damage some components.

The SDP breakout board is designed for use with an SDP controller board. The SDP breakout board must be connected to a PC via the SDP controller board and a USB cable.

Figure 1 shows the SDP breakout board connected to an SDP-B controller board and a Circuit from the Lab reference circuit or component evaluation board.

The SDP breakout board exposes each of the 120 pins on the SDP-B board connector. The breakout board has a 120-pin receptacle connector (J1) which attaches to the 120-pin connector on the SDP controller board; it also has a 120-pin header connector (P1) for attaching SDP-compatible daughter boards to the system.

Pin 1 to Pin 30 and Pin 91 to Pin 120 from receptacle J1 are exposed in the P6 set of probe points. Pin 31 to Pin 90 are exposed in the P5 set of probe points. In this way, the SDP breakout board can be used to monitor signals traveling between the SDP controller board and the attached daughter board.

The SDP breakout board can also be used as a proof of concept tool through the insertion of pin headers in the exposed, relevant signal through-hole locations. These pin headers can be connected to existing hardware when building up a mock-up system prior to the design of SDP-specific hardware.



Figure 1. Connecting the SDP Breakout Board

09896-001

HARDWARE DESCRIPTION

This section describes the hardware design of the [ADZS-BRKOUT-EX3](#) board.

The following topics are covered.

- LEDs—This section describes the SDP breakout board LEDs.
- Through-hole probe points—This section provides layouts of through-hole probe points on the SDP breakout board.
- Connector Pin Assignments—This section details the pin assignments on the 120-pin connectors.

LEDS

There is a single LED located on the SDP breakout board. It is connected to the input power line on the 120-pin header connector on the SDP breakout board. Therefore, when power is provided from an attached daughter board, this LED is on. If there is no power coming through the VIN pin on P1, this LED remains off.

THROUGH-HOLE PROBE POINTS

The SDP breakout board contains 240 through-hole probe points, 2 × 120 pin receptacle connector and 2 × 120 pin header connectors. One of the 120-pin receptacle connectors (J1) can be used to connect to the 120-pin connector on the SDP controller board. One of the 120-pin header connectors (P1), on the back of the SDP board, can be used to connect to a daughter board (P1).

Figure 2 and Figure 3 show both sides of the SDP breakout board; the shading indicates the signal path from the receptacle to the header via the through-hole probe points. Connector J2 and P2 are for use with future Blackfin® EZ-Kit products.

The signal lines between these two connectors are exposed through the probe points on P3 and P4.

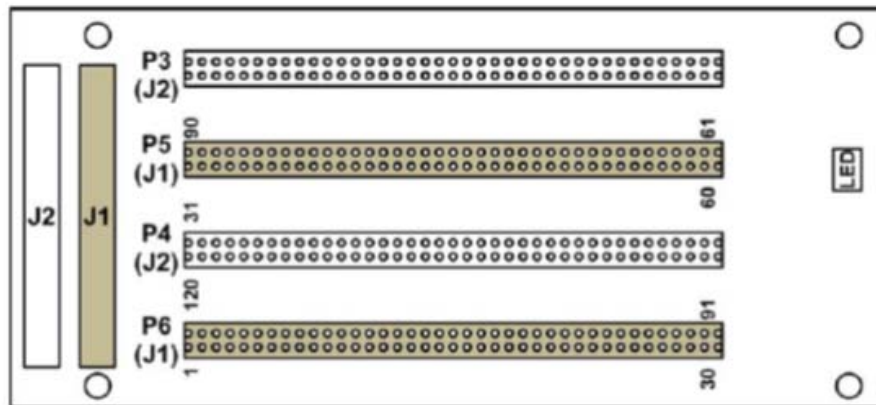


Figure 2. SDP Breakout Board—Top View

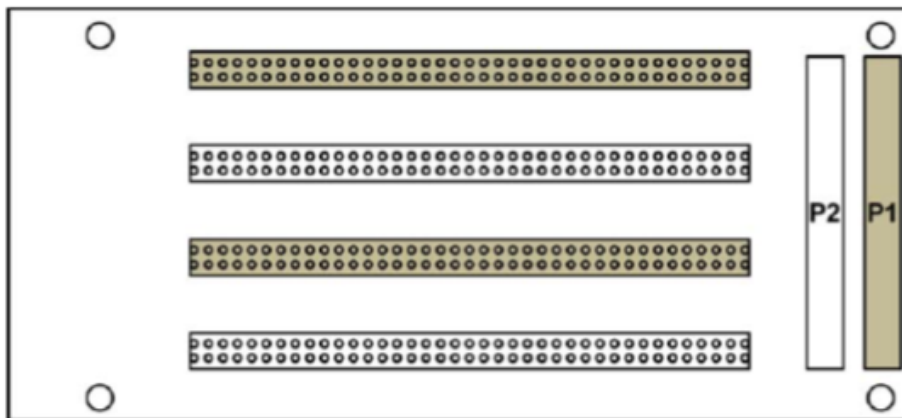


Figure 3. SDP Breakout Board—Bottom View

CONNECTOR PIN ASSIGNMENTS

The SDP breakout board should be connected to an SDP controller board via connector J1 and to an SDP daughter board via connector P1. With this configuration, pin assignments for P6 and P5 through-hole probe points are listed in Table 1.

Table 1. 120-Pin Connector Pin Assignments

Pin No.	Pin Name	Description
1	VIN	Power to SDP Board. Requires 200 mA at 5 V.
2	NC	No Connect. Leave this pin unconnected. Do not ground.
3	GND	Connect to ground plane of board.
4	GND	Connect to ground plane of board.
5	USB_VBUS	Connected directly to the USB +5 V supply.
6	GND	Connect to ground plane of board.
7	PAR_D23	Parallel Data Bus Bit 23. (No connect.) ¹
8	PAR_D21	Parallel Data Bus Bit 21. (No connect.) ¹
9	PAR_D19	Parallel Data Bus Bit 19. (No connect.) ¹
10	PAR_D17	Parallel Data Bus Bit 17. (No connect.) ¹
11	GND	Connect to ground plane of board.
12	PAR_D14	Parallel Data Bus Bit 14.
13	PAR_D13	Parallel Data Bus Bit 13.
14	PAR_D11	Parallel Data Bus Bit 11.
15	PAR_D9	Parallel Data Bus Bit 9.
16	PAR_D7	Parallel Data Bus Bit 7.
17	GND	Connect to ground plane of board.
18	PAR_D5	Parallel Data Bus Bit 5.
19	PAR_D3	Parallel Data Bus Bit 3.
20	PAR_D1	Parallel Data Bus Bit 1.
21	PAR_RD	Asynchronous Parallel Read Strobe.
22	PAR_CS	Asynchronous Parallel Chip Select.
23	GND	Connect to ground plane of board.
24	PAR_A3	Parallel Address Bus Bit 3.
25	PAR_A1	Parallel Address Bus Bit 1.
26	PAR_FS3	Synchronous (PPI) Parallel Frame Sync 3.
27	PAR_FS1	Synchronous (PPI) Parallel Frame Sync 1.
28	GND	Connect to ground plane of board.
29	SPORT_TDV0	SPI Data Line 3. (No connect.) ¹
30	SPORT_TDV1	SPI Data Line 2. (No connect.) ¹
31	SPORT_DR1	SPORT Data Receive 1. Secondary SPORT data into processor.
32	SPORT_DT1	SPORT Data Transmit 1. Secondary SPORT data from processor.
33	SPI_D2	SPORT Data Line. (No connect.) ¹
34	SPI_D3	SPORT Data Line. (No connect.) ¹
35	SERIAL_INT	Serial Interrupt. Used to trigger a nonperiodic serial event.
36	GND	Connect to ground plane of board.
37	SPI_SEL_B	SPI Chip Select B. Use this to control a second device on the SPI bus.
38	SPI_SEL_C	SPI Chip Select C. Use this for a third device on the SPI bus.
39	SPI_SEL1/SPI_SS	SPI Chip Select 1. Used to connect to SPI boot flash, if required. Also used as chip select when Blackfin processor is operating as SPI slave.
40	GND	Connect to ground plane of board.
41	SDA_1	I ² C Data 1.
42	SCL_1	I ² C Data 1.
43	GPIO0	General-Purpose Input/Output.
44	GPIO2	General-Purpose Input/Output.
45	GPIO4	General-Purpose Input/Output.
46	GND	Connect to ground plane of board.

Pin No.	Pin Name	Description
47	GPIO6	General-Purpose Input/Output.
48	TMR_A	Timer A Flag Pin. Use as first timer, if required.
49	TMR_C	Timer C Flag Pin.1 (No connect.)
50	NC	No Connect. Leave this pin unconnected. Do not ground.
51	NC	No Connect. Leave this pin unconnected. Do not ground.
52	GND	Connect to ground plane of board.
53	NC	No Connect. Leave this pin unconnected. Do not ground.
54	NC	No Connect. Leave this pin unconnected. Do not ground.
55	NC	No Connect. Leave this pin unconnected. Do not ground.
56	EEPROM_A0	EEPROM A0. Connect to A0 Address line of the EEPROM.
57	RESET_OUT	Active low reset signal from processor board.
58	GND	Connect to ground plane of board.
59	UART_RX	UART Receive Data.
60	RESET_IN	Active low pin to reset controller board.
61	BMODE1	Boot Mode 1. Pull up with 10 kΩ resistor to set SDP to boot from SPI Flash. Enabled on Connector A only.
62	UART_TX	UART Transmit Data.
63	GND	Connect to ground plane of board.
64	SLEEP	Active low sleep from processor board.
65	WAKE	External wake up to processor board.
66	NC	No Connect. Leave this pin unconnected. Do not ground.
67	NC	No Connect. Leave this pin unconnected. Do not ground.
68	NC	No Connect. Leave this pin unconnected. Do not ground.
69	GND	Connect to ground plane of board.
70	NC	No Connect. Leave this pin unconnected. Do not ground.
71	CLKOUT	CLKOUT from processor.
72	TMR_D	Timer D Flag Pin.
73	TMR_B	Timer B Flag Pin. Use as second timer, if required.
74	GPIO7	General-Purpose Input/Output.
75	GND	Connect to ground plane of board.
76	GPIO5	General-Purpose Input/Output.
77	GPIO3	General-Purpose Input/Output.
78	GPIO1	General-Purpose Input/Output.
79	SCL_0	I ² C Clock 0. Daughter board EEPROM must be connected to this bus.
80	SDA_0	I ² C Data 0. Daughter board EEPROM must be connected to this bus.
81	GND	Connect to ground plane of board.
82	SPI_CLK	SPI Clock.
83	SPI_MISO	SPI Master In, Slave Out Data.
84	SPI_MOSI	SPI Master Out, Slave In Data.
85	SPI_SEL_A	SPI Chip Select A. Use this to control the first device on the SPI bus.
86	GND	Connect to ground plane of board.
87	SPORT_TSCLK	SPORT Transmit Clock.
88	SPORT_DT0	SPORT Data Transmit 0. Primary SPORT data from processor.
89	SPORT_TFS	SPORT Transmit Frame Sync.
90	SPORT_RFS	SPORT Receive Frame Sync.
91	SPORT_DR0	SPORT Data Receive 0. Primary SPORT data into processor.
92	SPORT_RSCLK	SPORT Receive Clock.
93	GND	Connect to ground plane of board.
94	PAR_CLK	Clock for Synchronous Parallel Interface (PPI).
95	PAR_FS2	Synchronous (PPI) Parallel Frame Sync 2.
96	PAR_A0	Parallel Address Bus Bit 0.
97	PAR_A2	Parallel Address Bus Bit 2.
98	GND	Connect to ground plane of board.
99	PAR_INT	Parallel Interrupt. Used to trigger a nonperiodic parallel event.

Pin No.	Pin Name	Description
100	PAR_WR	Asynchronous Parallel Write Strobe.
101	PAR_D0	Parallel Data Bus Bit 0.
102	PAR_D2	Parallel Data Bus Bit 2.
103	PAR_D4	Parallel Data Bus Bit 4.
104	GND	Connect to ground plane of board.
105	PAR_D6	Parallel Data Bus Bit 6.
106	PAR_D8	Parallel Data Bus Bit 8.
107	PAR_D10	Parallel Data Bus Bit 10.
108	PAR_D12	Parallel Data Bus Bit 12.
109	GND	Connect to ground plane of board.
110	PAR_D15	Parallel Data Bus Bit 15.
111	PAR_D16	Parallel Data Bus Bit 16.1 (No connect.) ¹
112	PAR_D18	Parallel Data Bus Bit 18.1 (No connect.) ¹
113	PAR_D20	Parallel Data Bus Bit 20.1 (No connect.) ¹
114	PAR_D22	Parallel Data Bus Bit 22. (No connect.) ¹
115	GND	Connect to ground plane of board.
116	VIO (+3.3 V)	+3.3 V Output. 20 mA maximum current available to power IO voltage on daughter board.
117	GND	Connect to ground plane of board.
118	GND	Connect to ground plane of board.
119	NC	No Connect. Leave this pin unconnected. Do not ground.
120	NC	No Connect. Leave this pin unconnected. Do not ground.

¹ Functionality not implemented on the SDP board.

Each interface provided by the SDP is available on unique pins of the SDP 120-pin connector. The connector pin numbering scheme is outlined in Figure 4.

60	RESET_IN		BMODE1	61
59	UART_RX		UART_TX	62
58	GND		GND	63
57	RESET_OUT		SLEEP	64
56	EEPROM_A0	SDP	WAKE	65
55	NC	STANDARD		66
54	NC	CONNECTOR	NC	67
53	NC		NC	68
52	NC		NC	69
51	GND		GND	70
50	NC		NC	71
49	NC		NC	72
48	TMR_C*	TIMERS	TMR_D	73
47	TMR_A		TMR_B	74
46	GPIO6		GPIO7	75
45	GND	GENERAL	GND	76
44	GPIO4	INPUT/OUTPUT	GPIO5	77
43	GPIO2		GPIO3	78
42	GPIO0		GPIO1	79
41	SCL_1	I2C	SCL_0	80
40	SDA_1		SDA_0	81
39	GND		GND	82
38	SPI_SEL1/SPI_SS		SPI_CLK	83
37	SPI_SEL_C	SPI	SPI_MISO	84
36	SPI_SEL_B		SPI_MOSI	85
35	GND		SPI_SEL_A	86
34	SERIAL_INT		GND	87
33	SPI_D3*	SPORT	SPORT_TSCLK	88
32	SPI_D2*		SPORT_DT0	89
31	SPORT_DT1		SPORT_TFS	90
30	SPORT_DR1		SPORT_RFS	91
29	SPORT_TDV1*		SPORT_DR0	92
28	SPORT_TDV0*		SPORT_RSCLK	93
27	GND		GND	94
26	PAR_FS1		PAR_CLK	95
25	PAR_FS3		PAR_FS2	96
24	PAR_A1		PAR_A0	97
23	PAR_A3		PAR_A2	98
22	GND		GND	99
21	PAR_CS		PAR_INT	100
20	PAR_RD		PAR_WR	101
19	PAR_D1	PARALLEL	PAR_D0	102
18	PAR_D3	PORT	PAR_D2	103
17	PAR_D5		PAR_D4	104
16	GND		GND	105
15	PAR_D7		PAR_D6	106
14	PAR_D9		PAR_D8	107
13	PAR_D11		PAR_D10	108
12	PAR_D13		PAR_D12	109
11	PAR_D14		GND	110
10	GND		PAR_D15	111
9	PAR_D17 *		* PAR_D16	112
8	PAR_D19 *		* PAR_D18	113
7	PAR_D21 *		* PAR_D20	114
6	PAR_D23 *		* PAR_D22	115
5	GND		GND	116
4	USB_VBUS		VIO(+3.3V)	117
3	GND		GND	118
2	GND		GND	119
1	NC		NC	120
1	VIN	*NC ON BLACKFIN SDP	NC	120

09896-004

Figure 4. 120-Pin Connector Outline

SCHEMATICS

This section provides the schematic drawings for the [ADZS-BRKOUT-EX3](#) board. The schematic pages include

- SDP breakout board—EI3 connectors
- SDP breakout board—probing connectors
- SDP breakout board—EEPROM and power

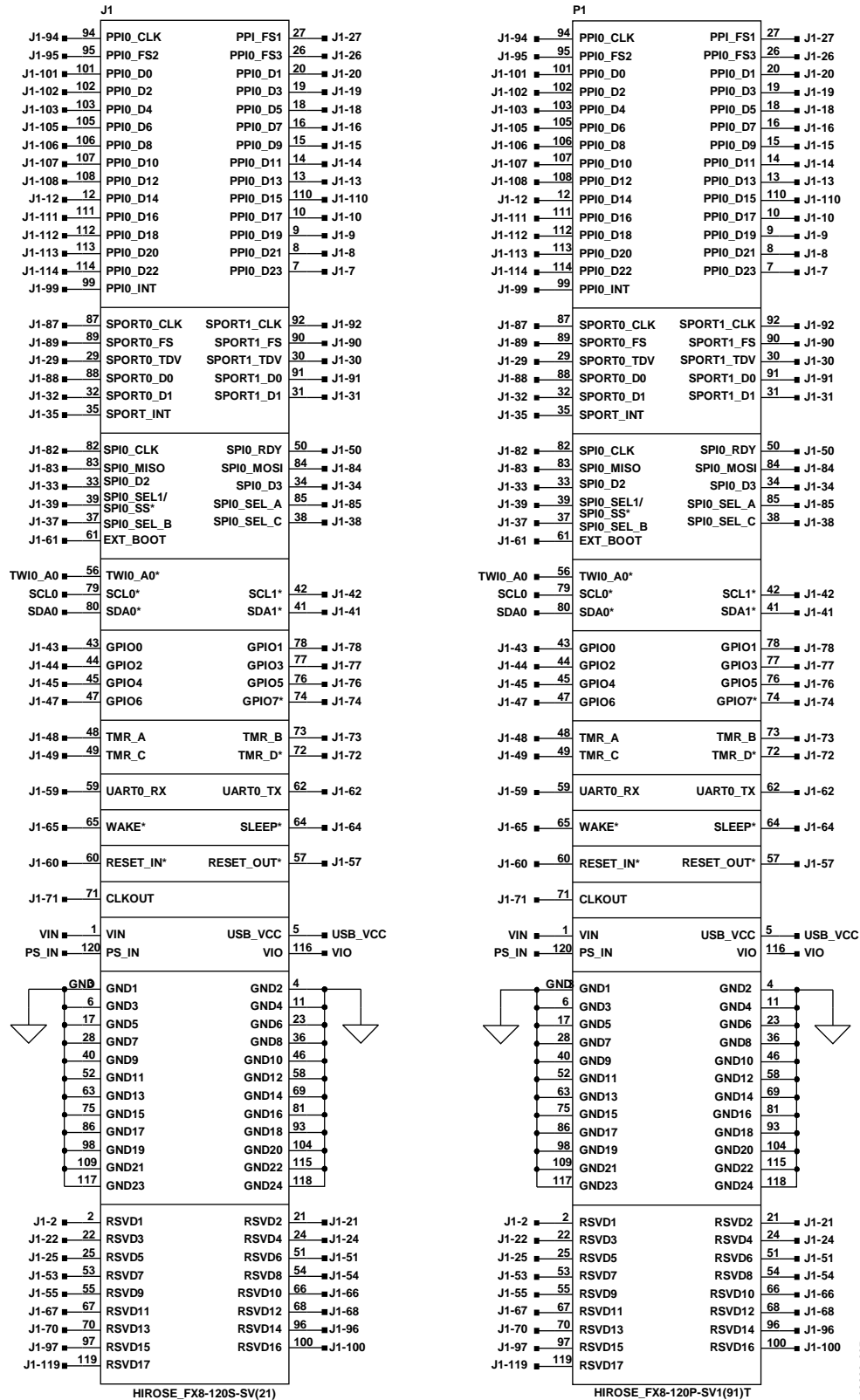


Figure 5. SDP Breakout Board—E13 Connectors

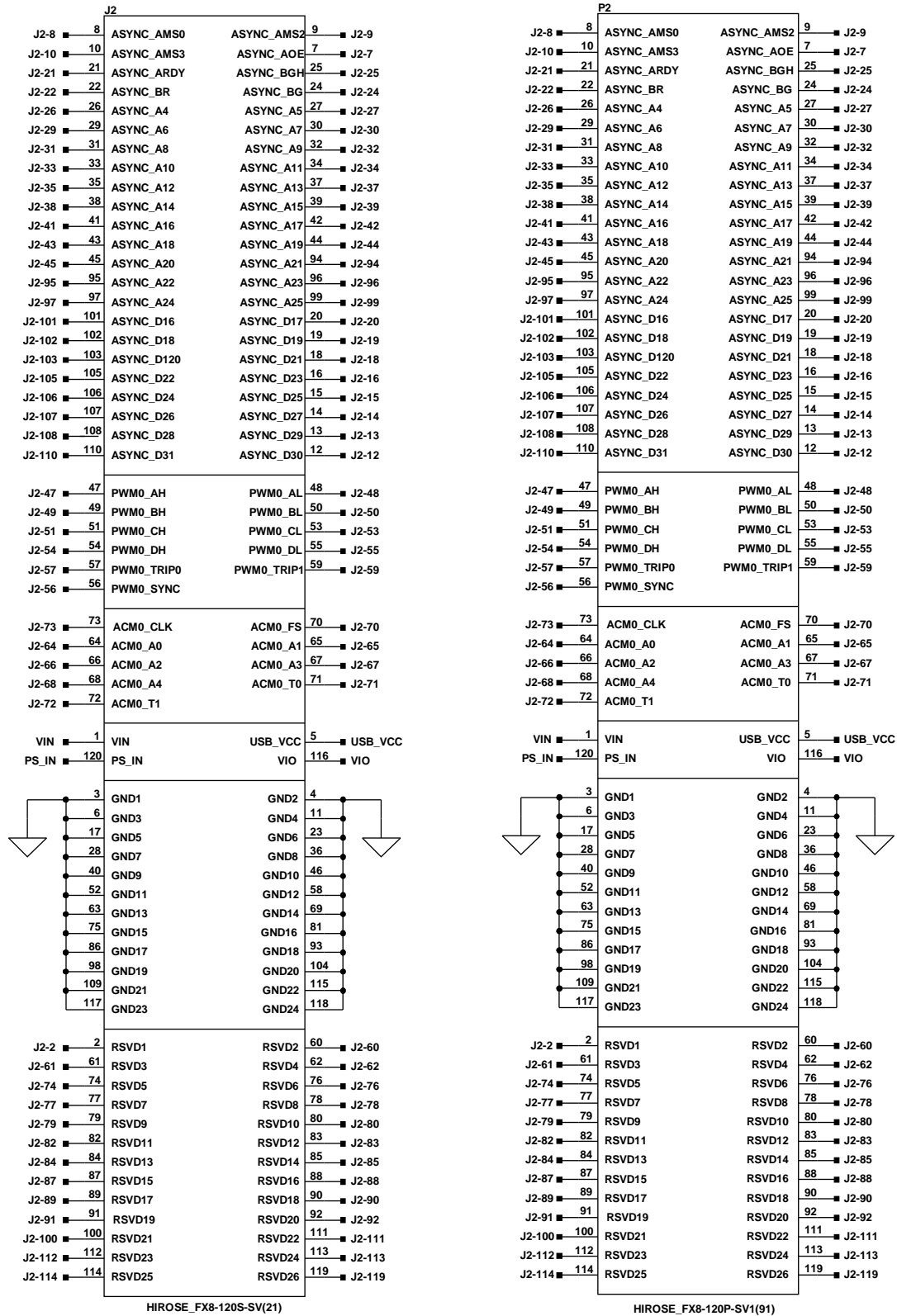


Figure 6. SDP Breakout Board—Probing Connectors

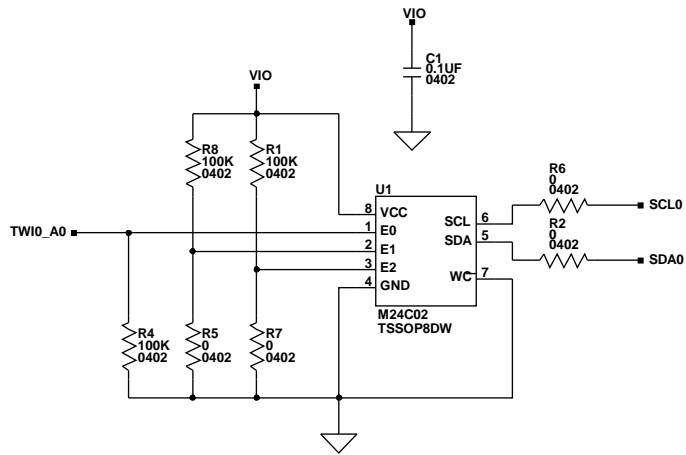
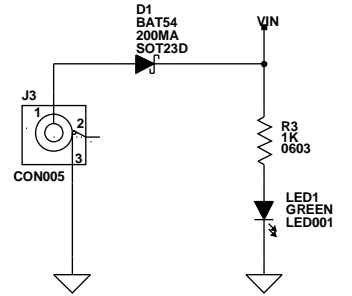


Figure 7. SDP Breakout Board—EEPROM and Power



09896-007

NOTES

NOTES

NOTES

**ESD Caution**

ESD (electrostatic discharge) sensitive device. Charged devices and circuit boards can discharge without detection. Although this product features patented or proprietary protection circuitry, damage may occur on devices subjected to high energy ESD. Therefore, proper ESD precautions should be taken to avoid performance degradation or loss of functionality.

Legal Terms and Conditions

By using the evaluation board discussed herein (together with any tools, components documentation or support materials, the "Evaluation Board"), you are agreeing to be bound by the terms and conditions set forth below ("Agreement") unless you have purchased the Evaluation Board, in which case the Analog Devices Standard Terms and Conditions of Sale shall govern. Do not use the Evaluation Board until you have read and agreed to the Agreement. Your use of the Evaluation Board shall signify your acceptance of the Agreement. This Agreement is made by and between you ("Customer") and Analog Devices, Inc. ("ADI"), with its principal place of business at One Technology Way, Norwood, MA 02062, USA. Subject to the terms and conditions of the Agreement, ADI hereby grants to Customer a free, limited, personal, temporary, non-exclusive, non-sublicensable, non-transferable license to use the Evaluation Board FOR EVALUATION PURPOSES ONLY. Customer understands and agrees that the Evaluation Board is provided for the sole and exclusive purpose referenced above, and agrees not to use the Evaluation Board for any other purpose. Furthermore, the license granted is expressly made subject to the following additional limitations: Customer shall not (i) rent, lease, display, sell, transfer, assign, sublicense, or distribute the Evaluation Board; and (ii) permit any Third Party to access the Evaluation Board. As used herein, the term "Third Party" includes any entity other than ADI, Customer, their employees, affiliates and in-house consultants. The Evaluation Board is NOT sold to Customer; all rights not expressly granted herein, including ownership of the Evaluation Board, are reserved by ADI. CONFIDENTIALITY. This Agreement and the Evaluation Board shall all be considered the confidential and proprietary information of ADI. Customer may not disclose or transfer any portion of the Evaluation Board to any other party for any reason. Upon discontinuation of use of the Evaluation Board or termination of this Agreement, Customer agrees to promptly return the Evaluation Board to ADI. ADDITIONAL RESTRICTIONS. Customer may not disassemble, decompile or reverse engineer chips on the Evaluation Board. Customer shall inform ADI of any occurred damages or any modifications or alterations it makes to the Evaluation Board, including but not limited to soldering or any other activity that affects the material content of the Evaluation Board. Modifications to the Evaluation Board must comply with applicable law, including but not limited to the RoHS Directive. TERMINATION. ADI may terminate this Agreement at any time upon giving written notice to Customer. Customer agrees to return to ADI the Evaluation Board at that time. LIMITATION OF LIABILITY. THE EVALUATION BOARD PROVIDED HEREUNDER IS PROVIDED "AS IS" AND ADI MAKES NO WARRANTIES OR REPRESENTATIONS OF ANY KIND WITH RESPECT TO IT. ADI SPECIFICALLY DISCLAIMS ANY REPRESENTATIONS, ENDORSEMENTS, GUARANTEES, OR WARRANTIES, EXPRESS OR IMPLIED, RELATED TO THE EVALUATION BOARD INCLUDING, BUT NOT LIMITED TO, THE IMPLIED WARRANTY OF MERCHANTABILITY, TITLE, FITNESS FOR A PARTICULAR PURPOSE OR NON-INFRINGEMENT OF INTELLECTUAL PROPERTY RIGHTS. IN NO EVENT WILL ADI AND ITS LICENSORS BE LIABLE FOR ANY INCIDENTAL, SPECIAL, INDIRECT, OR CONSEQUENTIAL DAMAGES RESULTING FROM CUSTOMER'S POSSESSION OR USE OF THE EVALUATION BOARD, INCLUDING BUT NOT LIMITED TO LOST PROFITS, DELAY COSTS, LABOR COSTS OR LOSS OF GOODWILL. ADI'S TOTAL LIABILITY FROM ANY AND ALL CAUSES SHALL BE LIMITED TO THE AMOUNT OF ONE HUNDRED US DOLLARS (\$100,000). EXPORT. Customer agrees that it will not directly or indirectly export the Evaluation Board to another country, and that it will comply with all applicable United States federal laws and regulations relating to exports. GOVERNING LAW. This Agreement shall be governed by and construed in accordance with the substantive laws of the Commonwealth of Massachusetts (excluding conflict of law rules). Any legal action regarding this Agreement will be heard in the state or federal courts having jurisdiction in Suffolk County, Massachusetts, and Customer hereby submits to the personal jurisdiction and venue of such courts. The United Nations Convention on Contracts for the International Sale of Goods shall not apply to this Agreement and is expressly disclaimed.