



PRODUCT CHANGE NOTIFICATION (PCN)

ISSUE DATE: 25/4/2022
MODIFICATION / REVISION DATE: 25/4/2022

A-MCSP-80070/Y MODULAR CABLE

CHANGE NOTIFICATION:	PCN 20220425_A-MCSP-80070/Y
DESCRIPTION OF CHANGES:	CHANGE OF DATA SHEET CHANGE OF DATA SHEET New Draw.-No. ASS_7425_CArev07
REASON FOR CHANGE:	CHANGE OF PRODUCT LOCATION CHANGE OF PRODUCT LOCATION
KEY CHARACTERISTICS OF CHANGE:	Details see page 3
PRODUCTS AFFECTED:	A-MCSP-80070/Y
DATE OF CHANGE AND IMPLEMENTATION:	CHANGE: WEEK 18 / YEAR 2022 IMPLEMENTATION: 25/4/2022
RESPONSE:	NO RESPONSE TO THIS NOTIFICATION IS REQUIRED

PCN REVISION HISTORY:

DATE OF REVISION: 25/4/2022

REVISION NUMBER: 00

page 1/



Auf dem Schüffel 1
 D-58513 Lüdenscheid
 Tel.: +49-2351 - 554-200
 Fax +49 (2351) 554-861
 info@assmann-wsw.com
 www.assmann-wsw.com

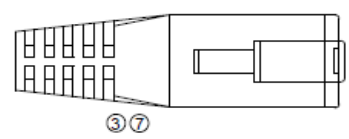
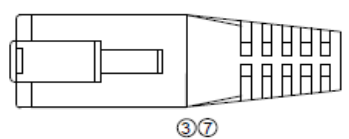
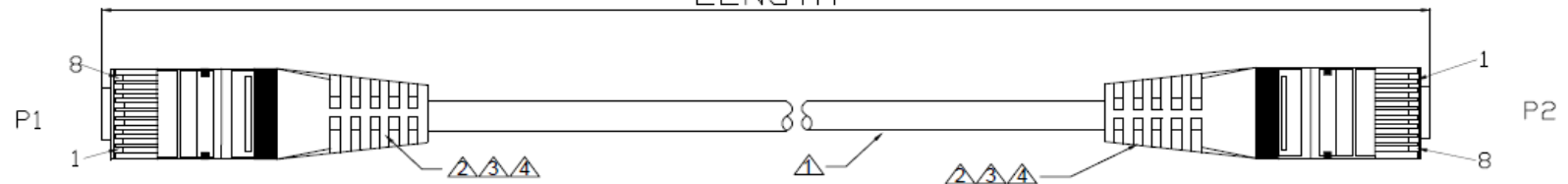
PRODUCT CHANGE NOTIFICATION (PCN)

ISSUE DATE: 25/4/2022
 MODIFICATION / REVISION DATE: 25/4/2022

A-MCSP-80070/Y	OLD VERSION	A-MCSP-80070/Y	NEW VERSION																																																						
<p>Appearance</p>		<p>Appearance</p>																																																							
<p>BOM</p> <table border="1"> <thead> <tr> <th></th> <th>NO</th> <th>PART NO</th> <th>DESCRIPTION</th> <th>QTY</th> <th>UNIT</th> </tr> </thead> <tbody> <tr> <td></td> <td>3</td> <td>mold</td> <td>PVC,50P</td> <td>9.0</td> <td>G</td> </tr> <tr> <td></td> <td>2</td> <td>plug</td> <td>8P8C plating gold 3U" with metal shield</td> <td>2</td> <td>PCS</td> </tr> <tr> <td>⑤</td> <td>1</td> <td>cable</td> <td>FTP (26AWG*1P)*4+D+A+PVC, OD:5.2±0.2mm CAT5E</td> <td>2.0</td> <td>M</td> </tr> </tbody> </table>			NO	PART NO	DESCRIPTION	QTY	UNIT		3	mold	PVC,50P	9.0	G		2	plug	8P8C plating gold 3U" with metal shield	2	PCS	⑤	1	cable	FTP (26AWG*1P)*4+D+A+PVC, OD:5.2±0.2mm CAT5E	2.0	M	<p>BOM</p> <table border="1"> <thead> <tr> <th></th> <th>NO</th> <th>PART NO</th> <th>DESCRIPTION</th> <th>QTY</th> <th>UNIT</th> </tr> </thead> <tbody> <tr> <td>⑦</td> <td>①</td> <td>AL-Foil</td> <td>Double-sided conductive aluminum foil</td> <td>2</td> <td>PCS</td> </tr> <tr> <td></td> <td>②</td> <td>mold</td> <td>PVC,65P</td> <td>AR</td> <td>G</td> </tr> <tr> <td></td> <td>③</td> <td>plug</td> <td>8P8C plating gold 3U" with metal shield</td> <td>2</td> <td>PCS</td> </tr> <tr> <td>⑦</td> <td>⑤</td> <td>cable</td> <td>CAT5E F/UTP (26AWG*1P)*4+D+A+PVC, OD:5.2±0.2mm</td> <td>AR</td> <td>M</td> </tr> </tbody> </table>			NO	PART NO	DESCRIPTION	QTY	UNIT	⑦	①	AL-Foil	Double-sided conductive aluminum foil	2	PCS		②	mold	PVC,65P	AR	G		③	plug	8P8C plating gold 3U" with metal shield	2	PCS	⑦	⑤	cable	CAT5E F/UTP (26AWG*1P)*4+D+A+PVC, OD:5.2±0.2mm	AR	M
	NO	PART NO	DESCRIPTION	QTY	UNIT																																																				
	3	mold	PVC,50P	9.0	G																																																				
	2	plug	8P8C plating gold 3U" with metal shield	2	PCS																																																				
⑤	1	cable	FTP (26AWG*1P)*4+D+A+PVC, OD:5.2±0.2mm CAT5E	2.0	M																																																				
	NO	PART NO	DESCRIPTION	QTY	UNIT																																																				
⑦	①	AL-Foil	Double-sided conductive aluminum foil	2	PCS																																																				
	②	mold	PVC,65P	AR	G																																																				
	③	plug	8P8C plating gold 3U" with metal shield	2	PCS																																																				
⑦	⑤	cable	CAT5E F/UTP (26AWG*1P)*4+D+A+PVC, OD:5.2±0.2mm	AR	M																																																				
FOR DETAIL, PLEASE TAKE ATTACHED NEW DRAWING: FOR REFERENCE																																																									

1 2 3 4 5 6 7

LENGTH



Order Code:

① A-MCSP-80XXX : color Grey

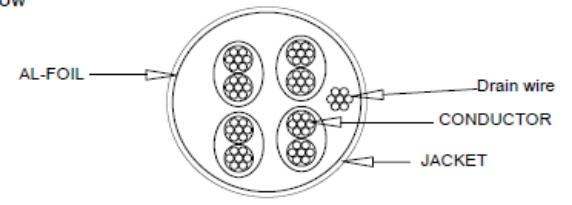
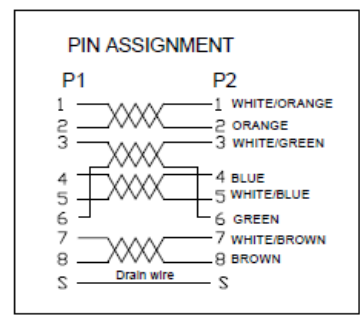
④② Order lengths in meter: 0.3,0.5,1,2,3,5,7,10,15,20,30

A-MCSP-80XXX/X

④② Order lengths in meter: 0.3,0.5,1,2,3,5,7,10,15,20,30
Order color:(R)Red,(Y)Yellow (G)Green,(B)Blue

⑥② TOLERANCE

Length(meter)	Max-M	Min-M
0.3	+0.03	-0.025
0.5	+0.03	-0.025
1	+0.04	-0.035
2	+0.06	-0.06
3	+0.09	-0.09
5	+0.15	-0.15
7	+0.21	-0.21
10	+0.3	-0.3
15	+0.45	-0.45
20	+0.6	-0.6
30	+0.9	-0.9



Electrical
100% short,open,miswire test

NO	PART NO	DESCRIPTION	QTY	UNIT
⑦	④	AL-Foil Double-sided conductive aluminum foil	2	PCS
⑦	④	mold PVC,65P	AR	G
⑦	④	plug 8P8C plating gold 3U* with metal shield	2	PCS
⑦⑤	④	cable CAT5E F/UTP (26AWG*1P)*4+D+A+PVC, OD:5.2±0.2mm	AR	M

RoHS compliant
Unit:: mm

Scale	FREE	⑦	Change the plant	12.04.2022	Luca	Date	Name	Customer-No.
TOLERANCE		⑥	Clarify the tolerance	23.08.2018	Segal	Drawn	26.06.2015	Joanna
X.	±X	⑤	Add "CAT5E"	20.10.2017	Stephon	Approved	12.04.2022	Luca
X.X	±X	④	Add length for 20M and 30M	20.09.2017	Fred			
X.XX	±X	③	remove mark on the mould	29.06.2016	Joanna			
DIM	TOL	②	Add length for 300mm	18.05.2015	Joanna			
ANGLE	±X°	Id.	Modification	Date	Name			
Angle	TOL							

ASSMANN WSW-No. A-MCSP-80XXX/X	
Drawing-No. ASS 7425 CA	rev07
Replace	Sheet

1 2 3 4 5 6 7