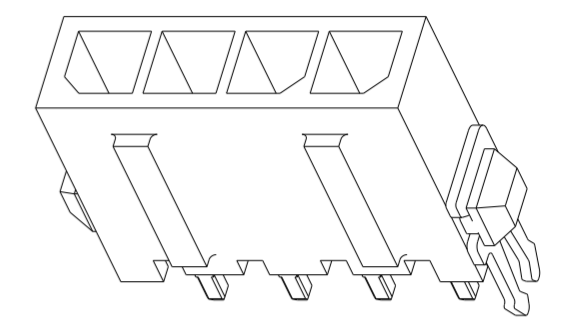
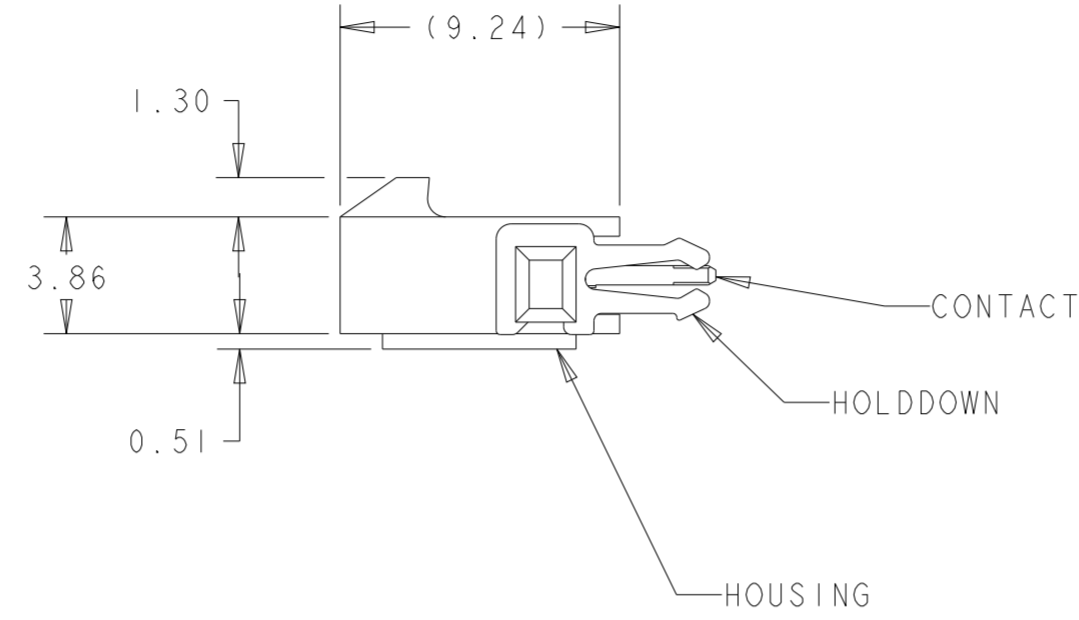
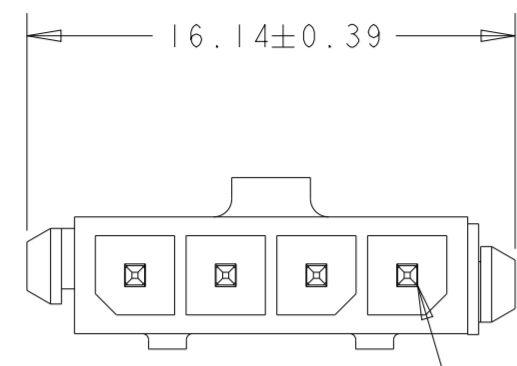
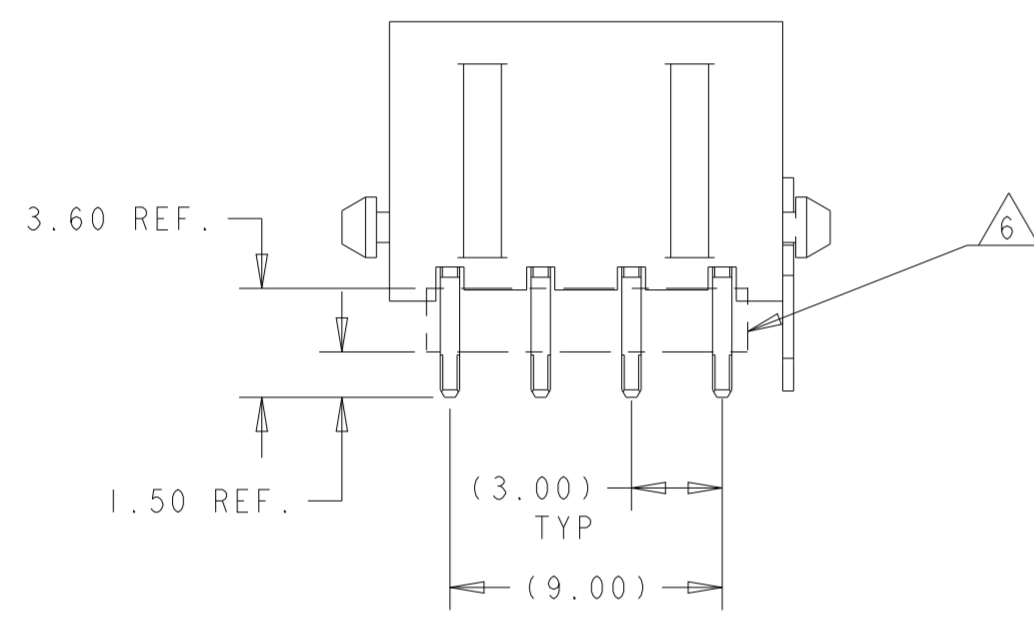


THIS DRAWING IS UNPUBLISHED. RELEASED FOR PUBLICATION 2012
 © COPYRIGHT 2012 Tyco Electronics AMP GmbH ALL RIGHTS RESERVED.

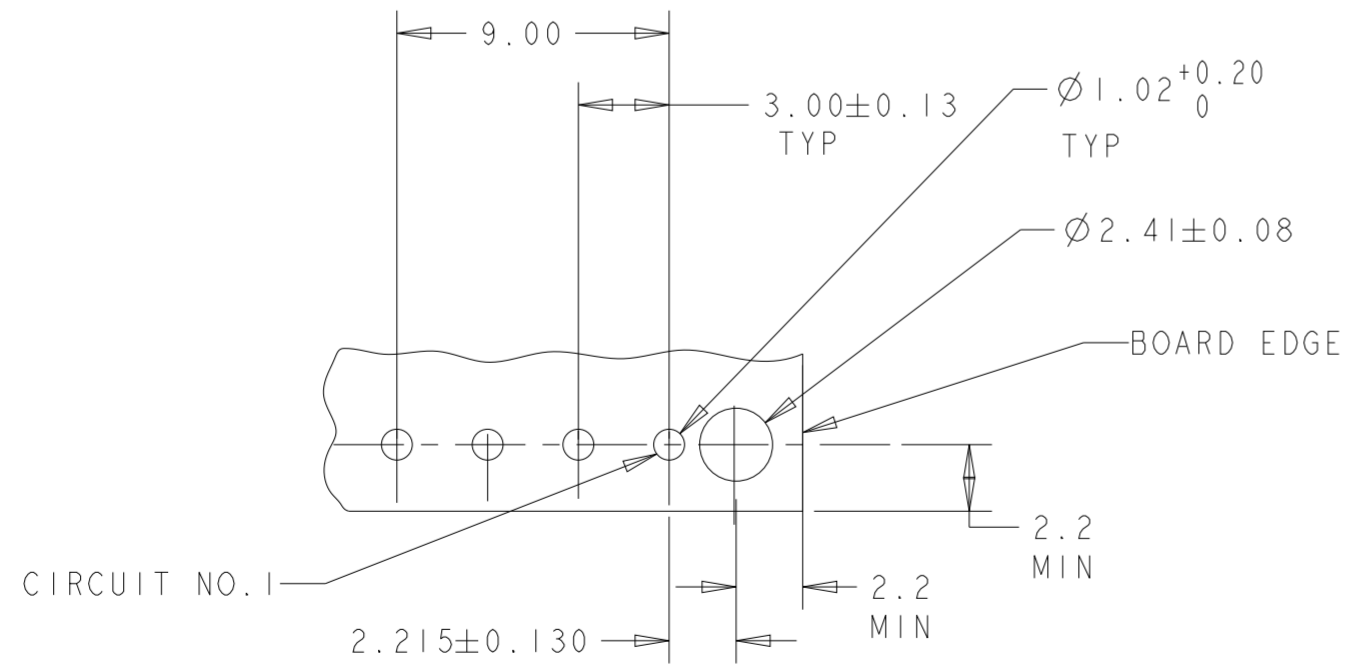
LOC	DIST	REVISIONS					
CM	00	P	LTR	DESCRIPTION	DATE	DWN	APVD
		A2		REVISED PER ECR-16-011506	23JUN2017	NK	CX
		A3		ECO-19-006502	25APR2019	AP	WS
		A4		REVISED PER ECN-22-139652	17FEB2022	WLS	VS
		A5		REVISED PER ECN-22-162091	01JUL2022	WLS	VS



CIRCUIT NUMBER 1



- 1 MATERIAL: HOUSING - UL 94V-0 RATED HIGH TEMP NYLON, COLOR BLACK.
CONTACTS - BRASS
HOLDDOWNS: - PHOSPHOR BRONZE.
- 2 RECOMMENDED PC BOARD THICKNESS OF 1.57.
- 3 PLATING: CONTACTS - 2.54µm MINIMUM MATTE TIN OVER 1.27µm MINIMUM NICKEL.
HOLDDOWNS: 2.54µm MINIMUM MATTE TIN OVER 1.27µm MINIMUM NICKEL.
- 4 COUNTERPART RECOMMENDED IS PN 1445022 OR 2008571 (DASH ACC. TO NUMBER OF POSITION).
- 5 FOR REELING DIRECTION AND PACKAGING TYPE, SEE SPECIFICATION 114-13000.
- 6 CUTTING EDGE, NO PLATING PRESENT IN THE REGION SHOWN.



PCB LAYOUT COMPONENT SIDE 2

4	2-794930-4
NUMBER OF POS	PART NUMBER

THIS DRAWING IS A CONTROLLED DOCUMENT.		DWN K. WHITAKER 17-MAY-2001	TE Connectivity	
DIMENSIONS: mm		CHK D. COLEY 17-MAY-2001		
TOLERANCES UNLESS OTHERWISE SPECIFIED:		APVD D. COLEY 17-MAY-2001	NAME VERTICAL THRU HOLE HEADER ASSY, TIN CONTACTS, WITH THRU HOLE HOLDDOWN, SINGLE ROW, MICRO MATE-N-LOK™	
0 PLC ±		PRODUCT SPEC 108-1836	SIZE 114-13000	
1 PLC ±		APPLICATION SPEC	CAGE CODE A200779	
2 PLC ±0.20		WEIGHT -	DRAWING NO C-794930	
3 PLC ±		CUSTOMER DRAWING	RESTRICTED TO	
4 PLC ±		SCALE 4:1	SHEET 1 OF 1	
ANGLES ±1°			REV A5	
FINISH				