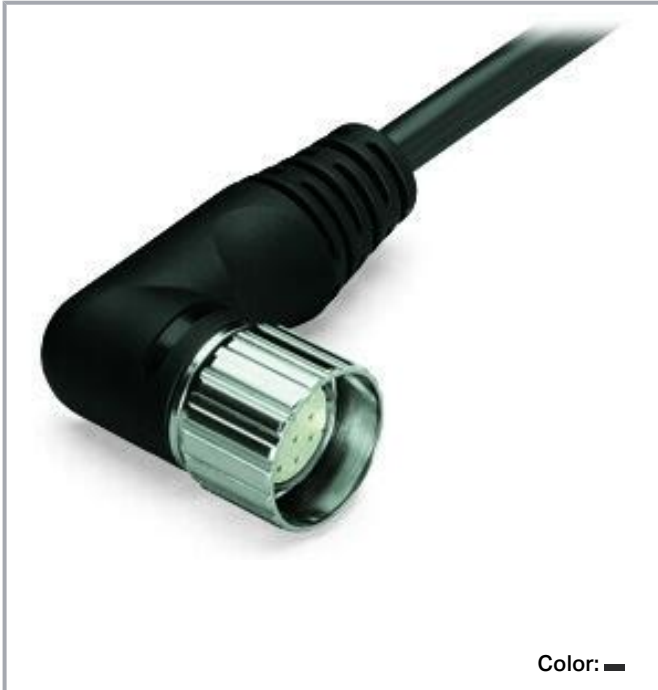


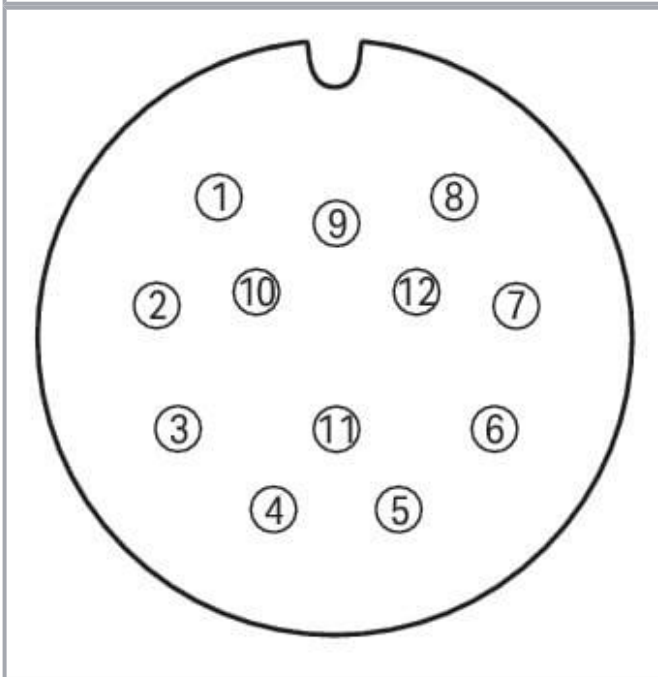
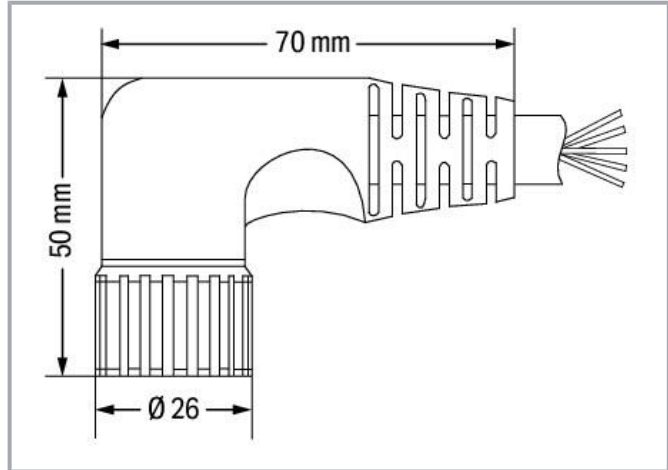
Data sheet | Item number: 756-3202/120-050

Connecting cable; 12-pole; Length: 5 m

www.wago.com/756-3202/120-050



Color: ■



Pin 9, 11, 12: 1.00 mm²;
Pin 1 - 8: 0.34 mm²

- | | |
|----------|--------------------|
| 1 white | 9 blue |
| 2 green | 10 commoned with 9 |
| 3 yellow | 11 brown |
| 4 gray | 12 green/yellow |
| 5 pink | |
| 6 red | |
| 7 black | |
| 8 violet | |

Subject to changes. Please also observe the further product documentation!

WAGO GmbH & Co. KG

Hansastr. 27

32423 Minden

Phone: +49571 887-0 | Fax: +49571 887-169

Email: info.de@wago.com | Web: www.wago.com

Do you have any questions about our products?

We are always happy to take your call at +49 (571) 887-44222.

Data

Technical data

Connection type	M23 socket - free end
Pole number	12
Cable connection direction to mating direction	90 °
Cable length	5 m
Operating voltage	≤ 300 V
Operating current	8 A
Rated surge voltage	≥ 2.0 kV rms

Mechanical Data

Bending cycles	2 Mio.
Drag chain capability	yes
Sheathed cable diameter	9 ... 9.6 mm
Weight	587 g
Color	black

Environmental requirements

Ambient (operating) temperature (dynamic)	-25 ... +80 °C
Ambient (operating) temperature (static)	-40 ... +80 °C
Protection type	IP67

Commercial data

Product Group	23 (I/O passive and accessories)
eCl@ss 10.0	27-06-03-11
eCl@ss 9.0	27-06-03-11
ETIM 8.0	EC001855
ETIM 7.0	EC001855
PU (SPU)	1 pcs
Packaging type	box
Country of origin	DE
GTIN	4044918569002
Customs tariff number	85444290900

Subject to changes. Please also observe the further product documentation!



Environmental Product Compliance

RoHS Compliance Status

Compliant, No Exemption

Downloads

Documentation

System Description

Sensor/Actuator Boxes – General Product Information

pdf
438.6 kB

[Download](#)

CAD/CAE-Data

CAE data

WSCAD Universe 756-3202/120-050

[URL](#)

[Download](#)

WSCAD Universe 756-3202/120-050

[URL](#)

[Download](#)

Environmental Product Compliance

Compliance Search

Environmental Product Compliance 756-3202/120-050

[URL](#)

[Download](#)

Connecting cable; 12-pole; Length: 5 m

Installation Notes

Subject to changes. Please also observe the further product documentation!

WAGO GmbH & Co. KG

Hansastr. 27

32423 Minden

Phone: +49571 887-0 | Fax: +49571 887-169

Email: info.de@wago.com | Web: www.wago.com

Do you have any questions about our products?

We are always happy to take your call at +49 (571) 887-44222.