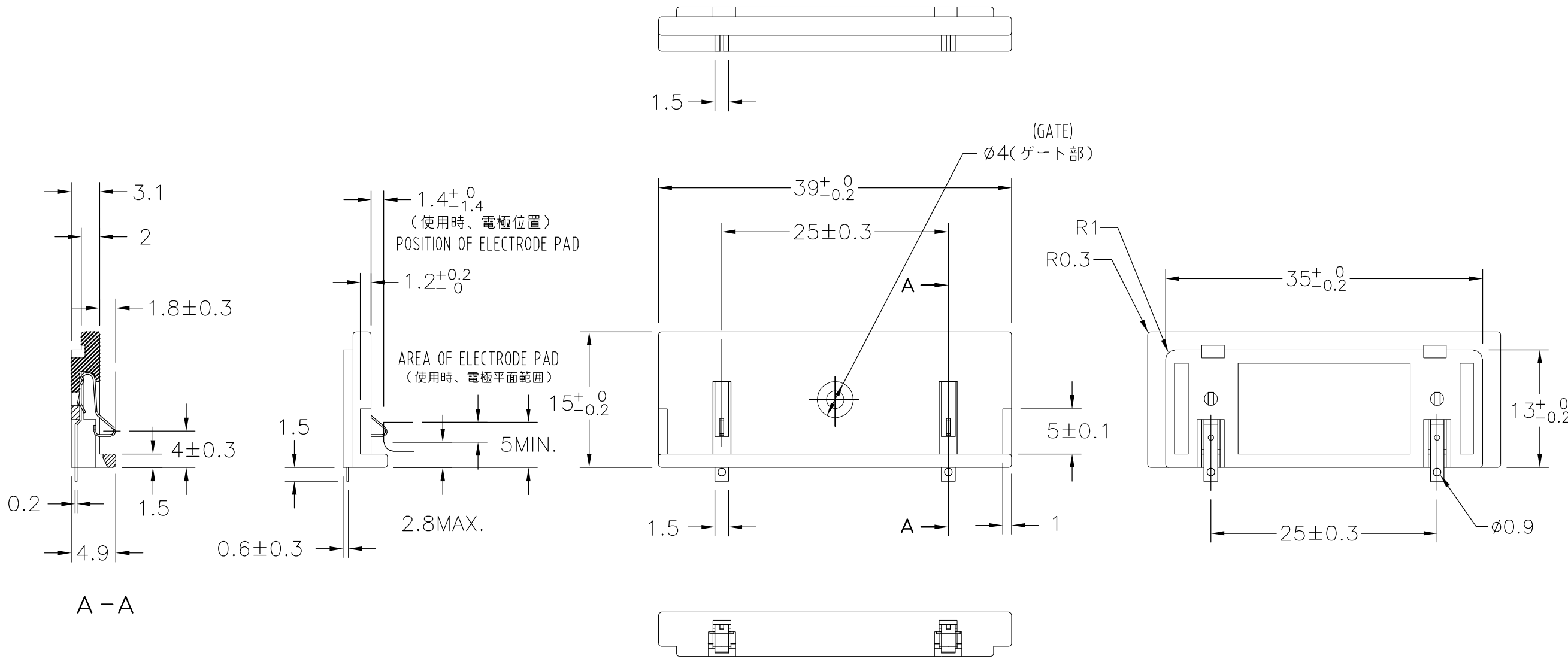


THIS DRAWING IS UNPUBLISHED. RELEASED FOR PUBLICATION

© COPYRIGHT BY TYCO ELECTRONICS CORPORATION. ALL RIGHTS RESERVED.

LOC	DIST	REVISIONS		
J	—	P	LTR	DESCRIPTION
		A	RELEASED	DATE
				DWN
				APVD
				13FEB07
				T.K
				K.I



A-A

- NOTE,
1. GENERAL TOLERANCE : ± 0.2
  2. BURR : 0.2 MAX.
  3. MATERIAL,  
HOUSING : GLASS FILLED THERMOPLASTIC, BLACK  
CONTACT : COPPER ALLOY WITH GOLD PLATING AT CONTACTING AREA AND GOLD FLASH PLATING AT LEAD AREA.
  4. THIS DIMENSION SHOWS ASS'Y PRODUCT.
  5. R OF CORNER AND EDGE WITHOUT INDICATION IS LESS THAN R0.3.
  6. OTHER SPECIFICATIONS ARE SHOWN IN PRODUCT SPECIFICATION.

1. 一般公差±0.2
2. バリは、0.2MAX.
3. 材質  
ハウジング：ガラス強化熱可塑性樹脂（色調：黒）  
コンタクト：接触部ニッケル下地金めっき付き銅合金  
半田付け部：ニッケル下地金フラッシュめっき
4. 寸法は、特に明示しない限り、仕上がり寸法を示す。
5. 指示なきRはR0.3
6. その他の仕様は、製品仕様書により規定される。

6437118-1:AS SHOWN

THIS DRAWING IS A CONTROLLED DOCUMENT.		DWN	T.KATANO	08FEB07			Tyco Electronics AMP K.K.	
		CHK	K.IKEGAMI	13FEB07			Kawasaki, Japan	
		APVD	K.IKEGAMI	13FEB07	NAME		BATTERY BLOCK SD2 ASS'Y	
		PRODUCT SPEC			CAGE CODE		RESTRICTED TO	
		APPLICATION SPEC			DRAWING NO		—	
		取付適用規格			番号		—	
		WEIGHT			A3		—	
		CUSTOMER DRAWING			6437118-1		—	
		SCALE			SHEET		REV	
		尺度 2:1			1 OF 1		A	