

# Variable Attenuators

0.8-2.5, 4-26.5 GHz

## Miniature Variable Attenuators

- Low Minimum Insertion Loss
- Small Size, Lightweight
- Operational to 105°C without Degradation (125°C storage)
- Excellent for Communications



### Specifications

SMA (F), 0.8 to 18 GHz

| FREQUENCY RANGE (GHz) | MODEL | ATTENUATION (dB min.) | POWER INPUT      |                | VSWR (max.)                     | INSERTION LOSS (dB max.)            | FREQUENCY SENSITIVITY (dB) | WEIGHT (max) |     |
|-----------------------|-------|-----------------------|------------------|----------------|---------------------------------|-------------------------------------|----------------------------|--------------|-----|
|                       |       |                       | AVERAGE (W max.) | PEAK (kW max.) |                                 |                                     |                            | oz.          | gr. |
| 0.8-2.5               | 4790* | 20                    | 5                | 3              | 1.5                             | 0.5                                 | —                          | 10.6         | 300 |
| 4-18                  | 4791  | 15                    | 5                | 3              | 4-11 GHz: 1.5<br>11-18 GHz: 1.7 | 1.0                                 | ±3.5                       | 5.5          | 160 |
| 8-18                  | 4792  | 30                    | 5                | 3              | 8-11 GHz: 1.5<br>11-18 GHz: 1.7 | 8-12.4 GHz: 0.5<br>12.4-18 GHz: 1.0 | ±3.5                       | 5.5          | 160 |
| 12.4-18               | 4793  | 30                    | 5                | 3              | 1.7                             | 1.0                                 | ±2.0                       | 5.5          | 160 |

3.5 mm (F), 7 to 26.5 GHz

| FREQUENCY RANGE** (GHz) | MODEL | ATTENUATION (dB min.) | POWER INPUT      |                | VSWR (max.) | INSERTION LOSS (dB max.) |             | FREQUENCY SENSITIVITY (dB) | WEIGHT |     |
|-------------------------|-------|-----------------------|------------------|----------------|-------------|--------------------------|-------------|----------------------------|--------|-----|
|                         |       |                       | AVERAGE (W max.) | PEAK (kW max.) |             | 7 - 12.4                 | 12.4 - 26.5 |                            | oz.    | gr. |
| 7 - 26.5                | 4796  | 15                    | 5                | 1.4            | 1.7 †       | 0.7                      | 1.5         | ±3.0                       | 7.5    | 213 |

\* Due to the sensitivity of existing dielectric properties, this model does not exhibit flat frequency sensitivity.

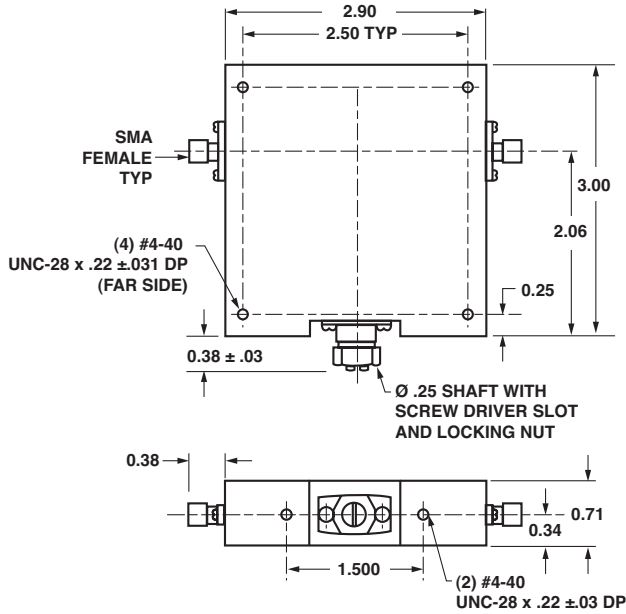
\*\* Usable to 33 GHz

† Maximum VSWR from 12.4 - 18 GHz is 1.6

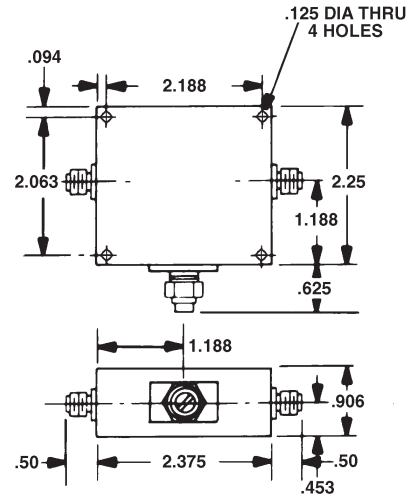


# Variable Attenuators

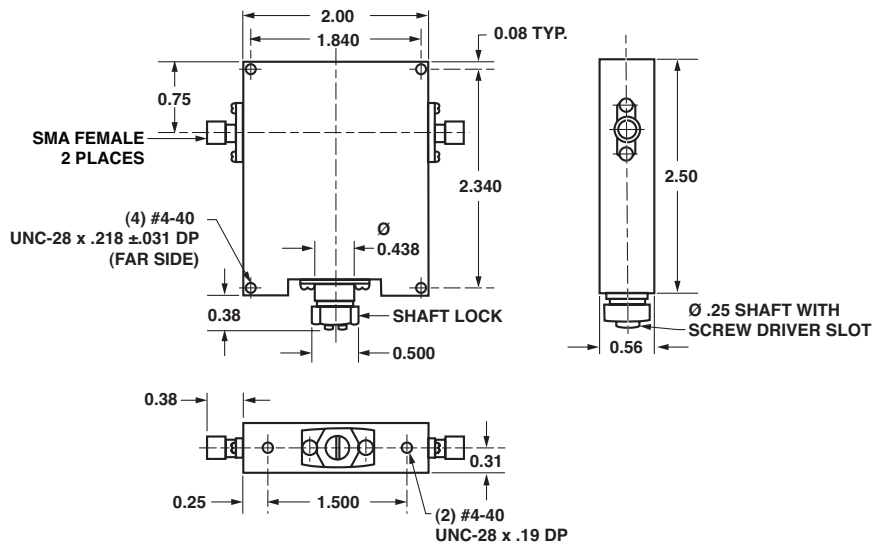
## Outline Drawings



MODEL 4790



MODEL 4796



MODELS 4791, 4792, 4793

Dimensions in inches, unless otherwise specified.

