

4

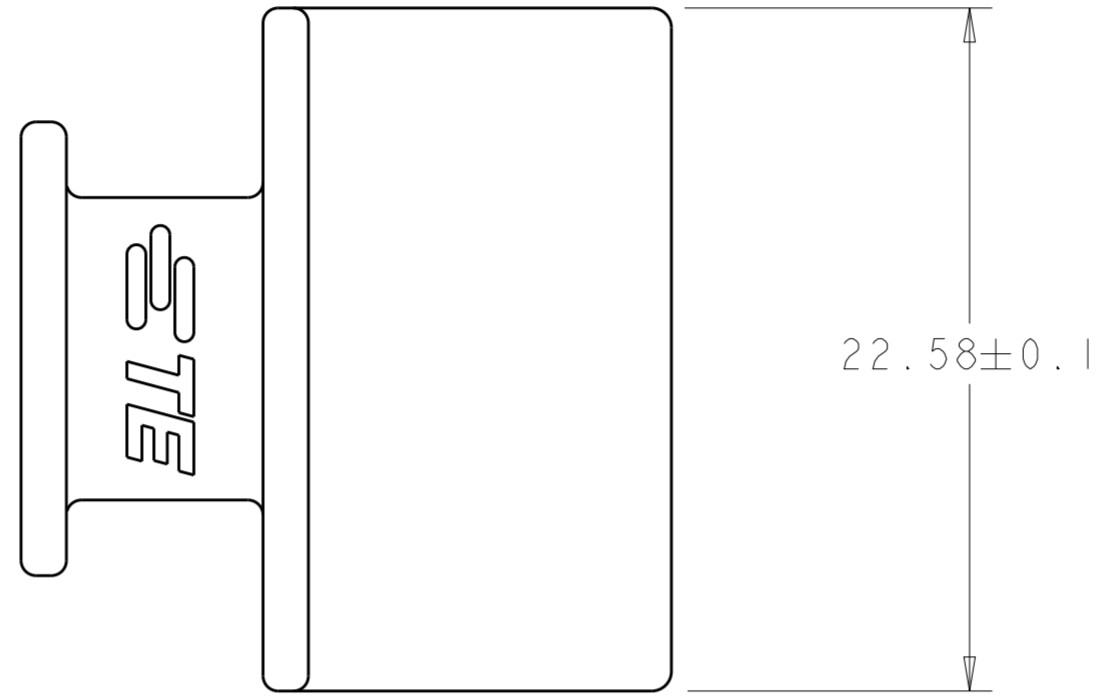
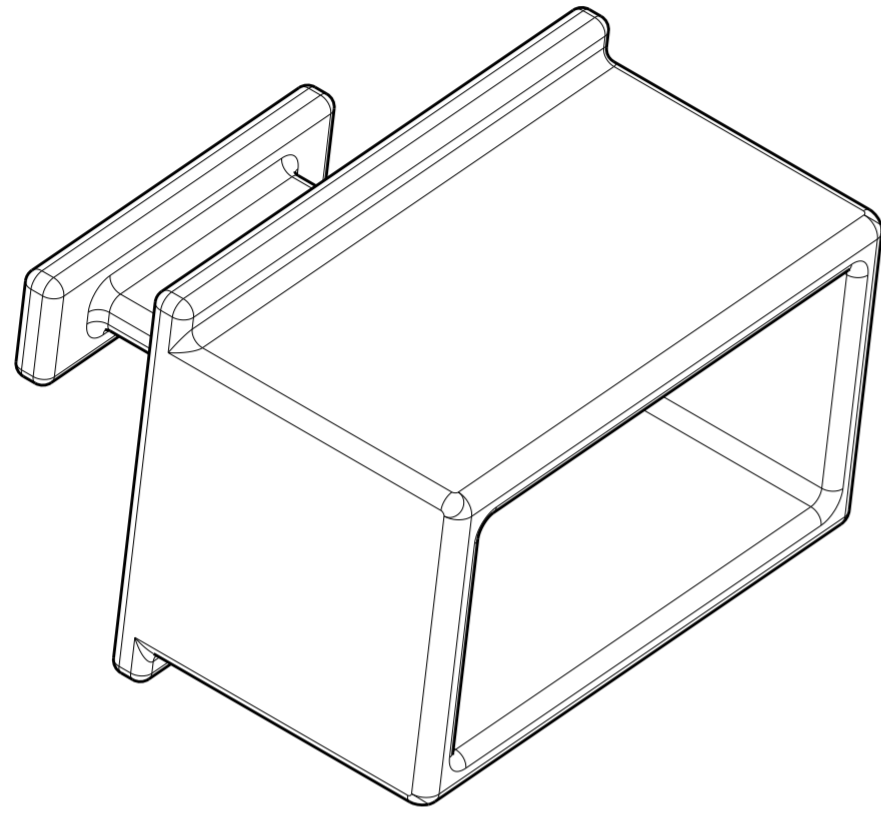
3

2

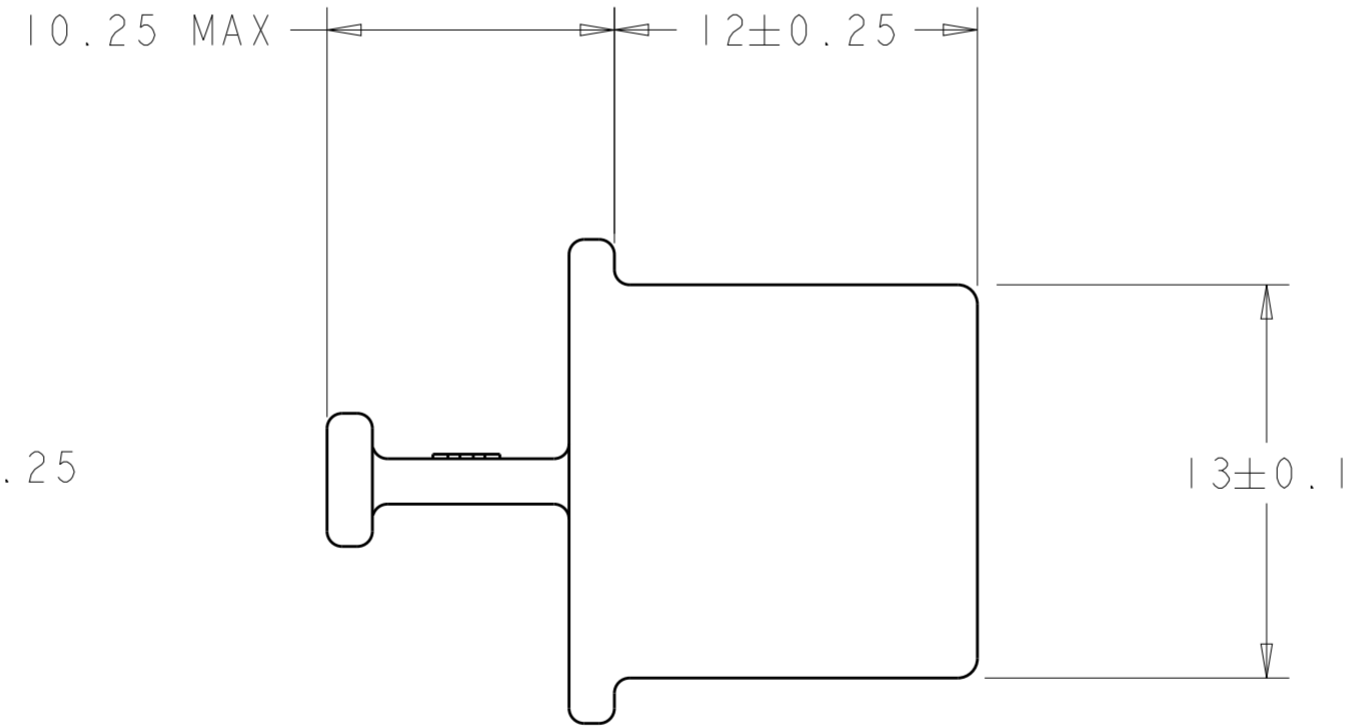
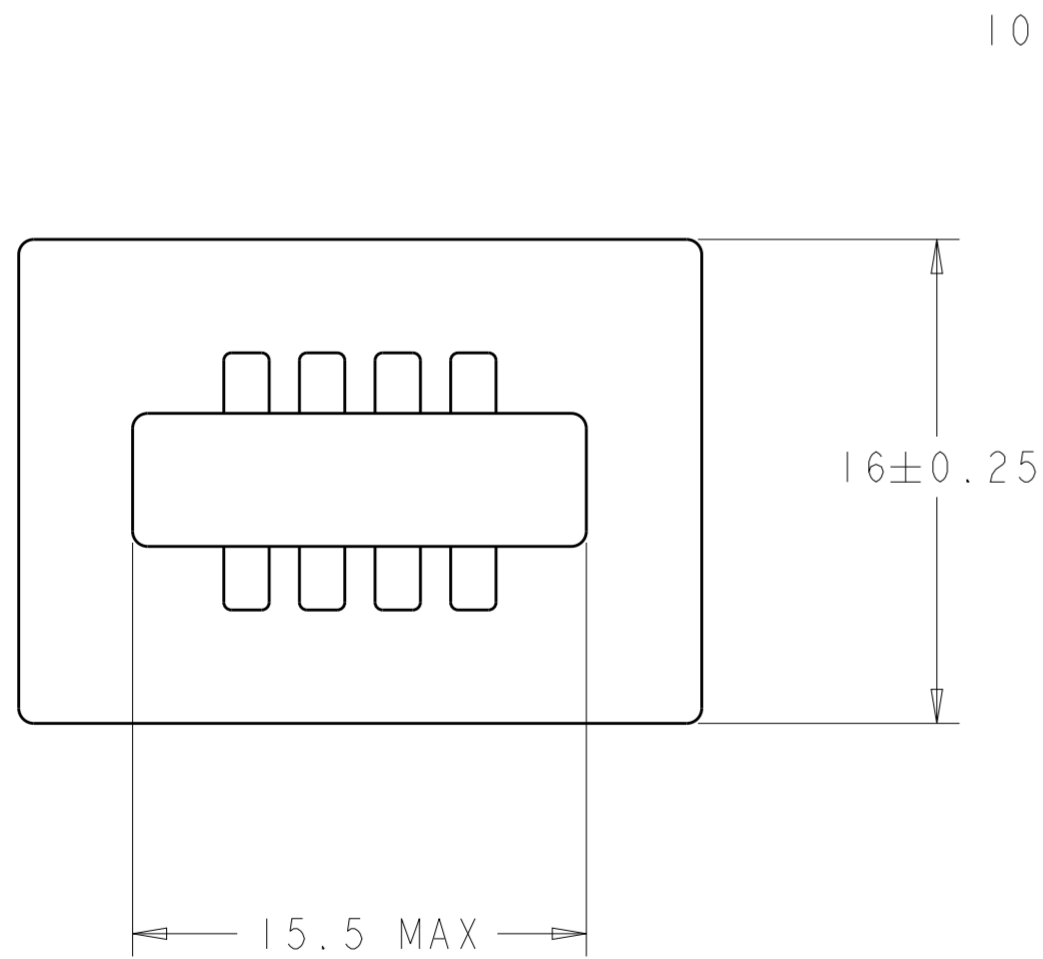
1

THIS DRAWING IS UNPUBLISHED. RELEASED FOR PUBLICATION 2017
 © COPYRIGHT 2017 BY - ALL RIGHTS RESERVED.

REVISIONS				
P	LTR	DESCRIPTION	DATE	APVD
	A	RELEASED PER ECO-18-006968	29MAY2018	CJV EDB



1 MATERIAL: ZINC ALLOY.
 2 FINISH: 1.27µm MIN NICKEL OVER 5.08µm MIN COPPER.



2317857-2
 PART NUMBER

THIS DRAWING IS A CONTROLLED DOCUMENT.		DWN E BRIANT 20MAR2017	STE TE Connectivity																						
		CHK E BRIANT 20MAR2017																							
		APVD E BRIANT 20MAR2017	NAME EMI AND DUST COVER, OSFP																						
DIMENSIONS: mm		TOLERANCES UNLESS OTHERWISE SPECIFIED:		PRODUCT SPEC																					
<table border="0"> <tr><td>0 PLC</td><td>±</td><td>-</td></tr> <tr><td>1 PLC</td><td>±</td><td>0.5</td></tr> <tr><td>2 PLC</td><td>±</td><td>0.13</td></tr> <tr><td>3 PLC</td><td>±</td><td>0.013</td></tr> <tr><td>4 PLC</td><td>±</td><td>0.0001</td></tr> <tr><td>ANGLES</td><td>±</td><td>-</td></tr> <tr><td>FINISH</td><td>±</td><td>-</td></tr> </table>		0 PLC	±	-	1 PLC	±	0.5	2 PLC	±	0.13	3 PLC	±	0.013	4 PLC	±	0.0001	ANGLES	±	-	FINISH	±	-	APPLICATION SPEC		SIZE
0 PLC	±	-																							
1 PLC	±	0.5																							
2 PLC	±	0.13																							
3 PLC	±	0.013																							
4 PLC	±	0.0001																							
ANGLES	±	-																							
FINISH	±	-																							
MATERIAL		WEIGHT		CAGE CODE																					
1		2		DRAWING NO																					
		CUSTOMER DRAWING		A200779																					
		SCALE 4:1		DRAWING NO																					
		SHEET OF		RESTRICTED TO																					
		REV A																							