

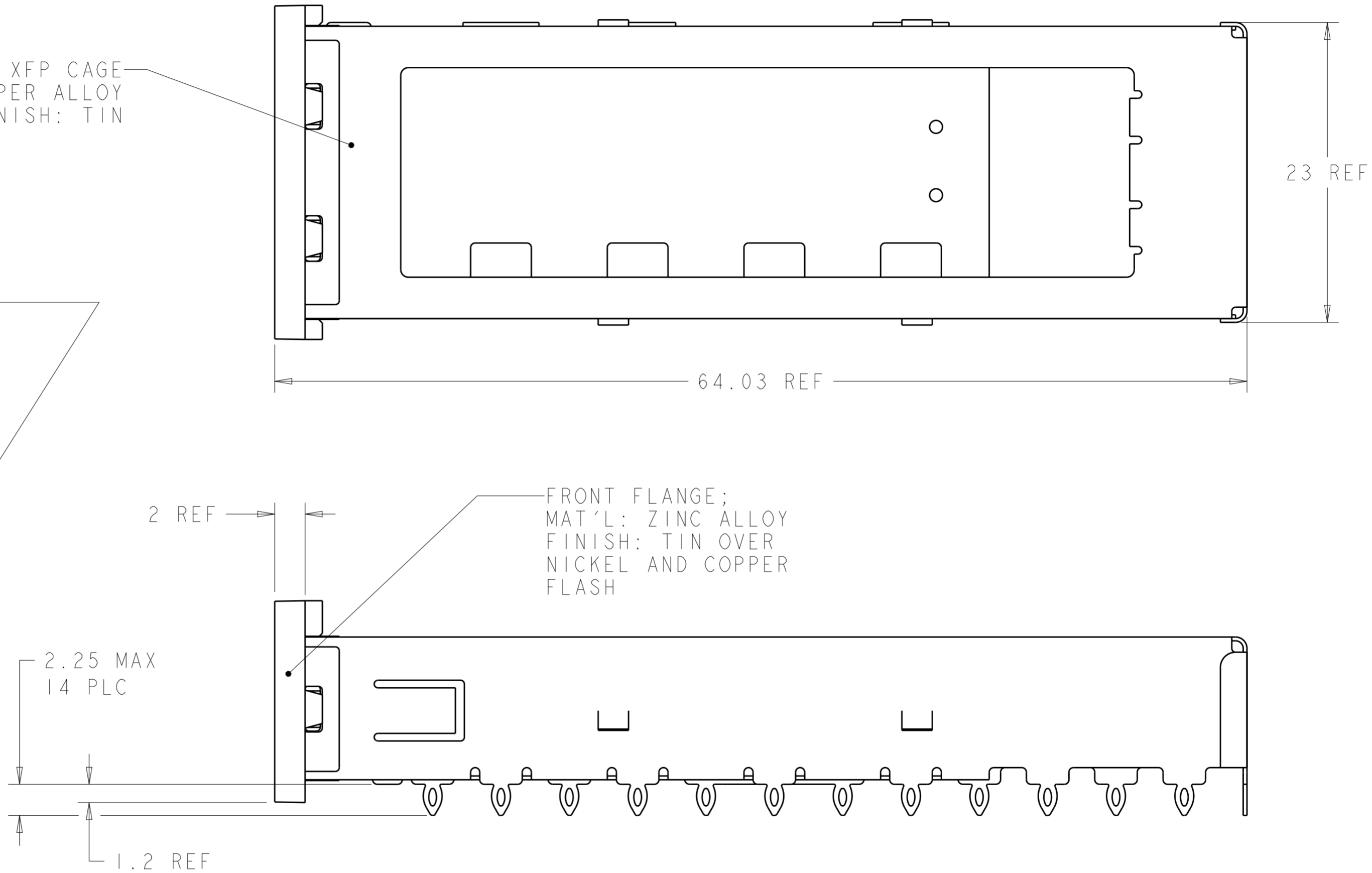
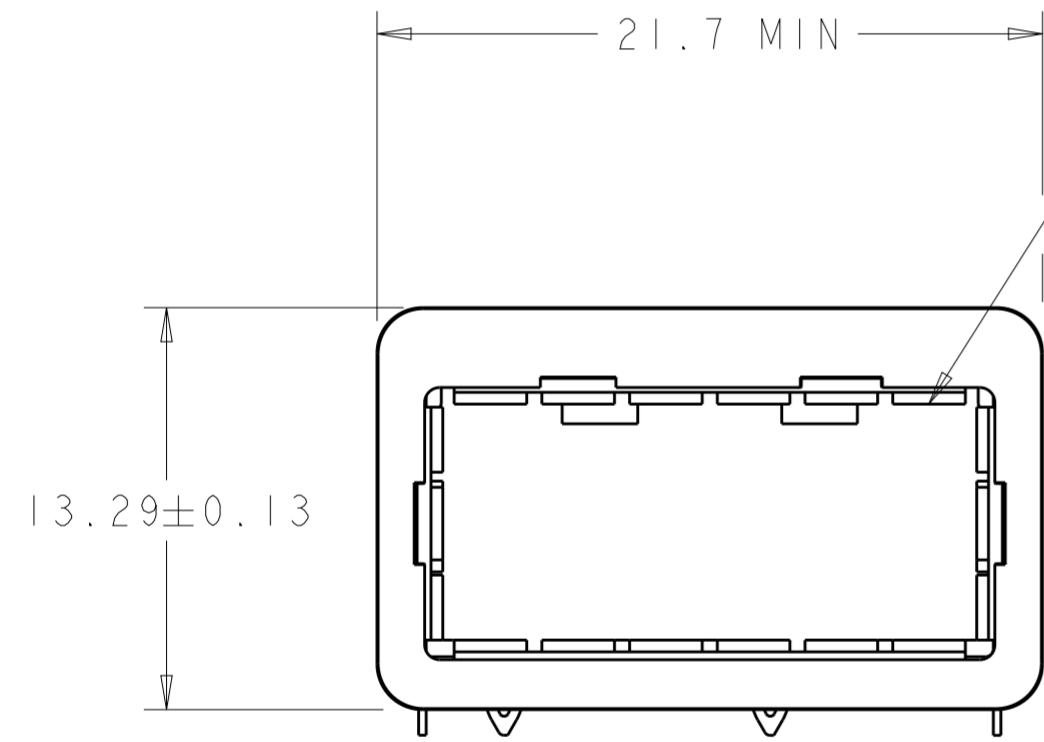
THIS DRAWING IS UNPUBLISHED. RELEASED FOR PUBLICATION 20  
 © COPYRIGHT 20 BY - ALL RIGHTS RESERVED.

| LOC | DIST | REVISIONS   |                 |           |       |
|-----|------|-------------|-----------------|-----------|-------|
| P   | LTR  | DESCRIPTION | DATE            | DWN       | APVD  |
| ES  | 00   | A           | INITIAL RELEASE | 02NOV2016 | AJ SH |
|     |      |             |                 |           |       |
|     |      |             |                 |           |       |

XFP CAGE  
 MAT'L: COPPER ALLOY  
 FINISH: TIN

FRONT EMI SPRING;  
 MAT'L: COPPER ALLOY  
 FINISH: TIN

FRONT FLANGE;  
 MAT'L: ZINC ALLOY  
 FINISH: TIN OVER  
 NICKEL AND COPPER  
 FLASH



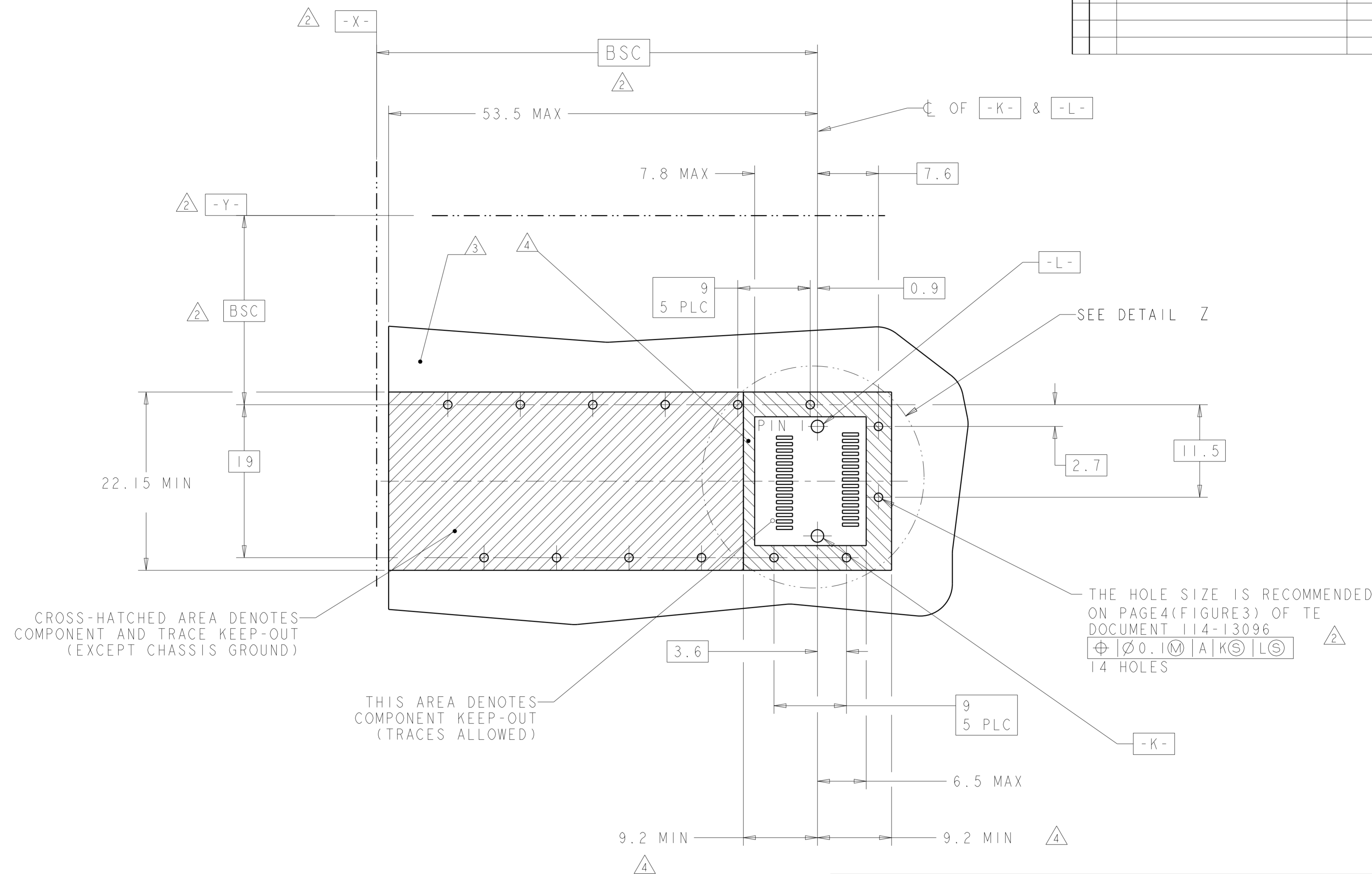
- ① MATES WITH XFP-MSA COMPLIANT TRANSCEIVERS.
- ② DATUM **-X-** AND **-Y-** ESTABLISHED BY CUSTOMER.
- ③ DATUM **-A-** IS TOP SURFACE OF HOST BOARD.
- ④ INDICATED SURFACES TO BE CONDUCTIVE AND CONNECTED TO CHASSIS GROUND.

2303074-1  
 PART NUMBER

|  |             |                             |                            |              |
|--|-------------|-----------------------------|----------------------------|--------------|
| THIS DRAWING IS A CONTROLLED DOCUMENT. |             | DWN 18APR2016<br>ARTHUR JIN | <b>STE</b> TE Connectivity |              |
|  |             | CHK 18APR2016<br>SEAN HAN   |                            |              |
| DIMENSIONS:                            |             | APVD 18APR2016<br>SEAN HAN  | NAME                       |              |
| mm                                     |             | PRODUCT SPEC                | XFP CAGE ASSEMBLY          |              |
| TOLERANCES UNLESS OTHERWISE SPECIFIED: |             | 108-2127                    | FRONT EMI SPRING           |              |
| 0 PLC ±-                               | 1 PLC ±.1   | APPLICATION SPEC            | 10 GIGABIT                 |              |
| 2 PLC ±.01                             | 3 PLC ±.001 | 114-13096                   | SIZE                       | CAGE CODE    |
| 4 PLC ±.0001                           | ANGLES ±-   | WEIGHT                      | A200779                    | C-2303074    |
| FINISH                                 |             | CUSTOMER DRAWING            | SCALE 4:1                  | SHEET 1 OF 3 |
|  |             |                             | REV A                      |              |

THIS DRAWING IS UNPUBLISHED. RELEASED FOR PUBLICATION 20  
 © COPYRIGHT 20 BY - ALL RIGHTS RESERVED.

| LOC | DIST | REVISIONS |     |             |      |     |      |
|-----|------|-----------|-----|-------------|------|-----|------|
| ES  | 00   | P         | LTR | DESCRIPTION | DATE | DWN | APVD |
|     |      | -         |     | SEE SHEET 1 | -    | -   | -    |

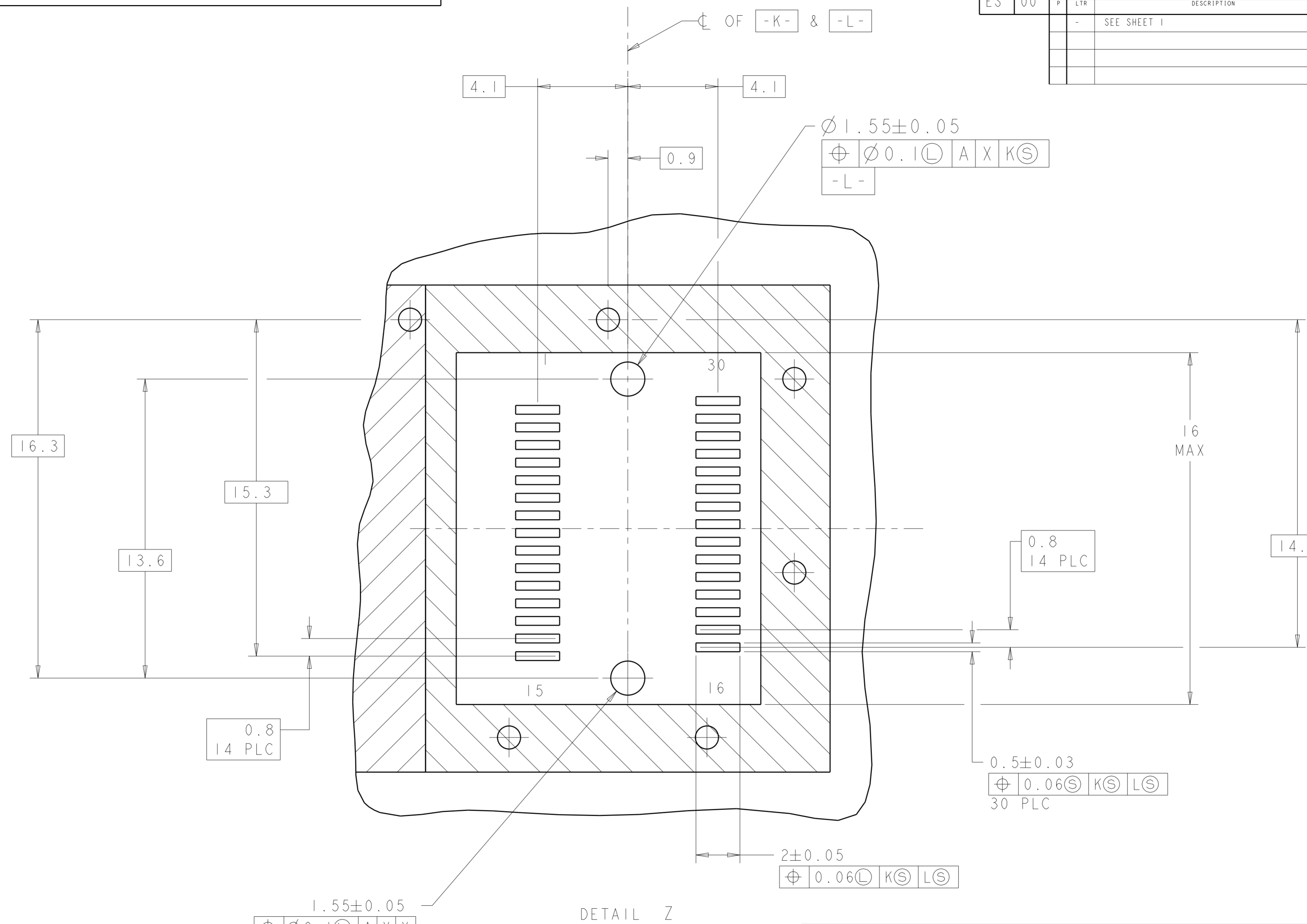


# DETAILED HOST BOARD MECHANICAL LAYOUT

|  |  |                               |   |
|--|--|-------------------------------|---|
| THIS DRAWING IS A CONTROLLED DOCUMENT. |  | DWN 18APR2016<br>ARTHUR JIN   | TE Connectivity   |
| DIMENSIONS: mm                         |  | CHK 18APR2016<br>SEAN HAN     |   |
| TOLERANCES UNLESS OTHERWISE SPECIFIED: |  | APVD 18APR2016<br>SEAN HAN    | NAME<br>XFP CAGE ASSEMBLY<br>FRONT EMI SPRING<br>10 GIGABIT |
| 0 PLC ±.1                              |  | PRODUCT SPEC<br>108-2127      | SIZE<br>A200779   |
| 1 PLC ±.01                             |  | APPLICATION SPEC<br>114-13096 | DRAWING NO<br>C-2303074                                     |
| 2 PLC ±.001                            |  | WEIGHT<br>-                   | RESTRICTED TO<br>-  |
| 3 PLC ±.0001                           |  | CUSTOMER DRAWING              | SCALE 2:1   |
| 4 PLC ±.0001                           |  |                               | SHEET 2 OF 3  |
| ANGLES ±                               |  |                               | REV A   |
| FINISH                                 |  |                               |   |

THIS DRAWING IS UNPUBLISHED. RELEASED FOR PUBLICATION 20  
 © COPYRIGHT 20 BY - ALL RIGHTS RESERVED.

| LOC | DIST | REVISIONS |     |             |      |     |      |
|-----|------|-----------|-----|-------------|------|-----|------|
| ES  | 00   | P         | LTR | DESCRIPTION | DATE | DWN | APVD |
|     |      | -         |     | SEE SHEET 1 | -    | -   | -    |



$1.55 \pm 0.05$   
 $\phi 0.1$  (AXY)  
 -K-

DETAIL Z  
 SCALE 8:1

# DETAILED HOST BOARD MECHANICAL LAYOUT

|  |              |                                |   |                        |
|--|--------------|--------------------------------|---|------------------------|
| THIS DRAWING IS A CONTROLLED DOCUMENT. |              | DWN<br>ARTHUR JIN<br>18APR2016 | TE Connectivity   |                        |
| DIMENSIONS: mm                         |              | CHK<br>SEAN HAN<br>18APR2016   |   |                        |
| TOLERANCES UNLESS OTHERWISE SPECIFIED: |              | APVD<br>SEAN HAN<br>18APR2016  | NAME<br>XFP CAGE ASSEMBLY<br>FRONT EMI SPRING<br>10 GIGABIT |                        |
| 0 PLC ±.1                              | 1 PLC ±.01   | PRODUCT SPEC<br>108-2127       | SIZE<br>A200779   | CAGE CODE<br>C-2303074 |
| 2 PLC ±.001                            | 3 PLC ±.0001 | APPLICATION SPEC<br>114-13096  | DRAWING NO  | RESTRICTED TO          |
| 4 PLC ±.0001                           | ANGLES ±     | WEIGHT                         | SCALE<br>1:1  | SHEET<br>3 OF 3        |
| MATERIAL                               | FINISH       | CUSTOMER DRAWING               | REV<br>A  |                        |