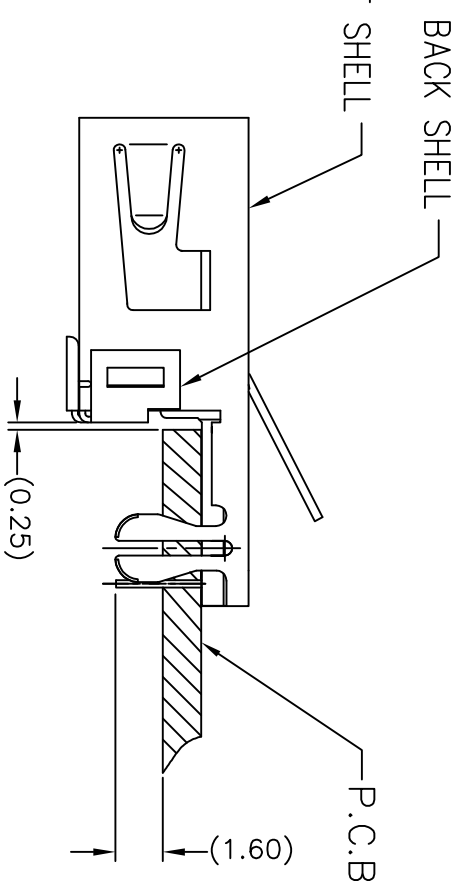
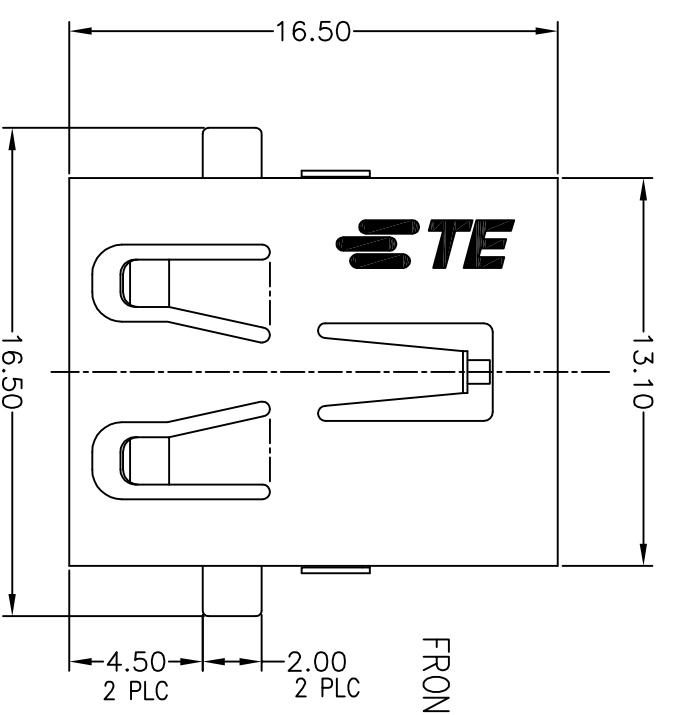


THIS DRAWING IS UNPUBLISHED.
 © COPYRIGHT 2003 BY TYCO ELECTRONICS CORPORATION. ALL RIGHTS RESERVED.

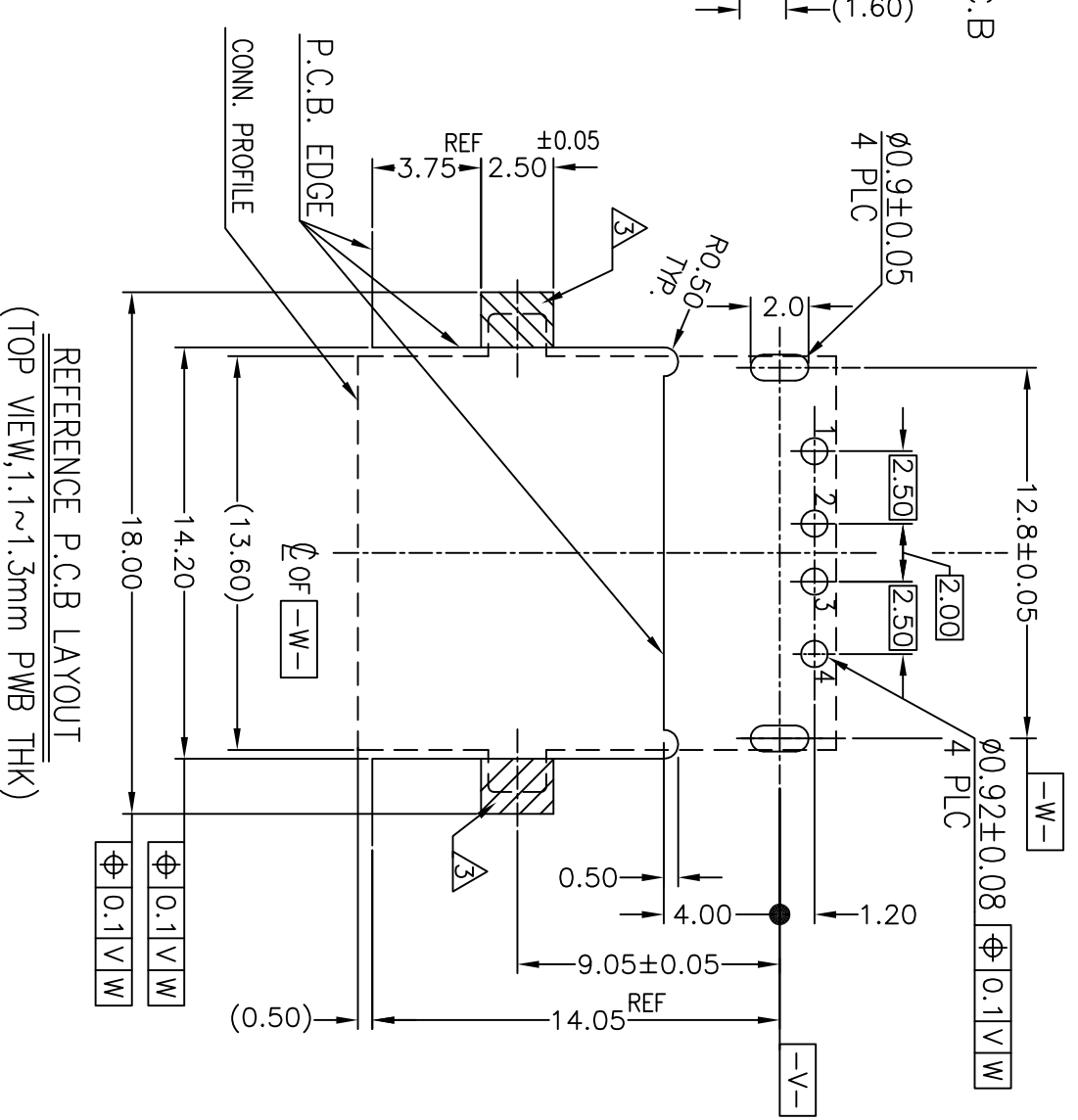
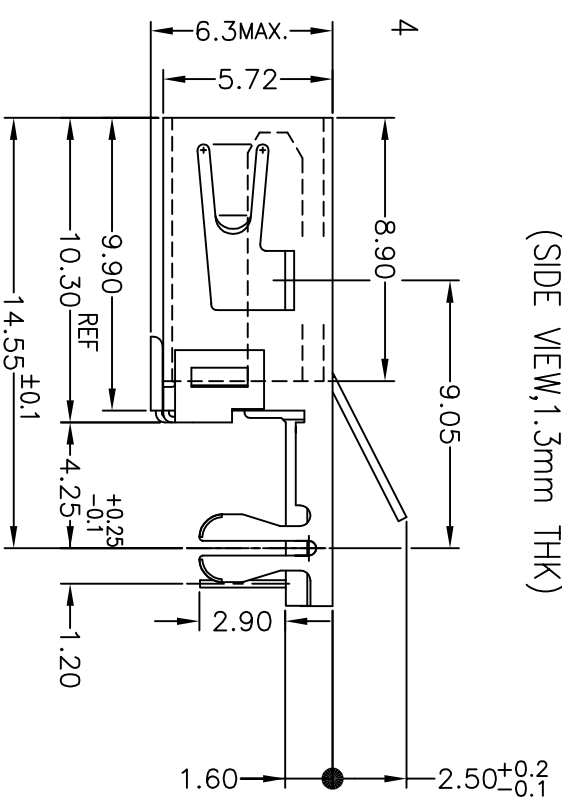
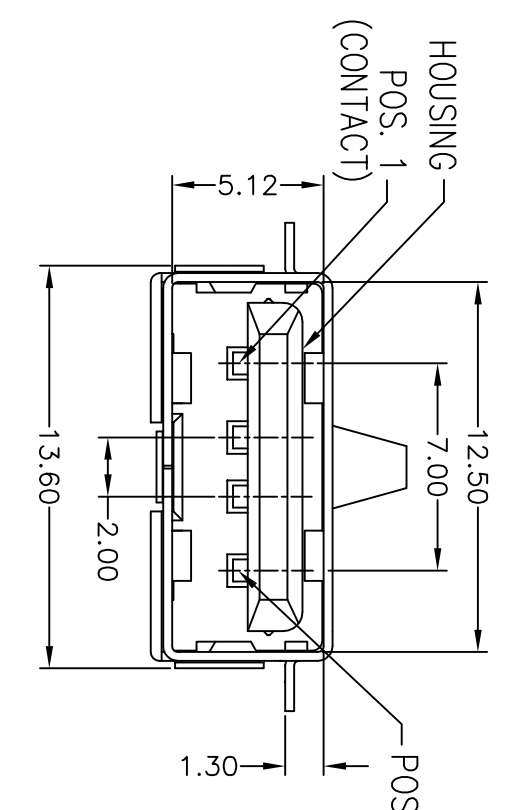
Loc FB DIST

REVISIONS

P	LTR	DESCRIPTION	DATE	DWN	APVD
G1		REVISED(ECR-12-007377)	20APR12	T.Z	S.Y



REFERENCE P.C.B LAYOUT
(SIDE VIEW, 1.3mm THK)



REFERENCE P.C.B LAYOUT
(TOP VIEW, 1.1~1.3mm PWB THK)

- 1 MATERIAL
HOUSING: THERMO-PLASTICS, UL94V-0
- CONTACT: COPPER ALLOY
- FRONT SHELL: COPPER ALLOY
- BACK SHELL: COPPER ALLOY
- FINISH
- CONTACT: NICKEL UNDER PLATE ALL OVER.
- CONTACT AREA: GOLD PLATING
- TINE AREA: Tin PLATING
- FRONT SHELL: Tin PLATING, Ni UNDER PLATING
- BACK SHELL: Ni PLATING

- 2 NO COMPONENT AREA.

THIS DRAWING IS A CONTROLLED DOCUMENT.

DIMENSIONS:	TOLERANCES UNLESS OTHERWISE SPECIFIED:
mm	
0 PLC	±
1 PLC	±
2 PLC	± 0.3
3 PLC	±
4 PLC	±
ANGLES	± 3°

DWN S. CHIEN 15MAR04
 CHK T. FUJITSUGI 15MAR04

APVD H. KODAMA 15MAR04

PRODUCT SPEC 108-5983
 APPLICATION SPEC

NAME USB CONNECTOR RECEPTACLE
 DIP AND OFFSET TYPE

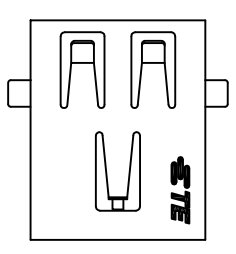
CERAMICS WHITE	1746311-2
BLACK	1746311-1
COLOR	PARTS No.

WEIGHT	SIZE A3	CAGE CODE 00779	DRAWING NO. 1746311	SCALE 4:1	SHEET 1 OF 2	REV G1
CUSTOMER DRAWING						

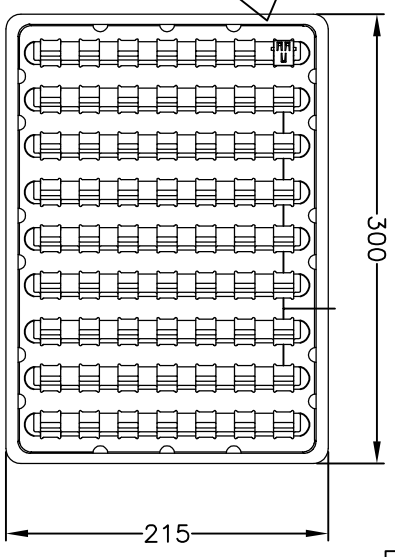
Loc	FB
DIST	

REVISIONS

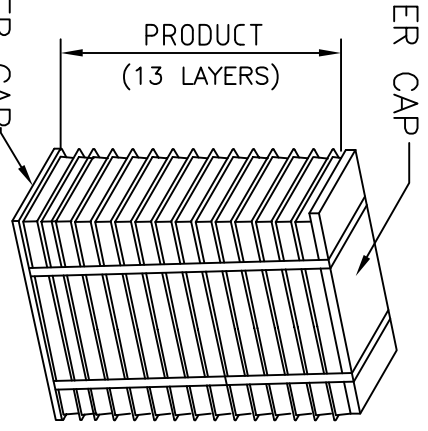
P	LTR	DESCRIPTION	DATE	DWN	APVD
		SEE SHEET 1			



USB CONNECTOR

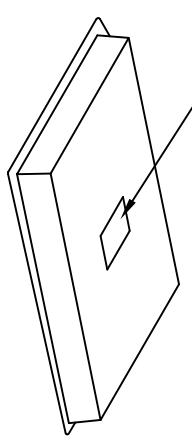


TRAY



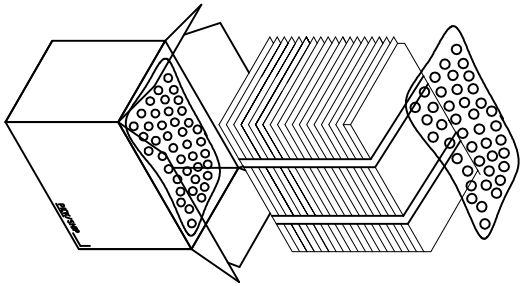
PRODUCT
(13 LAYERS)

PAPER CAP



TRAY WITH TOP COVER

INNER LABEL



OUTER LABEL

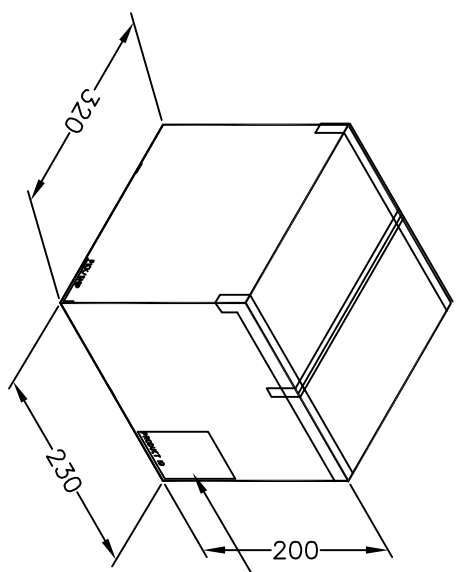
USB CONNECTOR PACKING METHOD

THIS DRAWING IS A CONTROLLED DOCUMENT.

DIMENSIONS: mm

TOLERANCES UNLESS OTHERWISE SPECIFIED:	±
0 PLC	±
1 PLC	±
2 PLC	± 0.3
3 PLC	±
4 PLC ANGLES	±

MATERIAL	
----------	--



NOTES :

1. MATERIAL:
TRAY : PS , T=0.8~1.0
SHIPPING CARTON : CORRUGATED FIBERBOARD
2. DIMENSION
TRAY : L=300, W=215, H=10
SHIPPING CARTON : L=320, W=230, H=200
3. QUANTITY:
63 PCS/TRAY
819 PCS/SHIPPING CARTON
4. WEIGHT:
NET WEIGHT:1.24KG
GROSS WEIGHT:2.53KG



TE Connectivity

USB CONNECTOR RECEPTACLE
DIP AND OFFSET TYPE

DWN		NAME	USB CONNECTOR RECEPTACLE DIP AND OFFSET TYPE		
CHK		APVD	SIZE	CAGE CODE	DRAWING NO
			A3	00779	1746311
			APPLICATION SPEC	WEIGHT	CUSTOMER DRAWING
			SCALE	SHEET	REV
				2 OF 2	G1