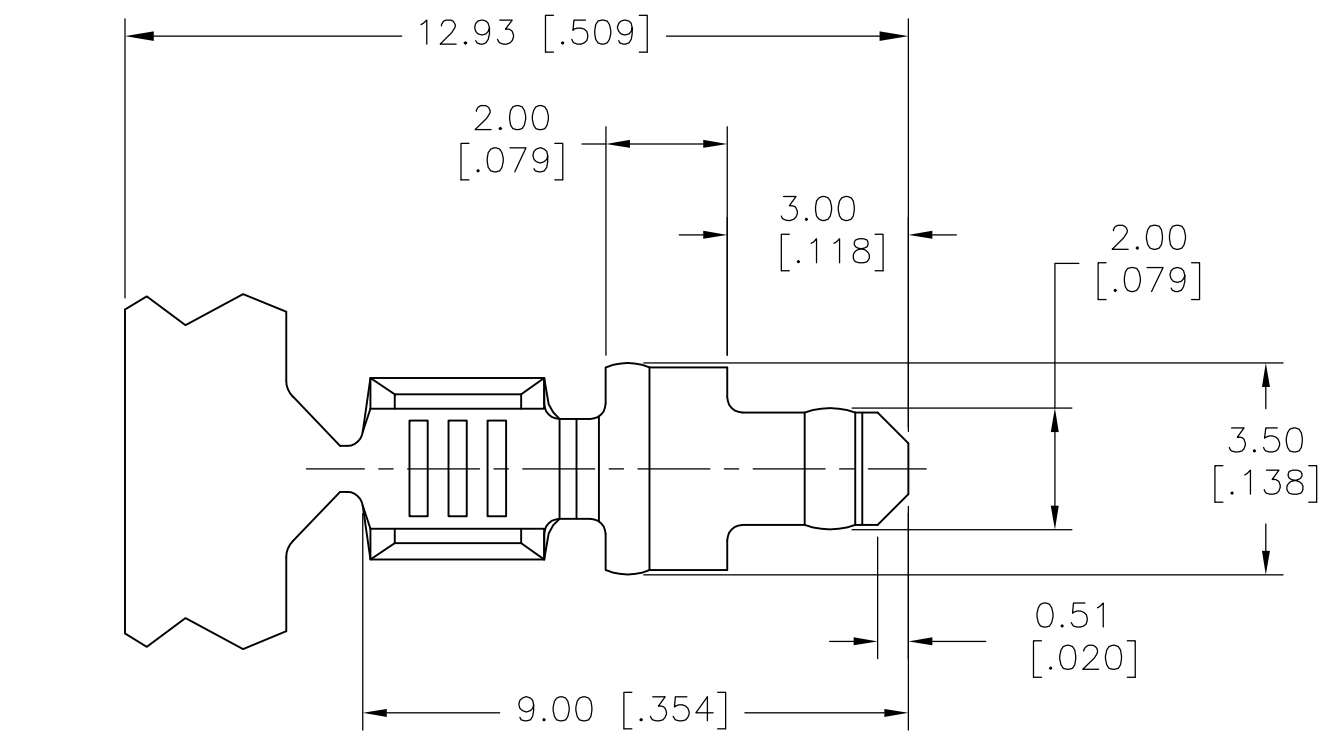
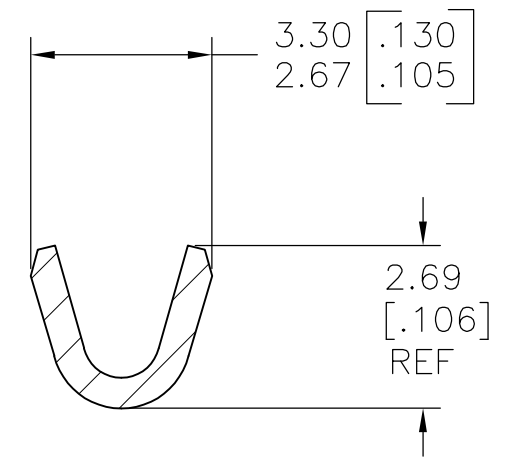
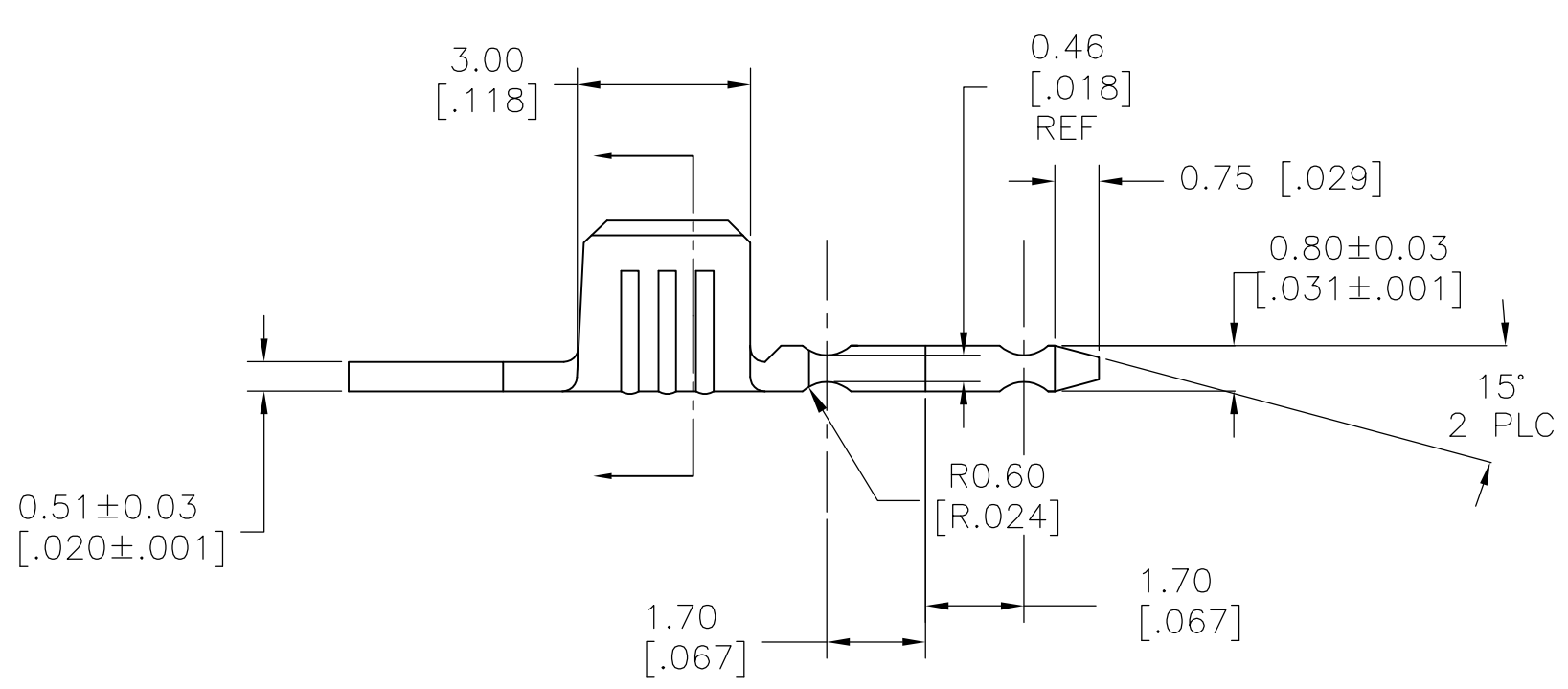


THIS DRAWING IS UNPUBLISHED. RELEASED FOR PUBLICATION
 © COPYRIGHT - By - ALL RIGHTS RESERVED.

LOC	DIST	REVISIONS					
AF	50	P	LTR	DESCRIPTION	DATE	DWN	APVD
		B		REVISED PER ECR-13-011489	11DEC2013	KH	PD



- 1 CONTINUOUS STRIP ON REELS.
- 2 WIRE SIZE #22-#18 AWG
 CRIMP HEIGHT: #22 - 1.40 [.055]
 #20 - 1.45 [.057]
 #18 - 1.55 [.061]



1742753-1
 PART NO

THIS DRAWING IS A CONTROLLED DOCUMENT.		DWN jr_ruth 10NOV08	TE Connectivity	
DIMENSIONS: mm [INCHES]		CHK KURT RANDOLPH 10NOV08		
TOLERANCES UNLESS OTHERWISE SPECIFIED: 0 PLC ± - 1 PLC ± - 2 PLC ± 0.10 [.004] 3 PLC ± - 4 PLC ± - ANGLES ± 5°		APVD KURT RANDOLPH 10NOV08	NAME	
		PRODUCT SPEC	TAB, FASTON, 2mm [.079]	
MATERIAL BRASS		FINISH TIN PLATE	APPLICATION SPEC 114-2036	RESTRICTED TO
		WEIGHT -	SIZE A3	CAGE CODE 00779
		CUSTOMER DRAWING	DRAWING NO C-1742753	REV B
		SCALE 8:1	SHEET 1 OF 1	