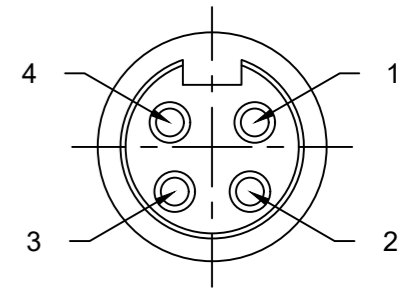


PART NO	ENGINEERING NO.	FINISHED LENGTH
1300130291	1R4000A20M010	1M [3 FT 3 IN]
1300130293	1R4000A20M015	1.5M [4 FT 11 IN]
1300130294	1R4000A20M020	2M [6 FT 7 IN]
1300130295	1R4000A20M030	3M [9 FT 10 IN]
1300130296	1R4000A20M050	5M [16 FT 5 IN]
1300130287	1R4000A20F020	2 FT [0.6M]

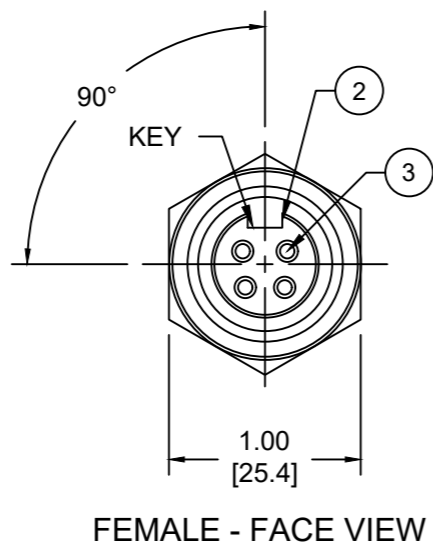
PART NO. MATRIX
1R4000A20M010

FINISHED LENGTH:
A120= 12 IN.
F020= 2 FEET
M005= 0.5 METER
M010= 1 METER
M100= 10 METER

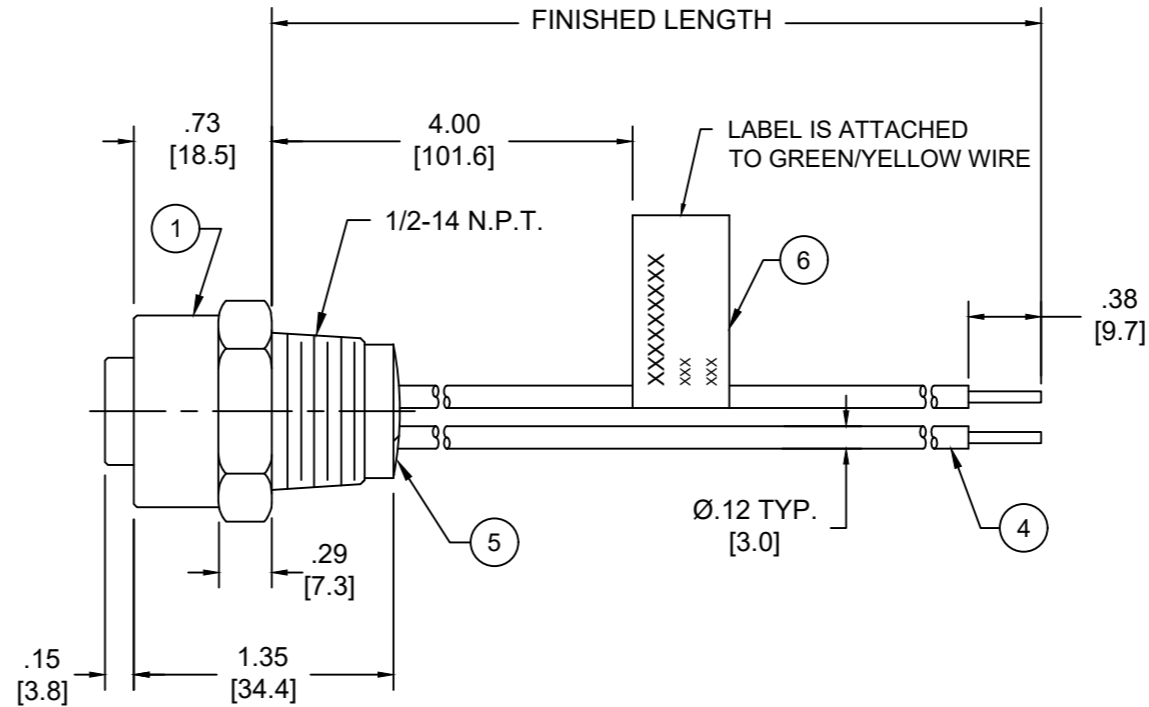
FACE VIEW-FEMALE INSERT



1 BLACK
2 WHITE
3 RED
4 GREEN/YELLOW



FEMALE - FACE VIEW

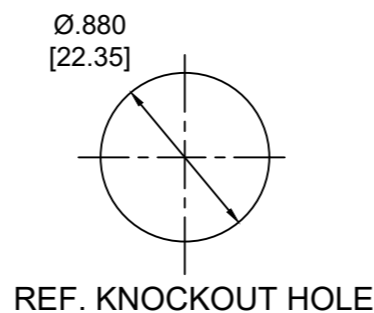


NOTES:

- MATERIAL: AS NOTED
- FINISH: AS NOTED
- ELECTRICAL:
VOLTAGE: 483V PER IEC60664
600V PER UL2238
CURRENT: 10A
- TEMP RATING: -20°TO +105°C
- PROTECTION: IP67 (WHEN MATED)
- COUPLING THREAD: 7/8-16UN
- CSA CERTIFIED FILE: LR6837
- ALL DIMENSIONS ARE FOR REFERENCE
UNLESS TOLERANCED OR NOTED OTHERWISE

CABLE LENGTH TOLERANCES	
<.3M [1FT]:	+19mm-0 [+ .75in-0]
.3 - .9M [1 - 3FT]:	+44.5mm-0 [+1.75in-0]
.9 - 1.8M [3 - 6FT]:	+55.6mm-0 [+2.19in-0]
1.8 - 3.7M [6 - 12FT]:	+88.9mm-0 [+3.50in-0]
3.7 - 7.3M [12 - 24FT]:	+165.1mm-0 [+6.50in-0]
7.3-14.6M [24 - 48FT]:	+317.5mm-0 [+12.50in-0]
14.6 - 30.5M [48-100FT]:	+622.3mm-0 [+24.50in-0]
OVER 30M [100FT]	+2% OF FINISHED LENGTH

ITEM	DESCRIPTION	MATERIAL	FINISH
6	FLAG LABEL	VINYL	BLACK/YELLOW
5	POTTING MATERIAL	EPOXY	
4	WIRE, 16 AWG (UL1015)	PVC INSULATION	SEE FACE VIEW
3	CONTACT SOCKET	COPPER ALLOY	GOLD PLATED
2	FEMALE INSERT	TPE	YELLOW
1	RECEPTACLE SHELL	ZINC DIE-CAST	NICKEL PLATED



REF. KNOCKOUT HOLE

FUNCTIONAL SYMBOLS		THIS DRAWING CONTAINS INFORMATION THAT IS PROPRIETARY TO MOLEX ELECTRONIC TECHNOLOGIES, LLC AND SHOULD NOT BE USED WITHOUT WRITTEN PERMISSION		CURRENT REV DESC: INITIAL RELEASE	
$F=0$	DIMENSION UNITS	INCH/MM	SCALE	NTS	
$F/C=0$	GENERAL TOLERANCES (UNLESS SPECIFIED)				
$F/P=0$	4 PLACES ±----		mm		INCH
DIVISIONAL SYMBOLS	3 PLACES ±----		±----		±----
	2 PLACES ±----		±----		±----
1 PLACE ±----		±----		±----	
0 PLACES ±----		±----		±----	
ANGULAR TOL ± ---- °		THIRD ANGLE PROJECTION		DRAWING	
DRAFT WHERE APPLICABLE MUST REMAIN WITHIN DIMENSIONS		SERIES		130013	
		MATERIAL NUMBER		CUSTOMER	
		1300130291		GENERAL MARKET	
		DOC TYPE		DOC PART	
		PSD		000	
		REVISION		A	
		SHEET NUMBER		1 OF 1	