

6

5

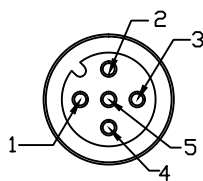
4

3

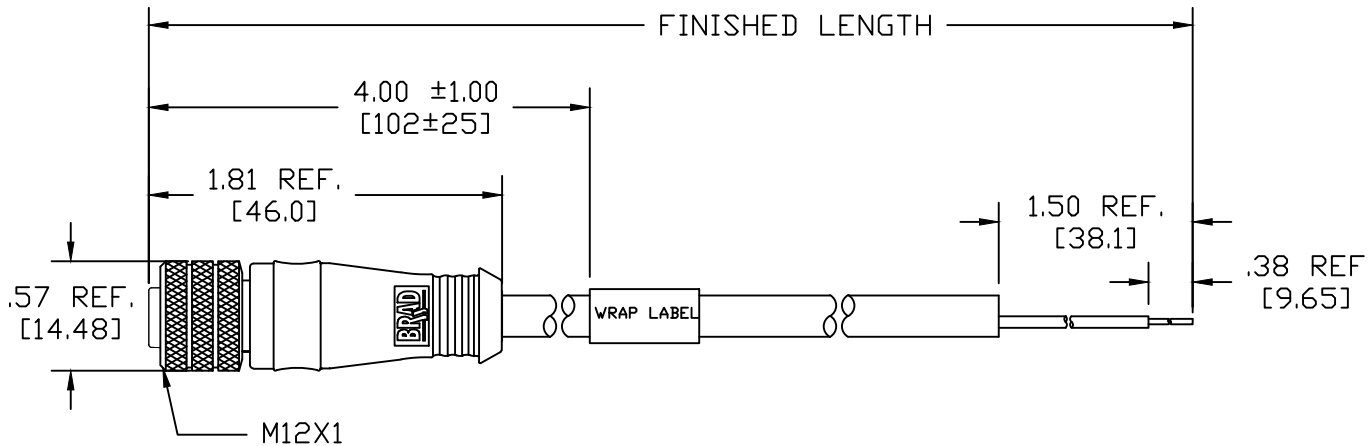
2

1

FEMALE INSERT FRONT VIEW



- 1 BROWN
- 2 WHITE
- 3 BLUE
- 4 BLACK
- 5 GRAY



805000W03M020W

Wire type
22/5C AWG Black
PVC

cable length
M020----2 Meter
M100----10 Meter

MECHANICAL
CONTACT : GOLD/NICKEL OVER COPPER ALLOY
INSERT : BLACK PUR
O-RING: RED VITON
COUPLING NUT: TEFLON COAT OVER NICKEL PLATED BRASS
MOLDED BODY: GRAY PVC
CABLE: 22 AWG 5 CONDUCTORS BLACK PVC JACKET
CABLE MARKING: W03-5 5x0.34MM² 300V PVC -5°C TO 70°C
ELECTRICAL
VOLTAGE RATING: 250V AC/DC
AMPERAGE: 4A

ENVIRONMENTAL
PROTECTION: IP67 PER IEC 60529
IP68 PER SPEC PS-120001-001
OPERATION TEMP: -5°C~70°C

RELEASE EC NO: IPG2013-1143 DRWN: TWOLDEGE 2013/01/28 CHKD: VOU APPR: JFMURPHY 2013/02/19	DESCRIPTION REV A	QUALITY SYMBOLS ▽=0 ▽C=0	GENERAL TOLERANCES (UNLESS SPECIFIED)		DIMENSION STYLE INCH/MM	SCALE 1:1	DESIGN UNITS INCH	THIRD ANGLE PROJECTION		
				mm	INCH	DRAWN BY DATE TWOLDEGE 2012/06/20	TITLE MICRO CHANGE ASSEMBLY 5-POLE FEMALE STRAIGHT 22/5 AWG BLACK PVC			
			4 PLACES	±---	±---	CHECKED BY DATE VOU				
			3 PLACES	±---	±.005	APPROVED BY DATE JFMURPHY 2013/02/19	MOLEX INCORPORATED			
2 PLACES	±0.13	±.010	MATERIAL NO.	DOCUMENT NO. SD-120001-027	SHEET NO. 1 OF 1					
1 PLACE	±0.25	±.020	ANGULAR ±.5°		THIS DRAWING CONTAINS INFORMATION THAT IS PROPRIETARY TO MOLEX INCORPORATED AND SHOULD NOT BE USED WITHOUT WRITTEN PERMISSION					
DRAFT WHERE APPLICABLE MUST REMAIN WITHIN DIMENSIONS			SIZE A							

6

5

4

3

2

1

E

E

D

D

C

C

B

B

A

A