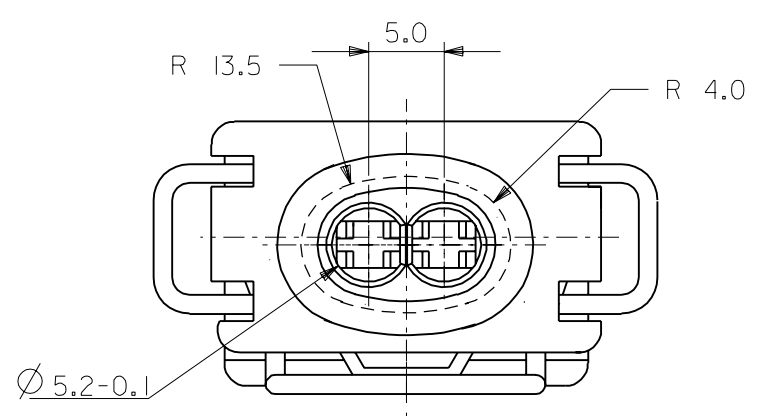
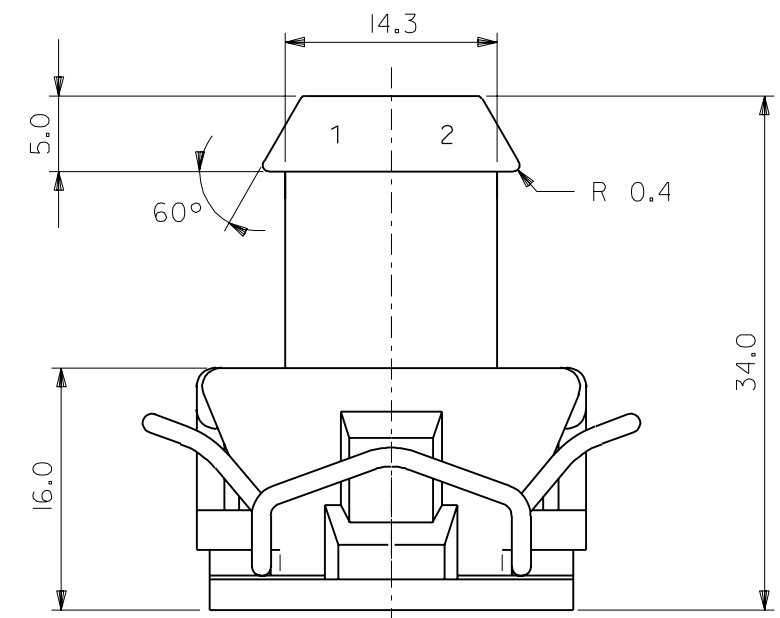
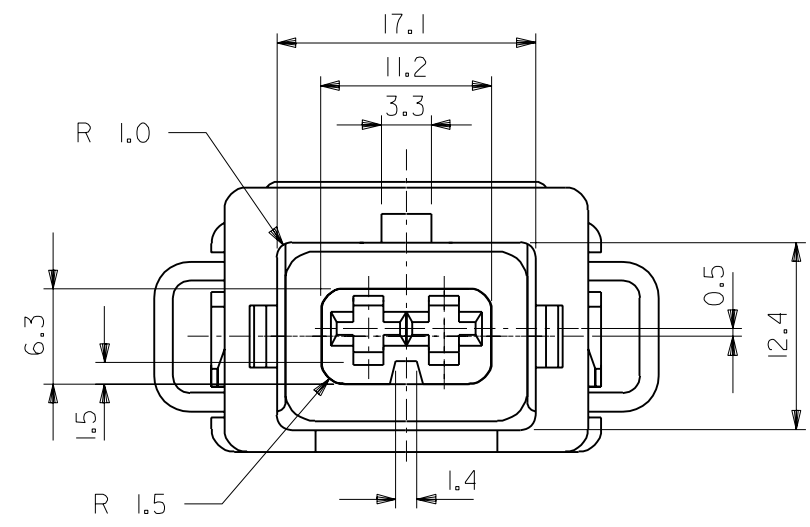
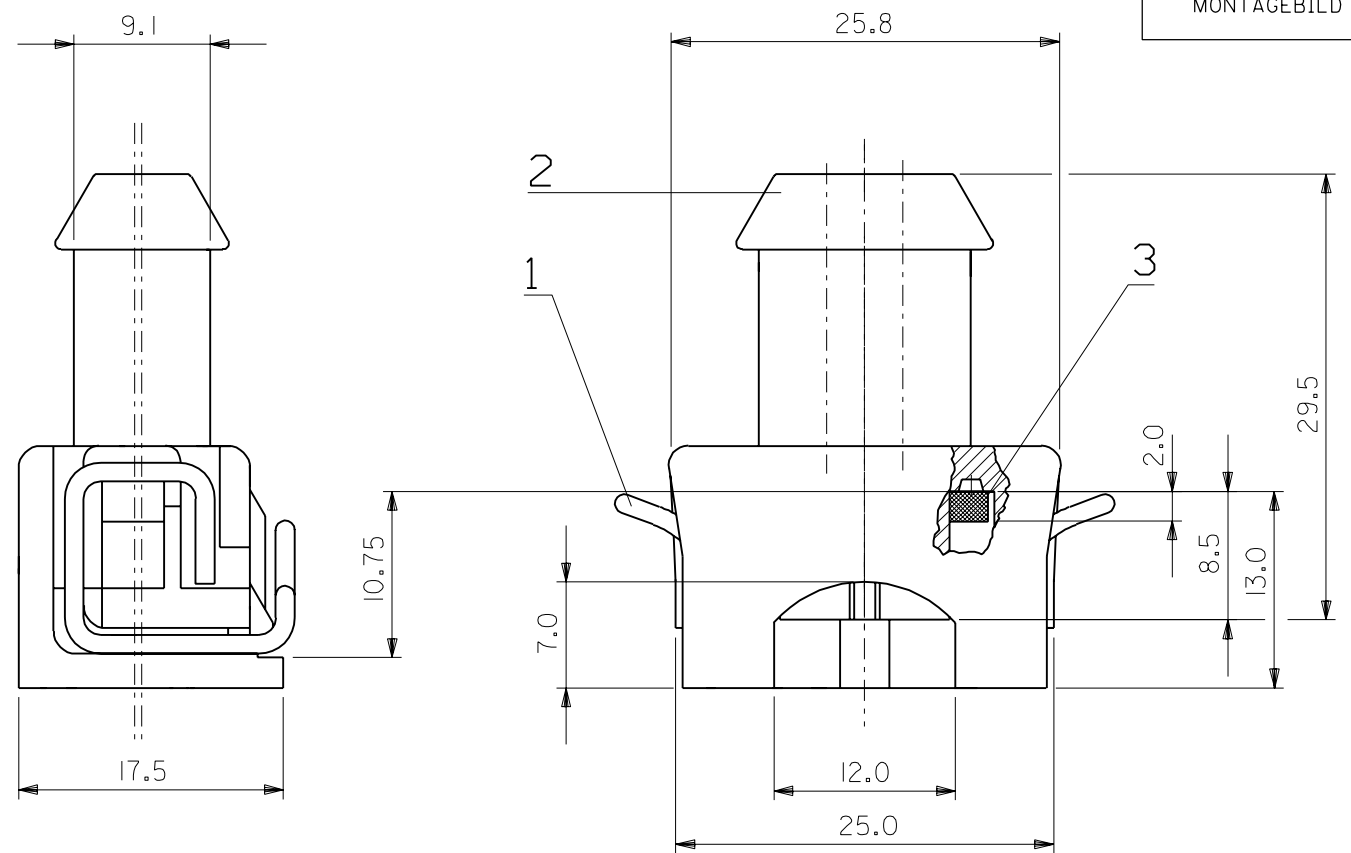
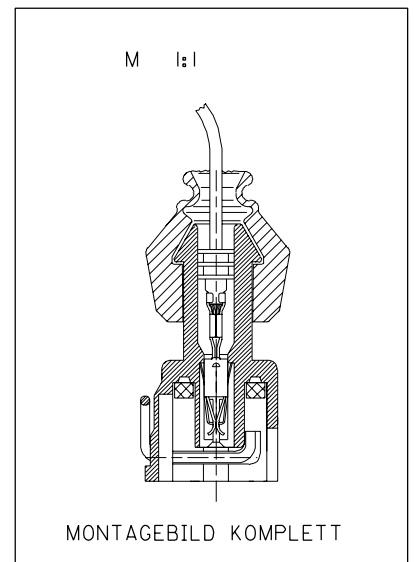


PART NO.
DWG. NO.



KAMMER PASSEND FUER KONTAKTFEDER
MB Nr. 003 545 92 26
KAMMERMASSE SIEHE
MB NR. A 140 000 99 99



TEIL	BENENNUNG	TEILE Nr.	WERKSTOFF
1	DICHTUNG	98314-0001	ELASTOMER 40 SHORE -ROT
2	GEHAEUSE	98312-0001	PA 6-6 30% GF -SCHWARZ
3	FEDERBUEGEL	98313-0001	X12 Cr Ni 17 7 1 25

FOR PREVIOUS
DRAWING ISSUES
SEE "EDIS"

ECN MXG 1073
21/06/93 MSC

REVISIONS

LTR

THIRD ANGLE PROJECTION

DIMENSIONS SHOWN (METRIC) INCH
UNLESS OTHERWISE SPECIFIED
TOLERANCES: ANGULAR ±
INCH (METRIC)

3 PLACE	±	±
2 PLACE	±	± 0.15
1 PLACE	±	± 0.15

DRAFT WHERE APPLICABLE MUST
REMAIN WITHIN DIMENSIONS

DESIGN DIMENSION (MM)
(PRIMARY) IN.

EQUIVALENT DIMENSION (MM)
(SECONDARY) IN.

DRWG BY
LBO

CHK'D BY
LBO

APP'D BY

SCALE
2:1

REVISE ONLY ON CAD SYSTEM

SH. REV.

CAD/CAM FILENAME
S98312
DCN

THIS DRAWING CONTAINS INFORMATION THAT IS PROPRIETARY TO
MOLEX INC. & SHOULD NOT BE USED WITHOUT WRITTEN PERMISSION

TITLE
VENTILSTECKER 2 POLIG
2 WAY INJECTOR CONN.

MOLEX MOLEX EUROPE

SHEET NO. DATE
1 / 1 04 / 11 / 92

PART NO. DWG NO. SIZE
98312-1001 SDA-98312 B