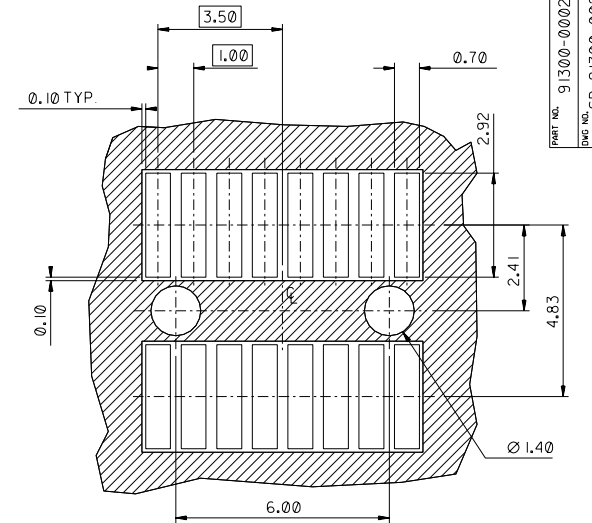


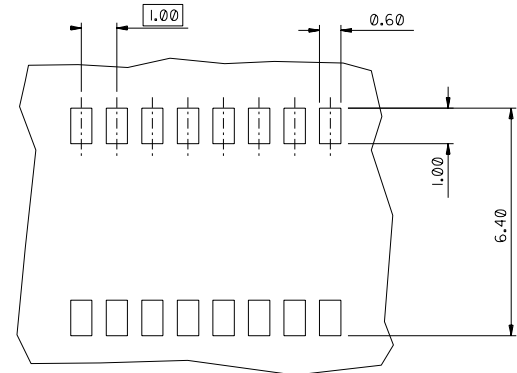
NOTES:

- MATERIALS:**
HOUSING: NYLON 46, 45% GLASS FILL. COLOUR BLACK
CONTACT: BERYLLIUM COPPER 0.10 REF THICK
- PLATING:** 1.27um MIN NICKEL UNDERCOAT OVERALL
CONTACT AREA: 0.76um Au MIN OVER NICKEL UNDERCOAT
SMT TAIL AREA: 0.10-0.20um Au OVER NICKEL UNDERCOAT
- ALL SMT TAILS ARE TO LIE WITHIN A 0.10 TOLERANCE BAND FROM EACH OTHER
- MOLEX FAMILY NUMBER 91300 AND CAVITY ID (MXI #) TEXT CHARACTER SIZE TO BE 1.0 HIGH. TEXT TO BE RECESSED 0.05 MAX BELOW SURFACE OF HOUSING
- PARTS TO BE SUPPLIED IN BLISTER PACK TAPE & REEL
- CLEARANCE FROM EDGE OF SOLDER-MASK
- WEEK No. AND YEAR CODE TO BE LASER ETCHED IN THIS AREA TEXT TO BE 1.5 HIGH, COLOUR BLACK
- TERMINAL PULL-OUT FORCE RANGES FROM 0.5N TO 4.5N

PART No	PEGS
91300-0002	YES
91300-0003	NO



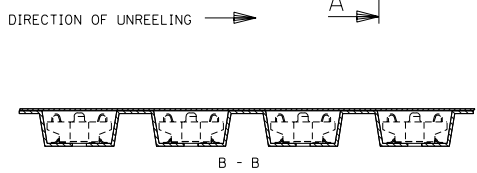
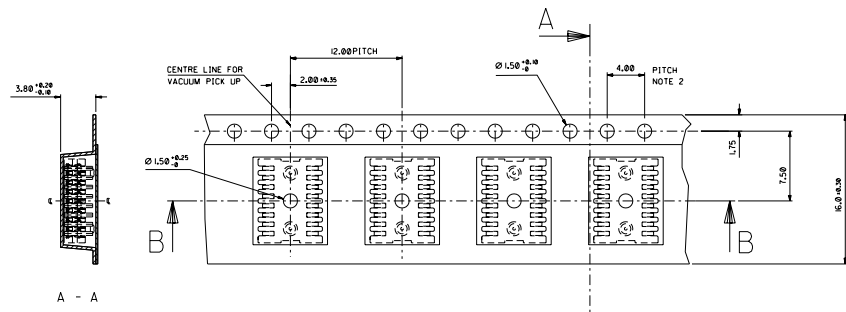
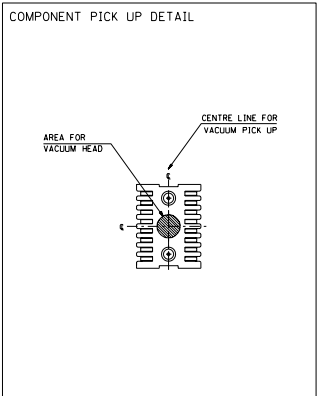
RECOMMENDED PCB LAYOUT (MATING BOARD)
VIEWED FROM MATING SIDE



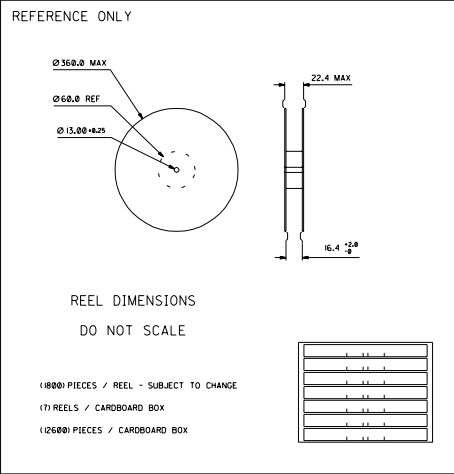
RECOMMENDED PCB LAYOUT (MAIN BOARD)
VIEWED FROM SURFACE MOUNT SIDE

PART NO. 91300-0002
DWG NO. SD-91300-002

MOD Au CONTACT EC NO. E2004-0957 DRWN: DCARTON 04/03/21 CHK: / / / APPR: / / /	QUALITY SYMBOLS MAJOR CRITICAL C	GENERAL TOLERANCES: (UNLESS SPECIFIED)	SCALE 10:1	DESIGN UNITS <input checked="" type="checkbox"/> mm <input type="checkbox"/> INCH	DIMENSIONS: <input type="checkbox"/> mm <input type="checkbox"/> INCH <input type="checkbox"/> mm <input checked="" type="checkbox"/> mm	SHT	REV
		4 PLACES ±0. ±.					
		3 PLACES ±0. ±.					
		2 PLACES ±0.05 ±.					
1 PLACE ±0.10 ±.							
ANGULAR: ± 1/2 °		DRAWN BY & DATE JFLYNN 98/03/24		THIRD ANGLE PROJECTION		TITLE: 16 CCT BOARD TO BOARD CONNECTOR	
DRAFT WHERE APPLICABLE MUST REMAIN WITHIN DIMENSIONS		CHECKED BY & DATE PGRIFFIN 98/03/24		APPROVED BY & DATE MWILHITE 98/03/24		MATERIAL NO. SEE CHART	
		CAD FILENAME S91300XI.DGN		DRAWING NO. SD-91300-002		SHEET NO. 1 OF 1	
THIS DRAWING CONTAINS INFORMATION THAT IS PROPRIETARY TO MOLEX INCORPORATED AND SHOULD NOT BE USED WITHOUT WRITTEN PERMISSION.							



PART No.	PEGS
91300-0002	YES
91300-0003	NO



- NOTES:**
- MATERIALS:
 - CARRIER TAPE: VOLVINE CONDUCTIVE POLYSTYRENE, 0.40 REF THICK, BLACK
 - COVER TAPE: COLD SEAL POLYESTER, 0.06 REF THICK, TRANSPARENT
 - PITCH TOLERANCE OVER ANY 10 PITCHES: ±0.20
 - PEEL FORCE OF THE COVER TAPE IS 0.8N TO 1.0N AT A MAXIMUM PEEL SPEED OF 300/min. ±10%
 - PACKAGING SPEC. TBA.
 - REFERENCE TO IEC 286-3 EXCEPT WHERE NOTED

ADD PART NO. ECN NO. 118 MANUFACTURING 04/02/08 DATE: 08/09/18 APPR:	QUALITY SYMBOLS 4 PLACES ±0.1 3 PLACES ±0.1 2 PLACES ±0.10 1 PLACE ±0.20 ANGULAR: ±1/2°	GENERAL TOLERANCES: UNLESS SPECIFIED DIM INCH 4 PLACES ±0.1 3 PLACES ±0.1 2 PLACES ±0.10 1 PLACE ±0.20 ANGULAR: ±1/2°	SCALE: 1:1 DESIGN UNITS: DIM INCH DRAWN BY & DATE: MKEANE 98/09/18 CHECKED BY & DATE: CTOLAN 98/09/18 APPROVED BY & DATE: MWHLHITE 98/09/18	DIMENSIONS: DIM INCH DIM M M THIRD ANGLE PROJECTION DIM INCH ONLY	SHT REV REVISION ON CAD ONLY

SMT. 1 OF 1		MRI - SD-91300-004		
MODIFICATION RECORD INDEX				
ECN	ISS.	DATE INIT	SHTS. AFFECTED	DESCRIPTION OF MOD.
E90143	A	98.10.09 MK	1	ORIGINAL ISSUE
E90276	B	99.01.20 MK	1	TOOLING STATUS REMOVED AS PER FPIR 2894 SUB 1

MOLEX EUROPE	REVISE ONLY ON CAD SYSTEM
<small>THIS DRAWING CONTAINS INFORMATION THAT IS PROPRIETARY TO MOLEX INCORPORATED AND SHOULD NOT BE USED WITHOUT WRITTEN PERMISSION. (UF 6028)</small>	<small>OWNER FILE NAME: S91300X2</small> <small>DATE: 08/09/18</small> <small>BY: DGN</small> <small>SIZE: B</small>

LEVEL CHART

1	17	33	49
2	18	34	50
3	19	35	51 LEVEL INDEX
4	20	36	52 RESERVED
5	21	37	53 RESERVED
6	22	38	54 RESERVED
7	23	39	55 DIMENSIONS
8	24	40	56 TABLES/CHARTS
9	25	41	57 REVISION TEXT & MRI
10	26	42	58 NOTES/TEXT
11	27	43	59
12	28	44	60 RESERVED
13	29	45	61
14	30	46	62
15	31	47	63 RESERVED
16	32	48	