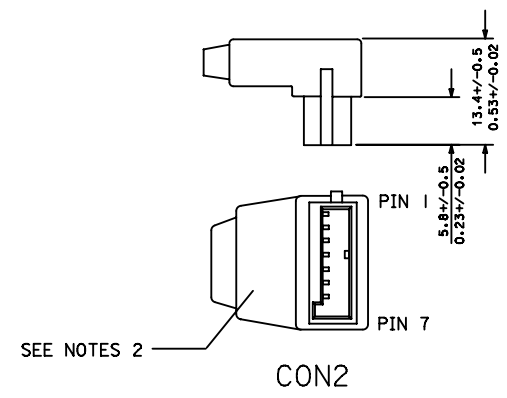


NOTE:
PHYSICAL
 1. INNER MOLD WITH PE RESIN 887800008;
 OUTER MOLD WITH BLACK PVC RESIN 887800019.
 2. INNER MOLD WITH PE RESIN 887800008;
 OUTER MOLD WITH BLACK PVC RESIN 887800042.
ELECTRICAL PERFORMANCE:
 3. DIELECTRONIC STRENGTH: 500V DC
 4. INSULATION RESISTANCE: 100M OHMS Min.
 5. CONDUCTIVE RESISTOR: 2 OHMS Max.

WIRE CHART

PIN 7	—	PIN 7
PIN 4	—	PIN 4
PIN 1	—	PIN 1
PIN 6	—	PIN 6
PIN 5	—	PIN 5
PIN 3	—	PIN 3
PIN 2	—	PIN 2
CON1		CON2



887625400	500mm	20 INCH
MOLEX P/N	LENGTH	LENGTH

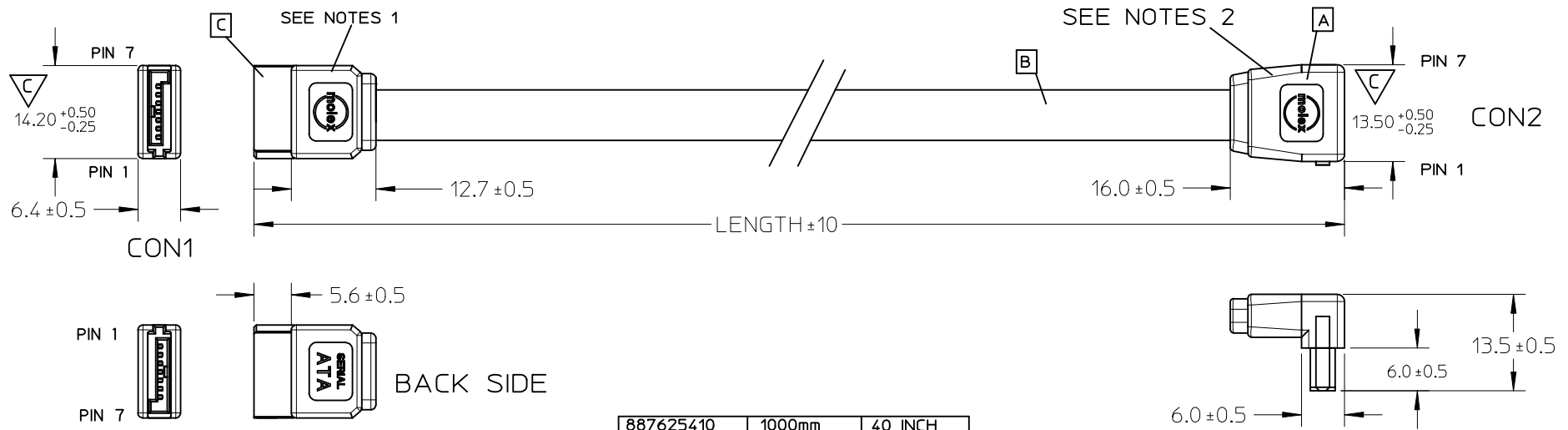
C	S-ATA STRAIGHT CONN. 675380001		1
B	2PX26AWG S-ATA CABLE RED 887808052	N/A	1
A	S-ATA R/A CONN. 887899745		1
ITEM	DESCRIPTION	L	QTY.

THIS DRAWING CONTAINS INFORMATION THAT IS PROPRIETARY TO MOLEX ELECTRONIC TECHNOLOGIES, LLC AND SHOULD NOT BE USED WITHOUT WRITTEN PERMISSION

DIMENSION UNITS	SCALE	CURRENT REV	DESC: OBSOLETE PART NUMBER	molex		
mm	NTS	NUMBER	NUMBER			
GENERAL TOLERANCES (UNLESS SPECIFIED)				S-ATA SIGNAL CABLE		
	MM	INCH	EC NO: 632260	PRODUCT CUSTOMER DRAWING		
4 PLACES	±	±	DRWN: AKUMAR19 2020/02/10	DOCUMENT NUMBER		
3 PLACES	±	±	CHK'D: GGA 2020/02/28	SD-88755-009		
2 PLACES	±	±	APPR: GGA 2020/02/28	DOC TYPE		
1 PLACE	±	±	INITIAL REVISION:	PSD		
0 PLACES	±	±	DRWN: LOUID CHEN 2003/11/24	001		
ANGULAR TOL ± °				REVISION		
DRAFT WHERE APPLICABLE MUST REMAIN WITHIN DIMENSIONS				B		
THIRD ANGLE PROJECTION		DRAWING	SERIES	MATERIAL NUMBER	CUSTOMER	SHEET NUMBER
		A4-SIZE	88755	SEE TABLE	GENERAL MARKET	1 OF 1

DOCUMENT STATUS	P1	RELEASE DATE	2020/02/28	02:39:20
-----------------	----	--------------	------------	----------

REVISION				
EC NO.	DATE	REV.	DESCRIPTION	CHANGER
CY15-5216	2016/01/19	K	CHANGE CABLE	FZHANG01



887625410	1000mm	40 INCH
887625400	500mm	20 INCH
MOLEX P/N	LENGTH	LENGTH

WIRE CHART

PIN 1	PIN 1	GND
PIN 2	PIN 2	DATA A+
PIN 3	PIN 3	DATA A-
PIN 4	PIN 4	GND
PIN 5	PIN 5	DATA B-
PIN 6	PIN 6	DATA B+
PIN 7	PIN 7	GND
CON1	CON2	SIGNAL

ITEM	DESCRIPTION	QTY.
C	S-ATA STRAIGHT CONN.	1
B	2PX26AWG,SHLD,PVC,RD,2.2X7.6MM,SATA 1.0	1
A	S-ATA R/A CONN.	1

- NOTE:
- INNER MOLD WITH PE RESIN
OUTER MOLD WITH BLACK PVC RESIN.
 - INNER MOLD WITH PE RESIN;
OUTER MOLD WITH BLACK PVC RESIN
 - DIELECTRONIC STRENGTH:500V DC
 - INSULATION RESISTANCE:100M OHMS Min.
 - CONDUCTIVE RESISTOR: 2 OHMS Max.
 - THIS PRODUCT MUST MEET EU CHEMICAL SUBSTANCE SPECIFICATION FOR PRODUCTS.(EU 2002/95/EC)
 - CABLE CAN WITHSTAND 250 CYCLES BENDING TEST, REFER EIA 364-41 CONDITION II.
 - CABLE CAN WITHSTAND 40N LOAD PULL FORCE FOR 1MINUTE, REFER EIA 364-38A

ENTER DESCRIPTION EC NO: CPG2016-2908 DRW: XJGU001 2016/01/27 CHKD: FZHANG01 2016/01/27 APPR: FNIE 2016/01/28	QUALITY SYMBOLS ▼=0 ▽=2	GENERAL TOLERANCES (UNLESS SPECIFIED)		DIMENSION STYLE MM ONLY		SCALE	DESIGN UNITS METRIC	THIRD ANGLE PROJECTION		
		4 PLACES	±---	±---	DRAWN BY JLIU13	DATE 2005/03/24	TITLE S-ATA STRAIGHT TO RIGHT ANGEL SIGNAL RED CABLE, 0.5M, 1M			
		3 PLACES	±---	±---	CHECKED BY TEDDY	DATE 2005/03/24				
		2 PLACES	±---	±---	APPROVED BY BORON	DATE 2005/03/24				
1 PLACE	±---	±---	ANGULAR ±---°		MATERIAL NO. 887625400		DOCUMENT NO. SD-88762-5400		SHEET NO. 1 OF 1	
DRAFT WHERE APPLICABLE MUST REMAIN WITHIN DIMENSIONS		THIS DRAWING CONTAINS INFORMATION THAT IS PROPRIETARY TO MOLEX INCORPORATED AND SHOULD NOT BE USED WITHOUT WRITTEN PERMISSION								

6

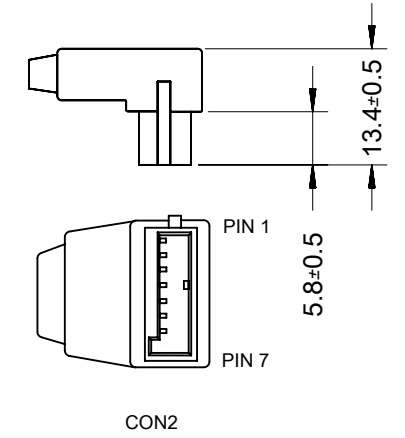
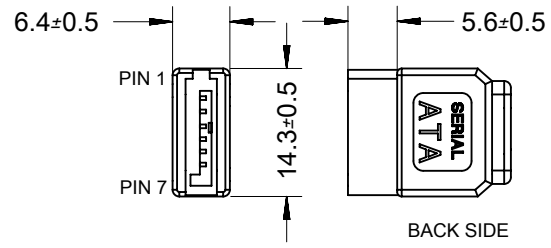
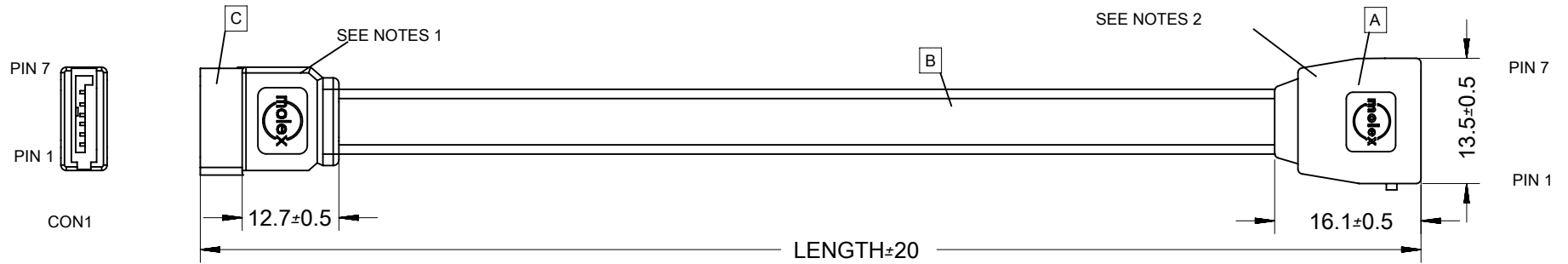
5

4

3

2

1



- NOTE:
- PHYSICAL
- INNER MOLD WITH PE RESIN 887800008;
OUTER MOLD WITH BLACK PVC RESIN 887800019.
 - INNER MOLD WITH PE RESIN 887800008;
OUTER MOLD WITH BLACK PVC RESIN 887800042.
- ELECTRICAL PERFORMANCE:
- DIELECTRONIC STRENGTH:500V DC
 - INSULATION RESISTANCE:100M OHMS Min.
 - CONDUCTIVE RESISTOR: 2 OHMS Max.

WIRE CHART

PIN 7	---	PIN 7
PIN 4	---	PIN 4
PIN 1	---	PIN 1
PIN 6	---	PIN 6
PIN 5	---	PIN 5
PIN 3	---	PIN 3
PIN 2	---	PIN 2
CON1		CON2

887625400	500mm	20 INCH
MOLEX P/N	LENGTH	LENGTH

C	S-ATA STRAIGHT CONN. 674898002	1
B	2PX26AWG S-ATA CABLE RED 887808052	1
A	S-ATA R/A CONN. 887899745	1
ITEM	DESCRIPTION	QTY.

THIS DRAWING CONTAINS INFORMATION THAT IS PROPRIETARY TO MOLEX ELECTRONIC TECHNOLOGIES, LLC AND SHOULD NOT BE USED WITHOUT WRITTEN PERMISSION

DIMENSION UNITS	SCALE	CURRENT REV DESC: OBSOLETE PART NUMBER					
mm	NTS						
GENERAL TOLERANCES (UNLESS SPECIFIED)		EC NO: 632260		S-ATA ST TO R/A RED 1.0M CABLE ASS'Y			
	MM	INCH					
4 PLACES	±	±	DRWN: AKUMAR19	2020/02/10		PRODUCT CUSTOMER DRAWING	
3 PLACES	±	±	CHK'D: GGA	2020/02/28			
2 PLACES	±	±	APPR: GGA	2020/02/28			
1 PLACE	±	±	INITIAL REVISION:		DOCUMENT NUMBER		
0 PLACES	±	±	DRWN: JLIU13	2005/03/34			
ANGULAR TOL ± °		APPR: BORON		2005/03/24	SD-88762-5410		
DRAFT WHERE APPLICABLE MUST REMAIN WITHIN DIMENSIONS		THIRD ANGLE PROJECTION	DRAWING	SERIES	MATERIAL NUMBER	CUSTOMER	SHEET NUMBER
			A4-SIZE	88762	SEE TABLE	GENERAL MARKET	1 OF 1

DOCUMENT STATUS	P1	RELEASE DATE	2020/02/28	02:39:21
-----------------	----	--------------	------------	----------

6

5

4

3

2

1