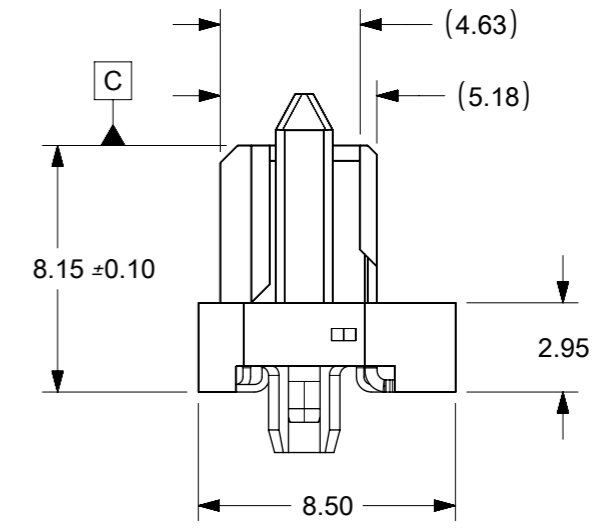
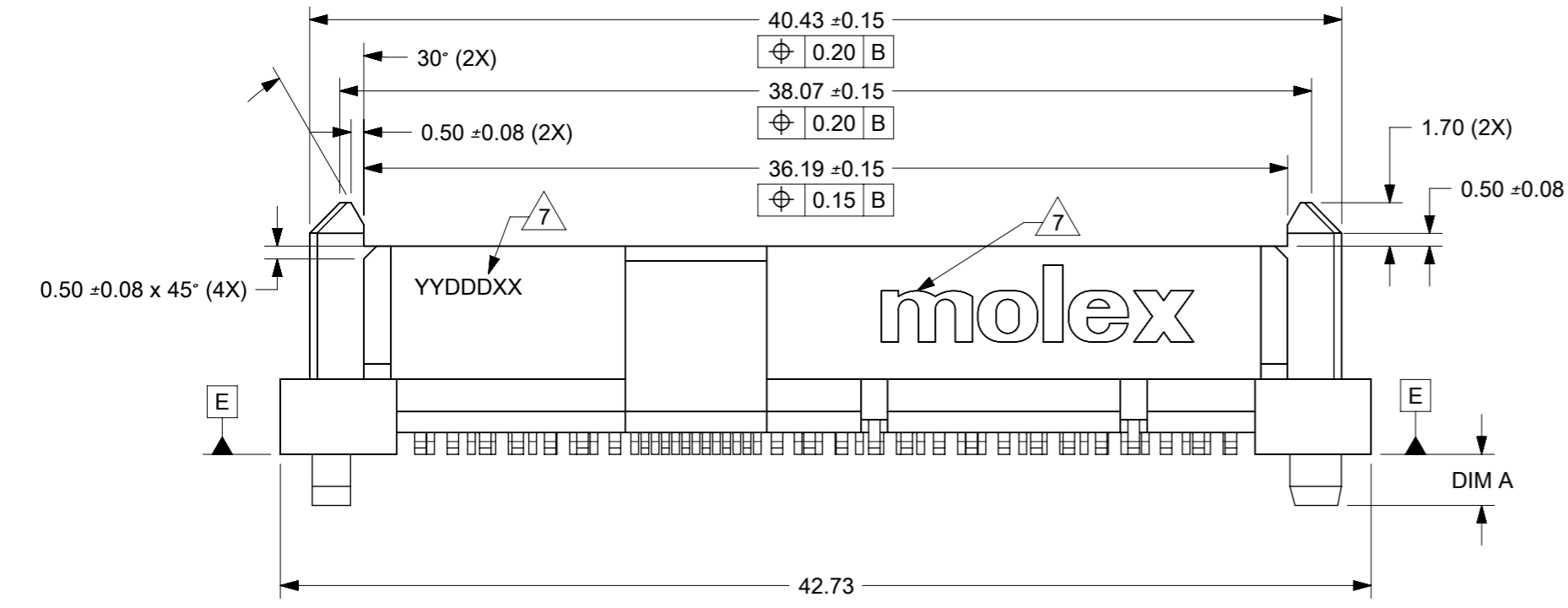


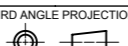


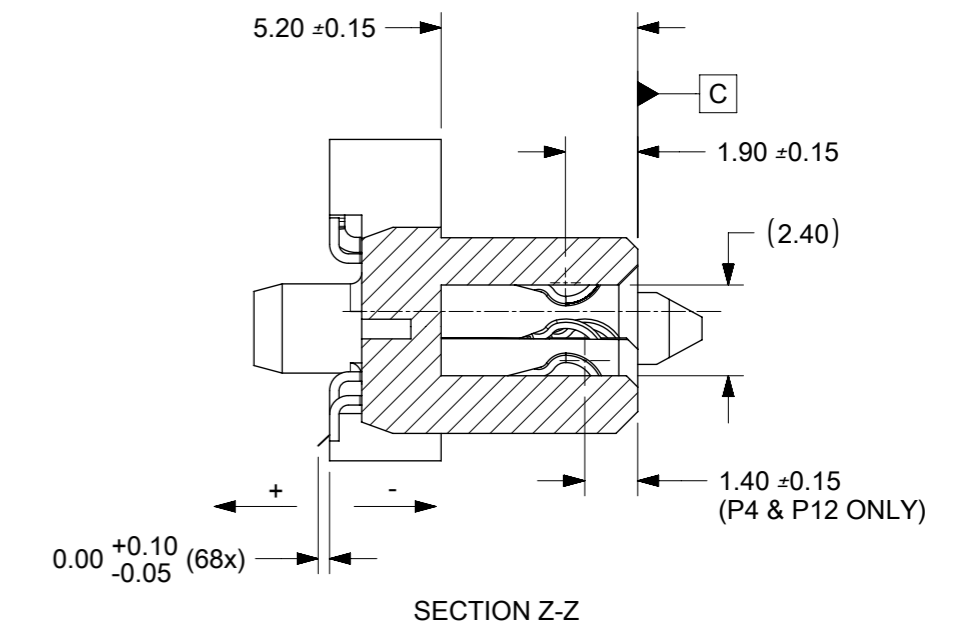
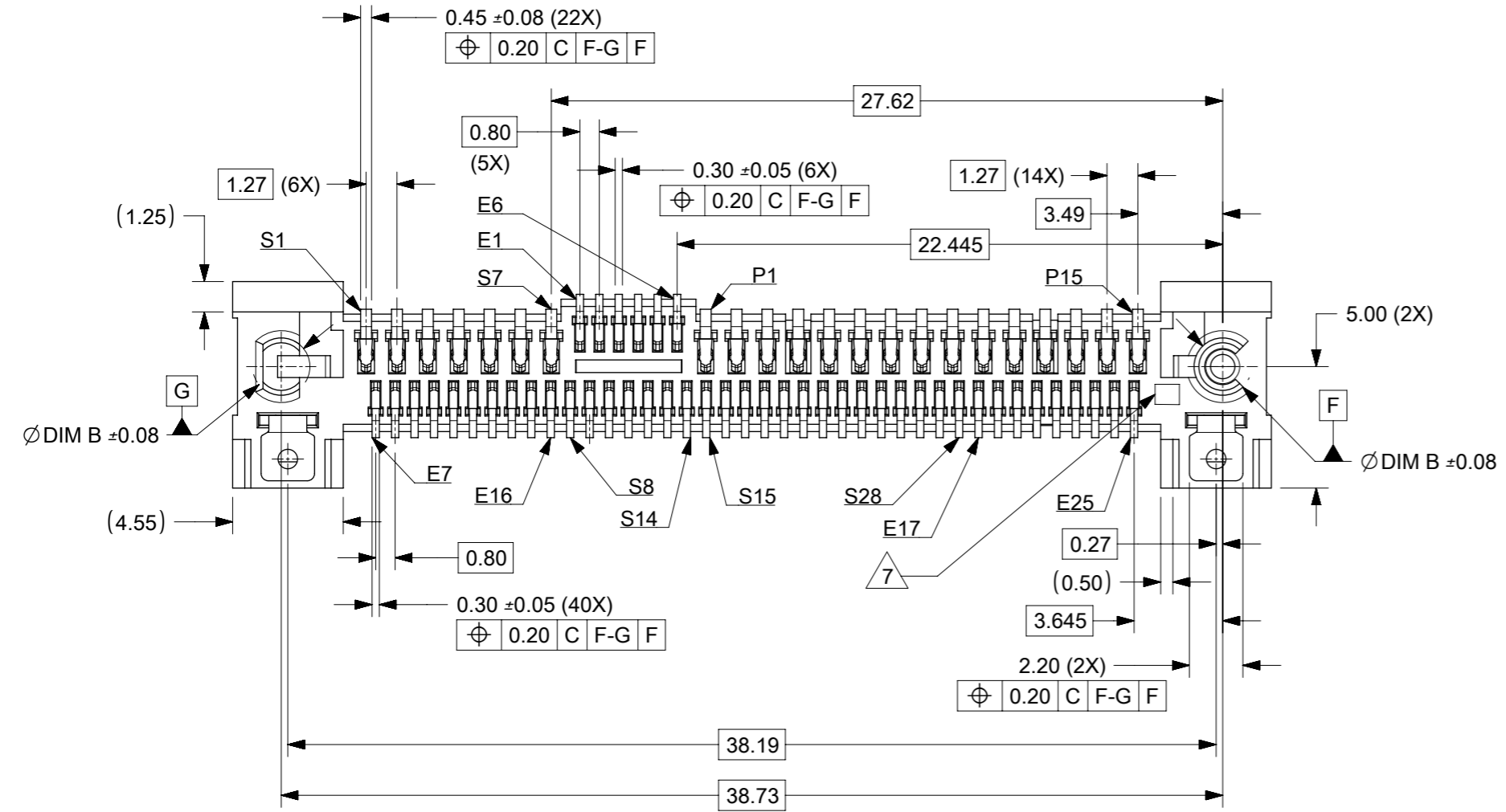
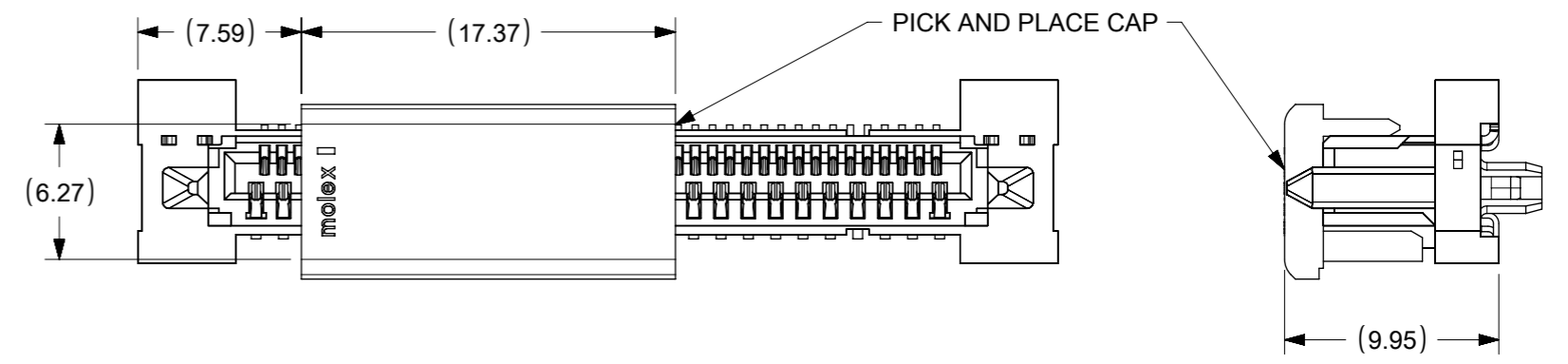
- NOTES:
- MATERIALS:
HOUSING: LCP, GLASS FILLED, UL94V-0, COLOR: BLACK
TERMINALS & SMT CLIPS: COPPER ALLOY
 - FINISHES:
TERMINALS:
0.76µM MIN GOLD ON CONTACTS OVER 1.27µM MIN NICKEL UNDERPLATE.
2.54µM MIN TIN ON SOLDER TAIL OVER 1.27µM MIN NICKEL UNDERPLATE.
SMT CLIPS:
2.54µM MIN TIN OVER 1.27µM MIN NICKEL UNDERPLATE
 - PRODUCT SPECIFICATION: PS-78757-001
 - PACKAGING SPECIFICATION: PK-78757-001
 - REFER TO AS-78757-001 FOR PCB ROUTING RECOMMENDATIONS.
 - NON FUNCTIONAL CORING TO VARIES.
 - MOLEX LOGO, DATE CODE AND CAVITY ID TO BE LOCATED APPROXIMATELY AS SHOWN.
 - PRODUCT IS COMPLIANT TO RoHS DIRECTIVE WITH THE FOLLOWING BANNED SUBSTANCES - LEAD, MERCURY, CADMIUM, HEXAVALENT CHROMIUM, POLYBROMINATED BIPHENYLS AND POLYBROMINATED DIPHENYL ETHERS.



 YYDDXX
 YEAR →
 DAYS →
 ASSEMBLY LINE CODE
 1# = EXISTING LINE
 2# = NEW LINE

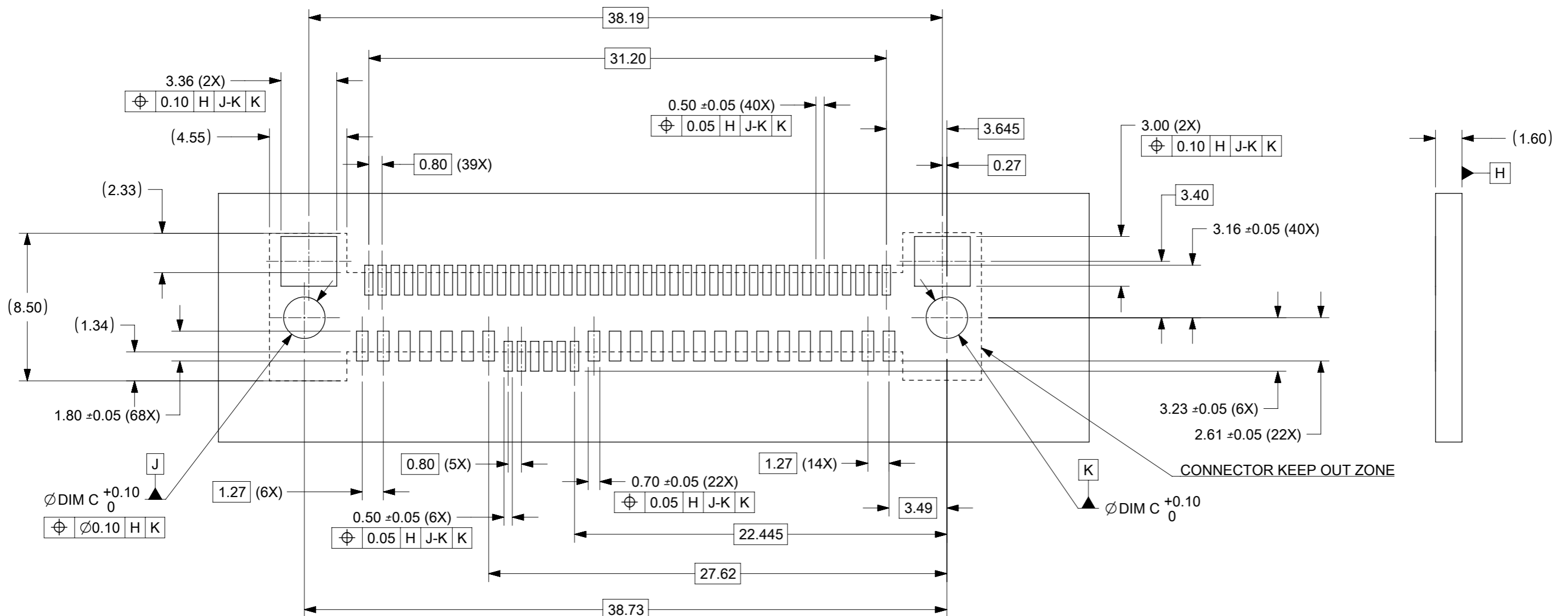
| | | | | | | | | | | | |
|---|--|--|--|----------------|--|---|--|---------|--|--|--|
| THIS DRAWING CONTAINS INFORMATION THAT IS PROPRIETARY TO MOLEX ELECTRONIC TECHNOLOGIES, LLC AND SHOULD NOT BE USED WITHOUT WRITTEN PERMISSION | | | | | | | | | | | |
| SYMBOLS | | DIMENSION UNITS | | SCALE | | CURRENT REV DESC: ADD CORE OUT | | | |  SAS/PCIE STD HEIGHT BACKPLANE SMT RECEPTACLE (SMT MOUNT) | |
| ▽ = 0 | | mm | | | | | | | | | |
| ▽ = 0 | | GENERAL TOLERANCES (UNLESS SPECIFIED) | | | | EC NO: 178318 | | | | DOCUMENT NUMBER | |
| ▽ = 0 | | ANGULAR TOL ± 3.0° | | | | DRWN: RCHEN55 2018/06/21 | | | | DOC TYPE | |
| ▽ = 0 | | 4 PLACES ± | | | | CHK'D: SHONG 2018/07/05 | | | | DOC PART | |
| ▽ = 0 | | 3 PLACES ± | | | | APPR: SHONG 2018/07/05 | | | | REVISION | |
| ▽ = 0 | | 2 PLACES ± 0.2 | | | | INITIAL REVISION: | | | | SD-78757-001 | |
| ▽ = 0 | | 1 PLACE ± | | | | DRWN: SKANG 2014/09/23 | | | | PSD | |
| ▽ = 0 | | 0 PLACES ± | | | | APPR: SHONG 2014/09/30 | | | | 000 | |
| □ = 0 | | DRAFT WHERE APPLICABLE MUST REMAIN WITHIN DIMENSIONS | | | | THIRD ANGLE PROJECTION | | DRAWING | | SERIES | |
| ▽ = 0 | | | | | |  | | A3-SIZE | | 78757 | |
| | | MATERIAL NUMBER | | CUSTOMER | | SHEET NUMBER | | | | | |
| | | SEE TABLE | | GENERAL MARKET | | 1 OF 3 | | | | | |

| PART NO. | PACKAGING SPECIFICATION | PACKAGING | DIM A | DIM B | DIM C |
|------------|-------------------------|---------------|-------|-------|-------|
| 78757-0001 | PK-78757-001 | TAPE AND REEL | 2.00 | Ø2.36 | Ø2.50 |
| 78757-0002 | PK-78757-002 | TRAY | | | |
| 78757-0004 | PK-78757-001 | TAPE AND REEL | 1.00 | Ø1.26 | Ø1.40 |
| 78757-0005 | PK-78757-002 | TRAY | | | |
| 78757-0006 | PK-78757-001 | TAPE AND REEL | 1.00 | Ø0.80 | Ø0.90 |

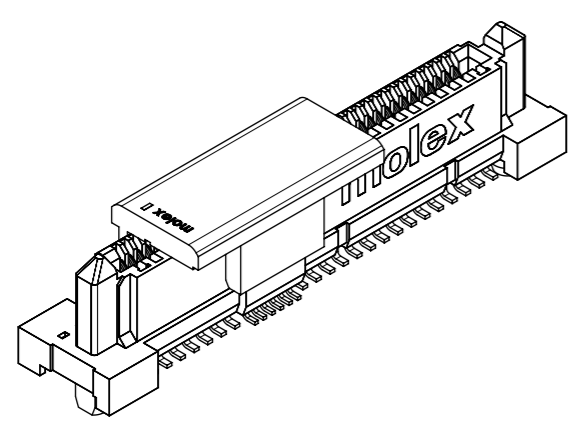


| | | | | | |
|---------|---|---------|--------------------------------|-----------------|----------------------------|
| SYMBOLS | THIS DRAWING CONTAINS INFORMATION THAT IS PROPRIETARY TO MOLEX ELECTRONIC TECHNOLOGIES, LLC AND SHOULD NOT BE USED WITHOUT WRITTEN PERMISSION | | CURRENT REV DESC: ADD CORE OUT | | molex |
| | DIMENSION UNITS | SCALE | | | |
| ▽ = 0 | mm | | | | |
| ▽ = 0 | GENERAL TOLERANCES (UNLESS SPECIFIED) | | | | |
| ▽ = 0 | ANGULAR TOL ± 3.0° | | | | |
| ▽ = 0 | 4 PLACES ± | | EC NO: 178318 | 2018/06/21 | |
| ▽ = 0 | 3 PLACES ± | | DRWN: RCHEN55 | 2018/07/05 | |
| ▽ = 0 | 2 PLACES ± | 0.2 | CHK'D: SHONG | 2018/07/05 | |
| ▽ = 0 | 1 PLACE ± | | APPR: SHONG | | |
| ▽ = 0 | 0 PLACES ± | | INITIAL REVISION: | | |
| □ = 0 | DRAFT WHERE APPLICABLE MUST REMAIN WITHIN DIMENSIONS | | DRWN: SKANG | 2014/09/23 | |
| ▽ = 0 | THIRD ANGLE PROJECTION | | APPR: SHONG | 2014/09/30 | |
| | | DRAWING | SERIES | MATERIAL NUMBER | CUSTOMER |
| | | A3-SIZE | 78757 | SEE TABLE | GENERAL MARKET |
| | | | | DOCUMENT NUMBER | DOC TYPE DOC PART REVISION |
| | | | | SD-78757-001 | PSD 000 C |
| | | | | SHEET NUMBER | |
| | | | | 2 OF 3 | |

| | | | | |
|-----------------|----|--------------|------------|----------|
| DOCUMENT STATUS | P1 | RELEASE DATE | 2018/07/05 | 01:59:54 |
|-----------------|----|--------------|------------|----------|



RECOMMENDED PCB LAYOUT
PCB THICKNESS: 1.60±0.10 MM



| | | | | | | | |
|---------|----|---|--|--------------------------------|--|---|--|
| SYMBOLS | | THIS DRAWING CONTAINS INFORMATION THAT IS PROPRIETARY TO MOLEX ELECTRONIC TECHNOLOGIES, LLC AND SHOULD NOT BE USED WITHOUT WRITTEN PERMISSION | | CURRENT REV DESC: ADD CORE OUT | | | |
| ▽ = 0 | mm | GENERAL TOLERANCES (UNLESS SPECIFIED) | | EC NO: 178318 | | | |
| ▽ = 0 | | ANGULAR TOL ± 3.0° | | DRWN: RCHEN55 2018/06/21 | | STD HEIGHT BACKPLANE SMT RECEPTACLE (SMT MOUNT) | |
| ▽ = 0 | | 4 PLACES ± | | CHK'D: SHONG 2018/07/05 | | PRODUCT CUSTOMER DRAWING | |
| ▽ = 0 | | 3 PLACES ± | | APPR: SHONG 2018/07/05 | | DOCUMENT NUMBER | |
| ▽ = 0 | | 2 PLACES ± 0.2 | | INITIAL REVISION: | | SD-78757-001 | |
| ▽ = 0 | | 1 PLACE ± | | DRWN: SKANG 2014/09/23 | | DOC TYPE | |
| ▽ = 0 | | 0 PLACES ± | | APPR: SHONG 2014/09/30 | | PSD | |
| ▽ = 0 | | DRAFT WHERE APPLICABLE MUST REMAIN WITHIN DIMENSIONS | | THIRD ANGLE PROJECTION | | DOC PART | |
| ▽ = 0 | | | | DRAWING | | REVISION | |
| | | | | SERIES | | C | |
| | | | | MATERIAL NUMBER | | SEE TABLE | |
| | | | | CUSTOMER | | GENERAL MARKET | |
| | | | | SHEET NUMBER | | 3 OF 3 | |

| | | | | |
|-----------------|----|--------------|------------|----------|
| DOCUMENT STATUS | P1 | RELEASE DATE | 2018/07/05 | 01:59:54 |
|-----------------|----|--------------|------------|----------|