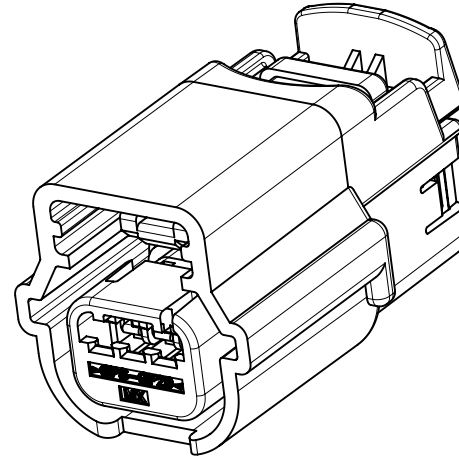
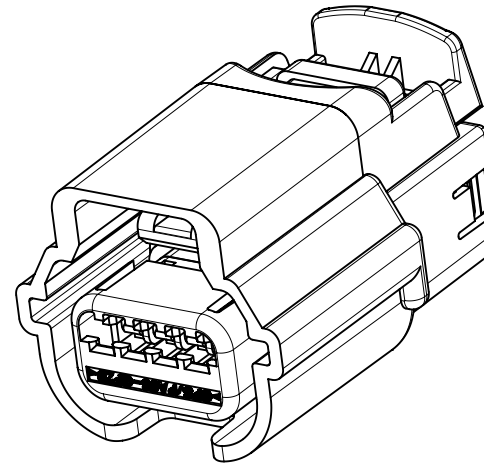


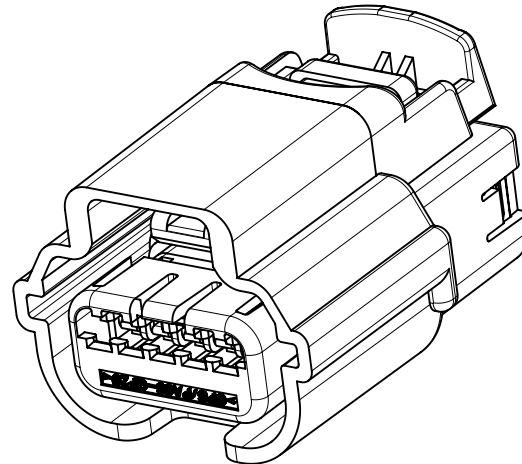
1X2



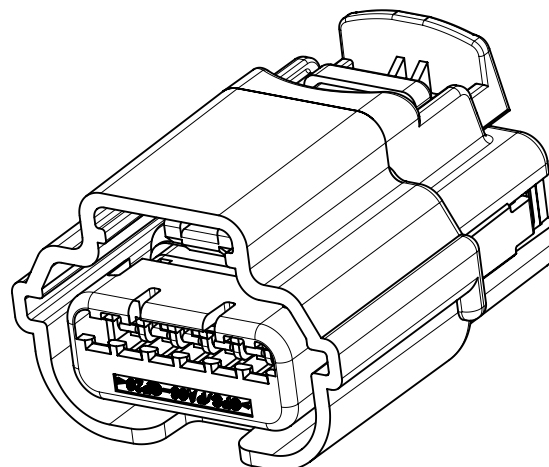
1X3



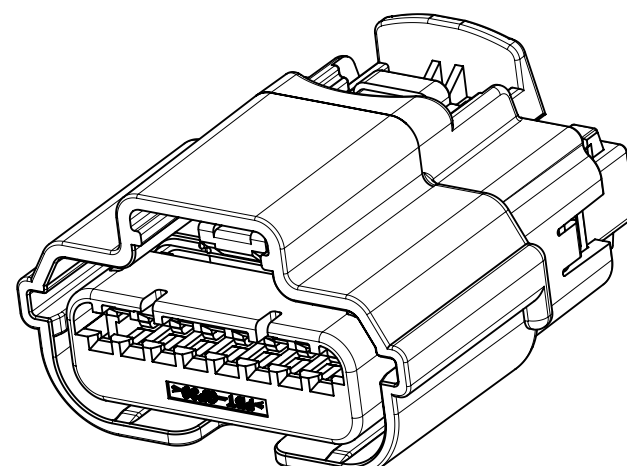
1X4



1X5



1X6



1X8

TABLE OF CONTENTS	
SHEET NO.	SHEET DESCRIPTION
1	NOTES AND BOM
2	CONNECTOR ASSEMBLY WITHOUT CLIPSLOT
3	CONNECTOR ASSEMBLY WITH CLIPSLOT
4-5	KEY CONFIGURATIONS
6-9	BOM

DRAWING INFORMATION	
DESCRIPTION	DRAWING NO.
PRODUCT SPECIFICATION	PS-31402-000
	FOR 31404 1X8 REFER TO PS-31404-001-1X8
PACKAGING	PK-31300-256
SALES DRAWING	SD-31402-211
	FOR 31404 1X8 REFER TO SD-31404-811
TEST SUMMARY	FOR 1X2 REFER TO TS-31402-001-1X2
	FOR 1X3 REFER TO TS-31402-001-1X3
	FOR 1X6 REFER TO TS-31402-001-1X6
	FOR 31404 1X8 REFER TO TS-31404-001-1X8

MATING INTERFACE DRAWING	
DESCRIPTION	INTERFACE DEFINITION
1X2	*064-S-002-1-Z02
1X3	*064-S-003-1-Z01
1X4	*064-S-004-1-Z02
1X5	*064-S-005-1-Z02
1X6	*064-S-006-1-Z02
1X8	*064-S-008-1-Z02

NOTES: VALID UNLESS OTHERWISE SPECIFIED

1. GENERAL:
 - a. APPLICATION SPECIFICATION SEE: AS-31402-000
 - CONTAINS: SEE AS CONTENT
 - DESIGNED TO MATE WITH DEVICE OR CONNECTOR AS SPECIFIED IN THE MATING INTERFACE DRAWINGS CHART.
 - *DENOTES DRAWINGS THAT CAN BE ACCESSED AT <http://ewcap.uscarteams.org/>.
 - ASSEMBLY SHIPPED WITH PLR IN PRE-LOCK POSITION (SEE PLR PRE-LOCK VIEW ON SHEET 2 SECTION A-A).
 - b. PRODUCT RELATED DRAWING REFER TO DRAWING INFORMATION CHART
 - c. TPA'S MAY BECOME SEATED DURING TRANSIT. IF THIS OCCURS, TPA'S SHOULD BE MOVED TO THE PRE-LOCKED POSITION PRIOR TO FEMALE TERMINAL INSTALLATION. REFERENCE PRODUCT SPECIFICATION: PS-34646-001
 - d. PARTS MUST BE IN COMPLIANCE TO MOLEX CHEMICAL SUBSTANCES FOR PRODUCTS AND PACKAGING SPECIFICATION: QEHS-699000-301
 - e. DATA MUST BE SUBMITTED UNDER THE MOLEX PART NUMBER TO IMDS (COMPANY ID#13255)
 - f. SYSTEM EXCEPT SERIES 31404 1X8 CIRCUIT TO BE USED WITH OUTSIDE WIRE DIAMETERS RANGING FROM 1.20MM TO 2.06MM WITHIN RANGE OF:
 - SAE 22 AWG TO 18 AWG PER ESB-M1L123-A2
 - ISO 0.35MM² TO 0.75MM² PER GMW15626 AND ES-AU5T-1A348-AA
 - g. POLARIZATION FEATURE EFFECTIVENESS PER USCAR-2 PARAGRAPH 5.4.4 IS REDUCED WHEN TESTING ALL POLARIZATION OPTIONS: 100N MIN.
 - h. SEE SHEET #3 FOR CONNECTOR ASSEMBLY WITH CLIPSLOP
 - i. FOR CLIPSSLOT CONNECTOR: CLIP OVERHANGS CONNECTOR, PLEASE CHECK APPLICATION (COULD CAUSE WIRE CHAFING)-SHORTER CLIP IS A RECOMMENDATION.

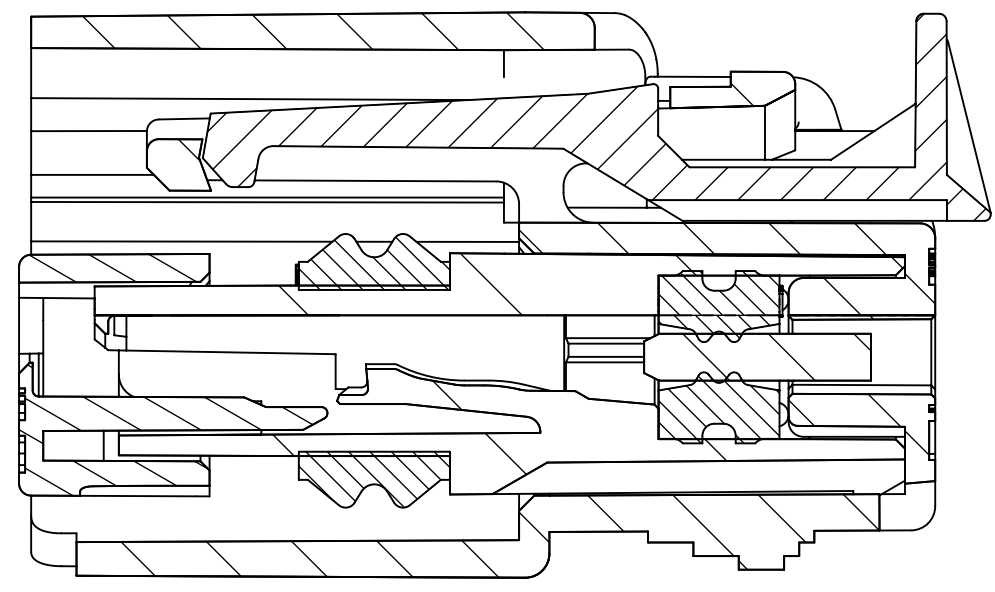
2. DESIGN - GEOMETRY:
 - a. THE 3-D CAD DATA IS BASIC (WITHOUT TOLERANCE) AND MASTER FOR THIS PART WITH THE EXCEPTION OF UNDERLINED DIMENSIONS. DIMENSIONAL INFORMATION NOT SHOWN ON THIS DRAWING IS DEFINED BY THE DATA FILE AT ITS LATEST REVISION.
 - b. GEOMETRIC DIMENSIONS AND TOLERANCES PER ASME Y14.5M-2009
 - c. EDGES AND UNDIMENSIONED DETAILS PER ISO13715
 - d. CORNERS SHOWN AS SHARP TO BE R 0.2 MAX.
 - e. LETTERING SHALL BE 0.15 MAX RAISED IN 0.25 MAX RECESS PAD. THIS INCLUDES RECYCLING CODE, CAVITY ID, VENDOR IDENTIFICATION, AND CUSTOMER MATERIAL NUMBER.
 - f. VISUAL DEFECTS SHALL MEET COSMETIC STANDARD PS-45499-002 (Class B).
 - g. DATE CODE: FIRST TWO DIGITS ARE THE CALENDAR YEAR (EXAMPLE: 04 = 2004). THIRD THROUGH 5TH DIGIT DAY # OF THE CALENDAR YEAR (EXAMPLE: FEB. 3RD = '034').

PART NUMBER LEGEND
CONNECTOR ASSEMBLY

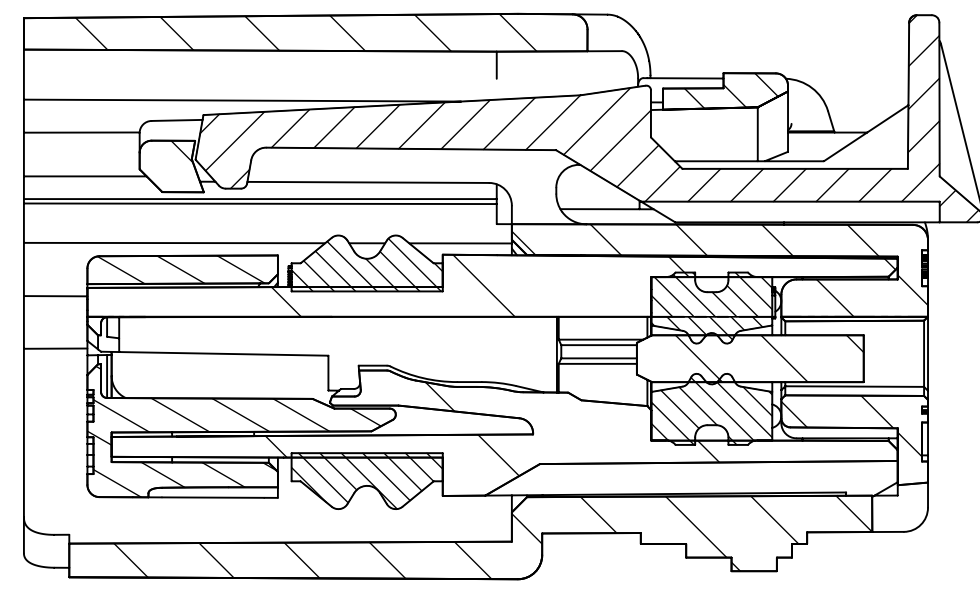
- 3140X-XXXX
- SEAL PLUG CONFIGURATION (AS MOLDED)
 - 0 - ALL CIRCUITS OPEN
 - 1-9 SEE CHART
 - CPA OPTION
 - 0 OR 2 - WITHOUT CPA
 - 1 OR 3 - WITH CPA
 - 4 - WITHOUT CPA, WITH CLIPSLOT
 - 5 - WITH CPA, WITH CLIPSLOT
 - USCAR POLARIZATION OPTION
 - 1 - POLARIZATION OPTION A
 - 2 - POLARIZATION OPTION B
 - 3 - POLARIZATION OPTION C
 - 4 - POLARIZATION OPTION D
 - 5 - POLARIZATION OPTION B, BLACK
 - 6 - POLARIZATION OPTION C, BLACK
 - 7 - POLARIZATION OPTION D, BLACK
 - 8 - POLARIZATION OPTION C, NATURAL
 - 9 - POLARIZATION OPTION D, GRAY
 - 0 - POLARIZATION OPTION D, DARK GRAY
 - CIRCUIT SIZE 2, 3, 4, 5, 6 & 8
 - 6 - CIRCUIT SIZE 6, WITH 31412-6500 OR 31412-6501 RING SEAL (FOR 31402 AND 31403 SERIES) WITH 31412-6500 RING SEAL (FOR 31404 SERIES)
 - 7 - CIRCUIT SIZE 6, WITH 31412-6501 RING SEAL (FOR 31404 SERIES)
 - TERMINAL OPTION
 - 2 - TYCO/MOLEX GET 0.64
 - 3 - MOLEX 0.64
 - 4 - YAZAKI KAIZEN 0.64/TE GEN Y 0.64/JST AIT 0.64

U1	ADD P/N: 31402-3115, 31402-3105
U	OBSOLETE P/N 31404-6XXX
T8	ADD P/N: 31404-7804, 31404-7814
T7	CHANGE STATUS FROM "TOOLED" TO "SALEABLE" ADD P/N 31404-7135/7125, 31404-7216/7206, 31404-7913/7903
T6	ADD P/N: 31404-7124, 31404-7134, 31404-7205, 31404-7215, 31404-7803, 31404-7813
T5	ADD P/N: 31404-7123; 31404-7133; 31404-7902; 31404-7912
T4	ADD P/N:31402-2120,31402-2130,31402-3104,31402-3114,31402-6201,31402-6211,31402-6301,31402-6311,31402-6401,31402-6411,31402-6501,31402-6511,31402-6601,31402-6611,31402-6701,31402-6711,31403-6201,31403-6211,31403-6301,31403-6311,31403-6401,31403-6411,31403-6501,31403-6511,31403-6601,31403-6611,31403-6701,31403-6711,31404-6201,31404-6211
T2	UPDATE BOM INFORMATION ON SHEET 9
T1	DELETE 31402/31403-7*** P/N
T	ADD P/N 3140*-7XXXX FOR 1X6 WITH 31412-6501 RING SEAL VERSION ON SHEET 9
S	ADD P/N: 31402-6131; 31402-6121
R	ADD P/N: 31404-3112; 31404-3102
P	ADD P/N: 31403-3132; 31403-3122
M	ADD P/N: 31402-6118; 31402-6108
L	1. REDRAW SALES DRAWING 2. UPDATE TERMINAL INFORMATION FOR 31404 SERIES 3. ADD P/N: 31403-6212; 31403-6202
REV	REV DESCRIPTION

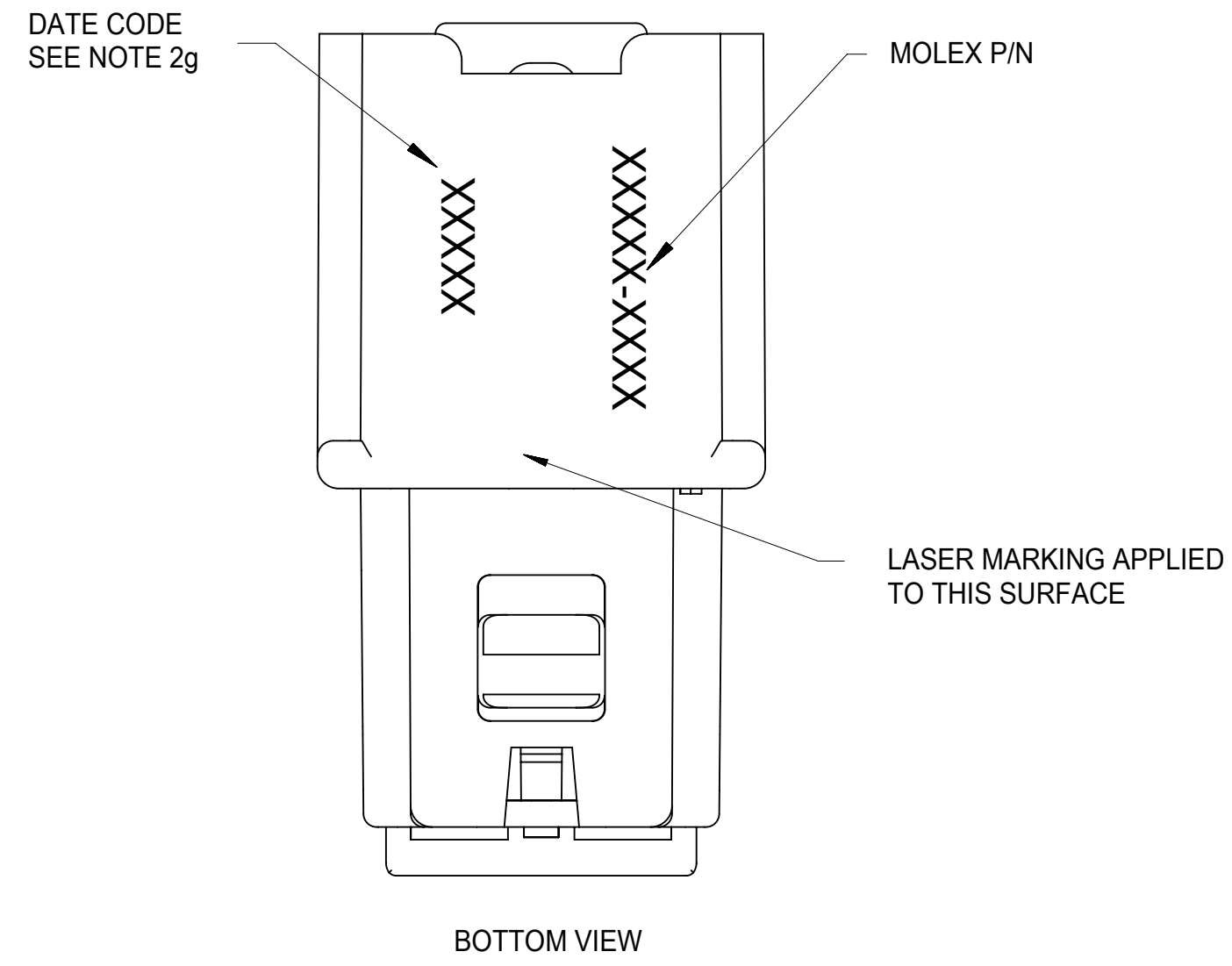
SYMBOLS	THIS DRAWING CONTAINS INFORMATION THAT IS PROPRIETARY TO MOLEX ELECTRONIC TECHNOLOGIES, LLC AND SHOULD NOT BE USED WITHOUT WRITTEN PERMISSION		CURRENT REV DESC:	
	DIMENSION UNITS	SCALE		
	mm	1:1	INITIAL REVISION: DRWN: RCARLSON 2004/03/01 APPR: PBERG 2004/09/30	PRODUCT CUSTOMER DRAWING DOCUMENT NUMBER: SD-31402-211 DOC TYPE: PSD DOC PART: 001 REVISION: U1
	GENERAL TOLERANCES (UNLESS SPECIFIED)			
	ANGULAR TOL	± 3.0°	D-SIZE 31402	GENERAL MARKET
	4 PLACES	±		
	3 PLACES	±		
	2 PLACES	± 0.13		
	1 PLACE	± 0.3		
	0 PLACES	±		



SECTION A-A
TPA SHOWN IN AS-SHIPPED
PRE-LOCKED POSITION
SEE NOTE 1c

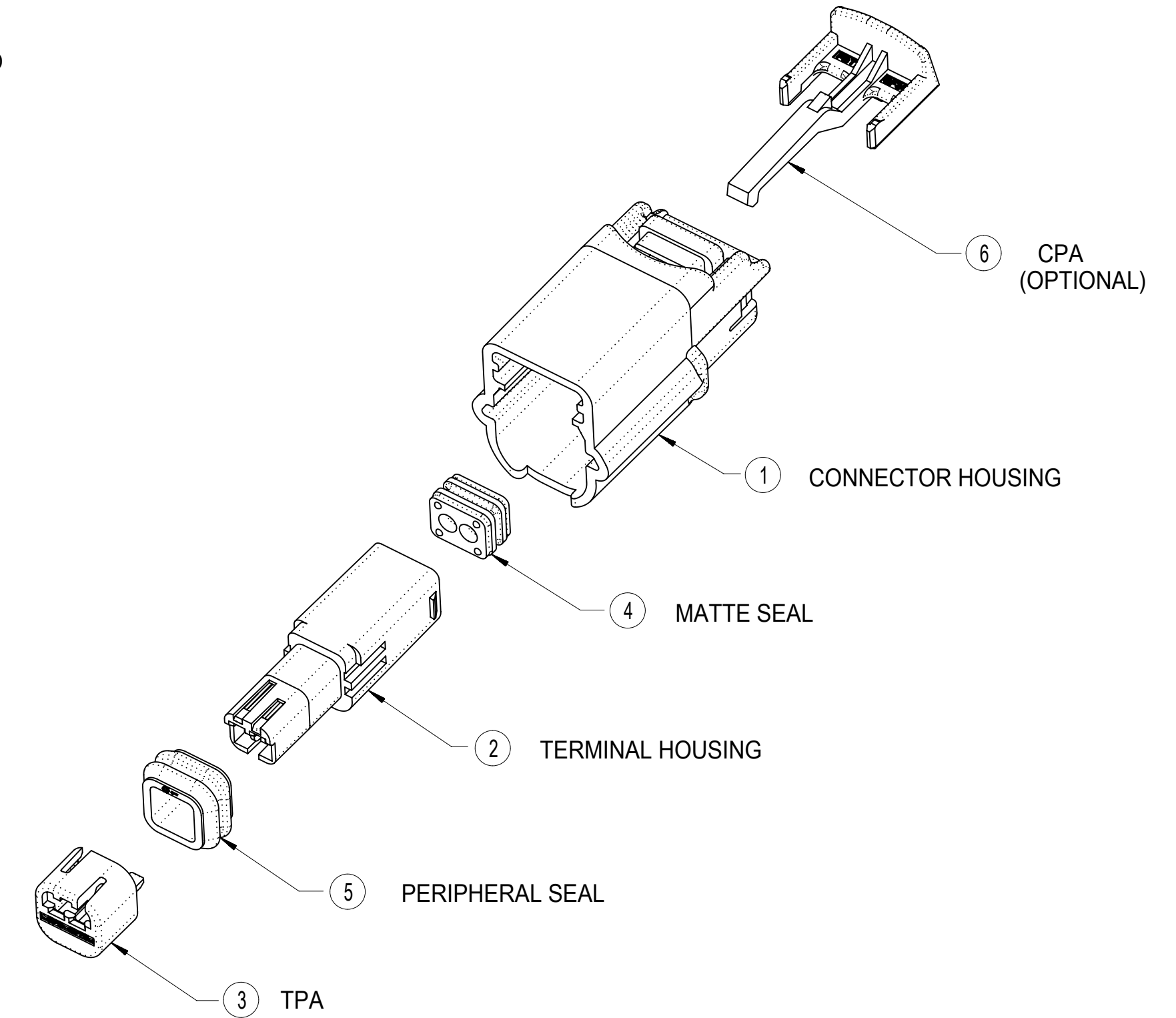


SECTION A-A
TPA SHOWN IN FINAL
LOCKED POSITION



BOTTOM VIEW

CONNECTOR ASSEMBLY WITHOUT CLIPSLOT



6 CPA (OPTIONAL)

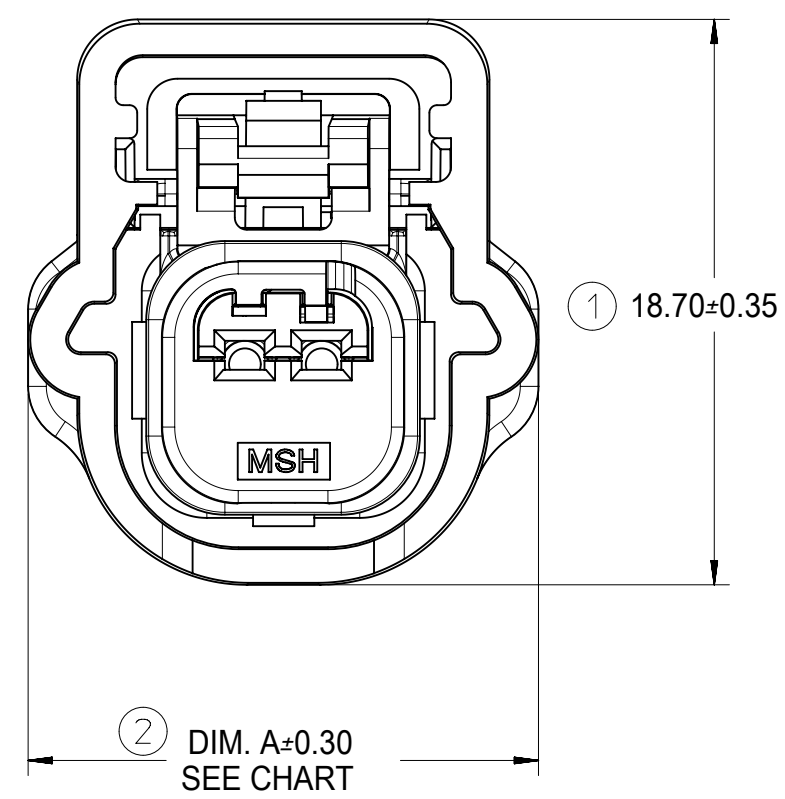
1 CONNECTOR HOUSING

4 MATTE SEAL

2 TERMINAL HOUSING

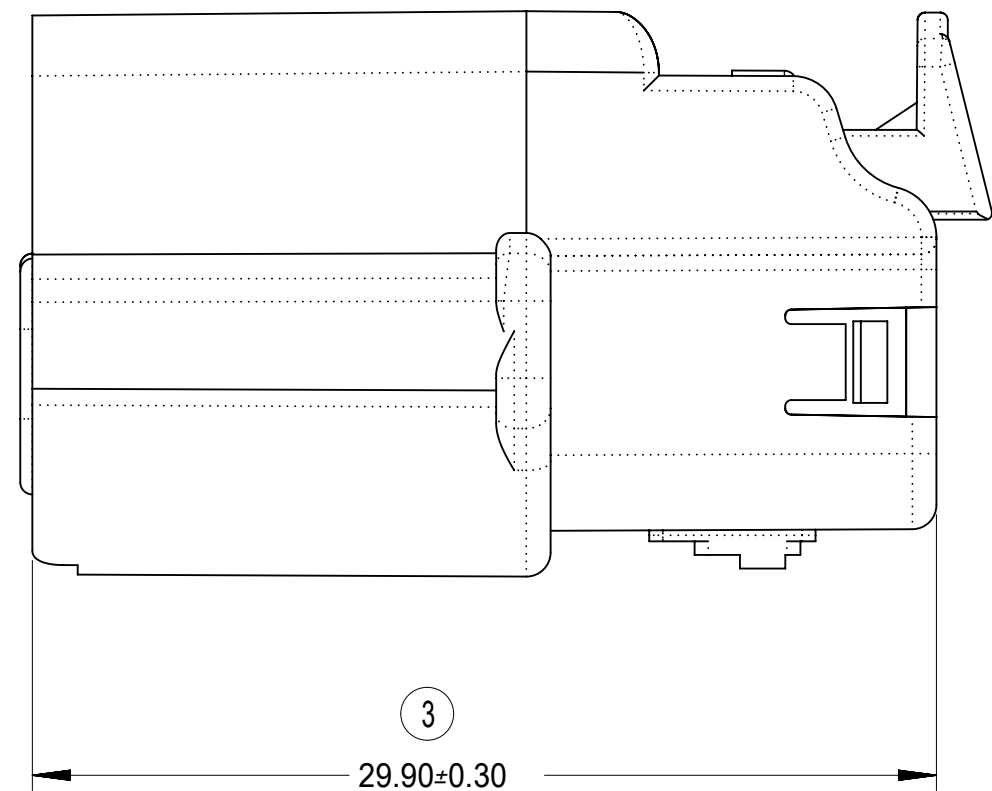
5 PERIPHERAL SEAL

3 TPA



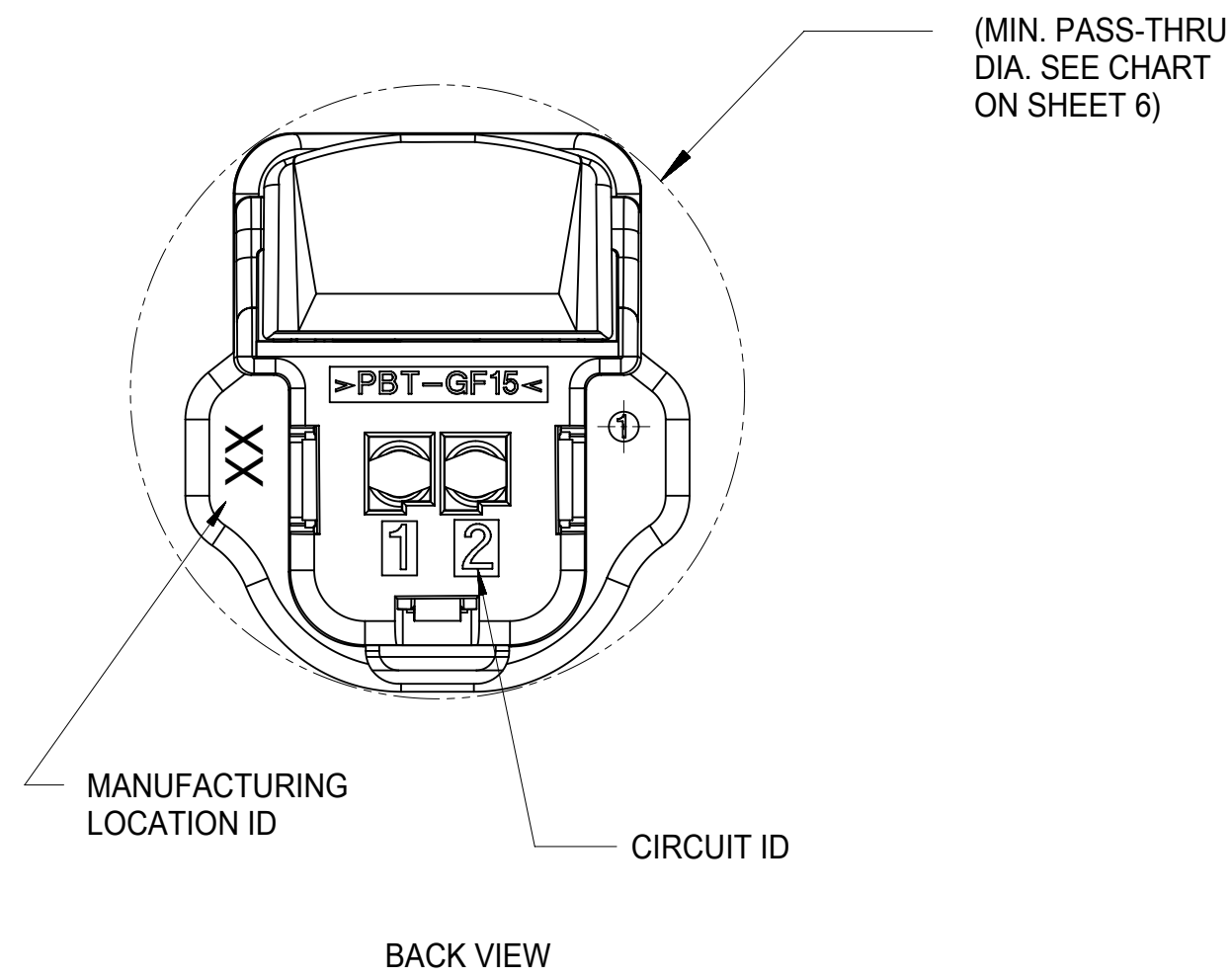
1 18.70±0.35

2 DIM. A=0.30
SEE CHART



3 29.90±0.30

RIGHT SIDE VIEW



(MIN. PASS-THRU
DIA. SEE CHART
ON SHEET 6)

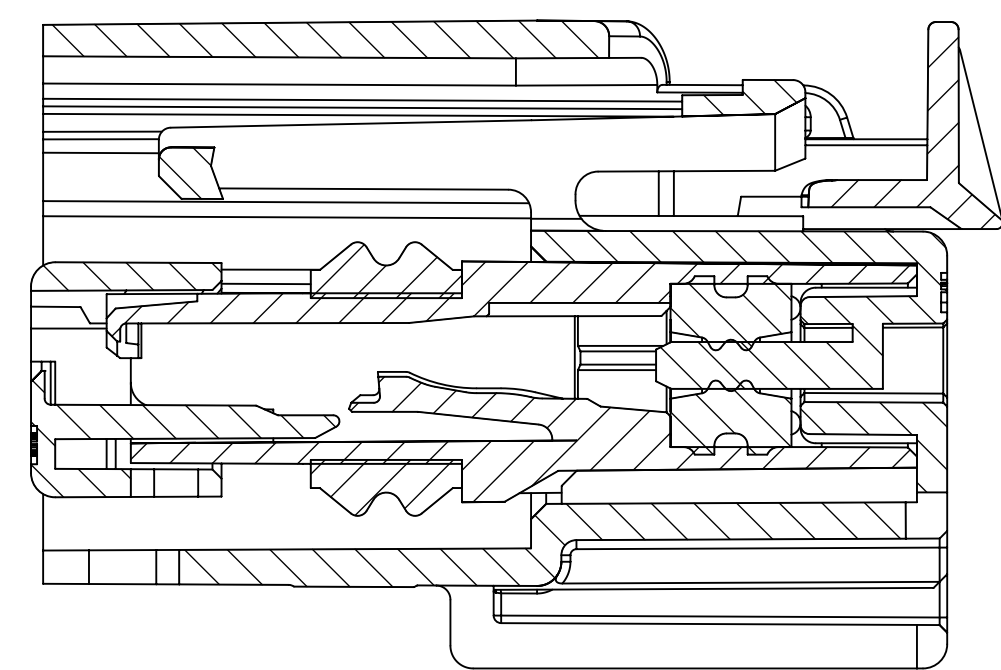
MANUFACTURING
LOCATION ID

CIRCUIT ID

BACK VIEW

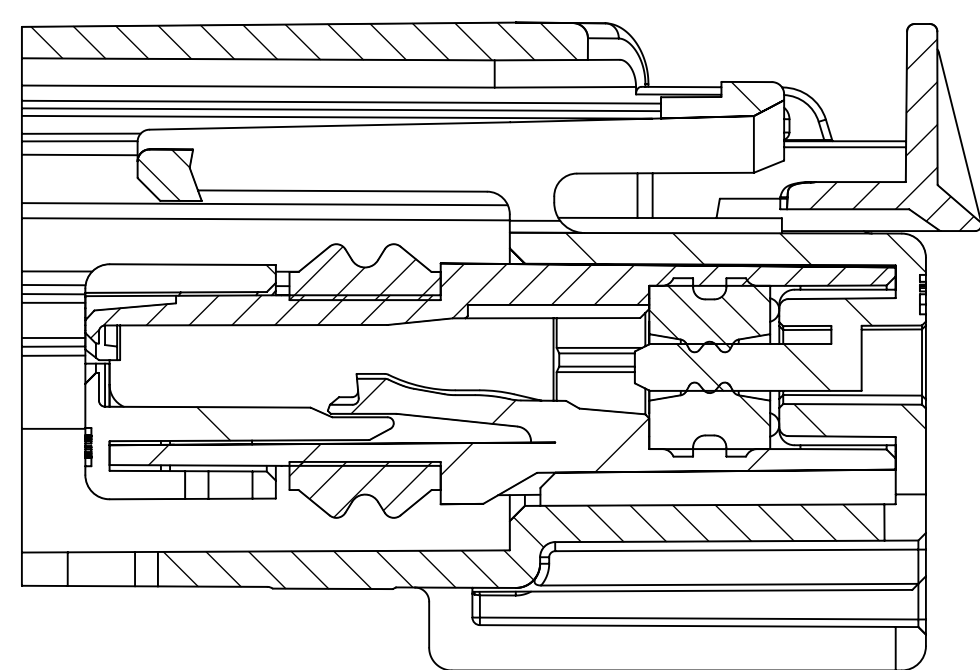
ITEM	DESCRIPTION	COLOR	MATERIAL
1	CONNECTOR HOUSING	SEE CHART	PBT GF15
2	TERMINAL HOUSING	BLACK	SPS/PA66 GF30
3	TPA	NATURAL	SPS/PA66 GF20
4	MATTE SEAL	SEE CHART	SILICONE RUBBER
5	PERIPHERAL SEAL	SEE CHART	SILICONE RUBBER
6	CPA - OPTIONAL	RED	PBT GF30

SYMBOLS		THIS DRAWING CONTAINS INFORMATION THAT IS PROPRIETARY TO MOLEX ELECTRONIC TECHNOLOGIES, LLC AND SHOULD NOT BE USED WITHOUT WRITTEN PERMISSION		CURRENT REV DESC:		molex	
▽ = 0	DIMENSION UNITS	mm	SCALE	1:1	EC NO: 620871		0.64 USCAR CONNECTOR SEALED SINGLE ROW ASSEMBLY
▽ = 0	GENERAL TOLERANCES (UNLESS SPECIFIED)			DRWN: HKLIANG 2019/07/22		PRODUCT CUSTOMER DRAWING	
▽ = 0	ANGULAR TOL	±	3.0°	CHK'D: JDENG02 2019/07/29			DOCUMENT NUMBER
▽ = 0	4 PLACES	±		APPR: JDENG02 2019/07/29		PSD 001 U1	
▽ = 0	3 PLACES	±		INITIAL REVISION:			DOC TYPE
▽ = 0	2 PLACES	±	0.13	DRWN: RCARLSON 2004/03/01		DOC PART	
▽ = 0	1 PLACE	±	0.3	2004/09/30			REVISION
▽ = 0	0 PLACES	±		APPR: PBERG		SD-31402-211	
▽ = 0	DRAFT WHERE APPLICABLE MUST REMAIN WITHIN DIMENSIONS	THIRD ANGLE PROJECTION		DRAWING	SERIES		MATERIAL NUMBER
▽ = 0				D-SIZE	31402	CUSTOMER	
				GENERAL MARKET		SHEET NUMBER	
						2 OF 9	



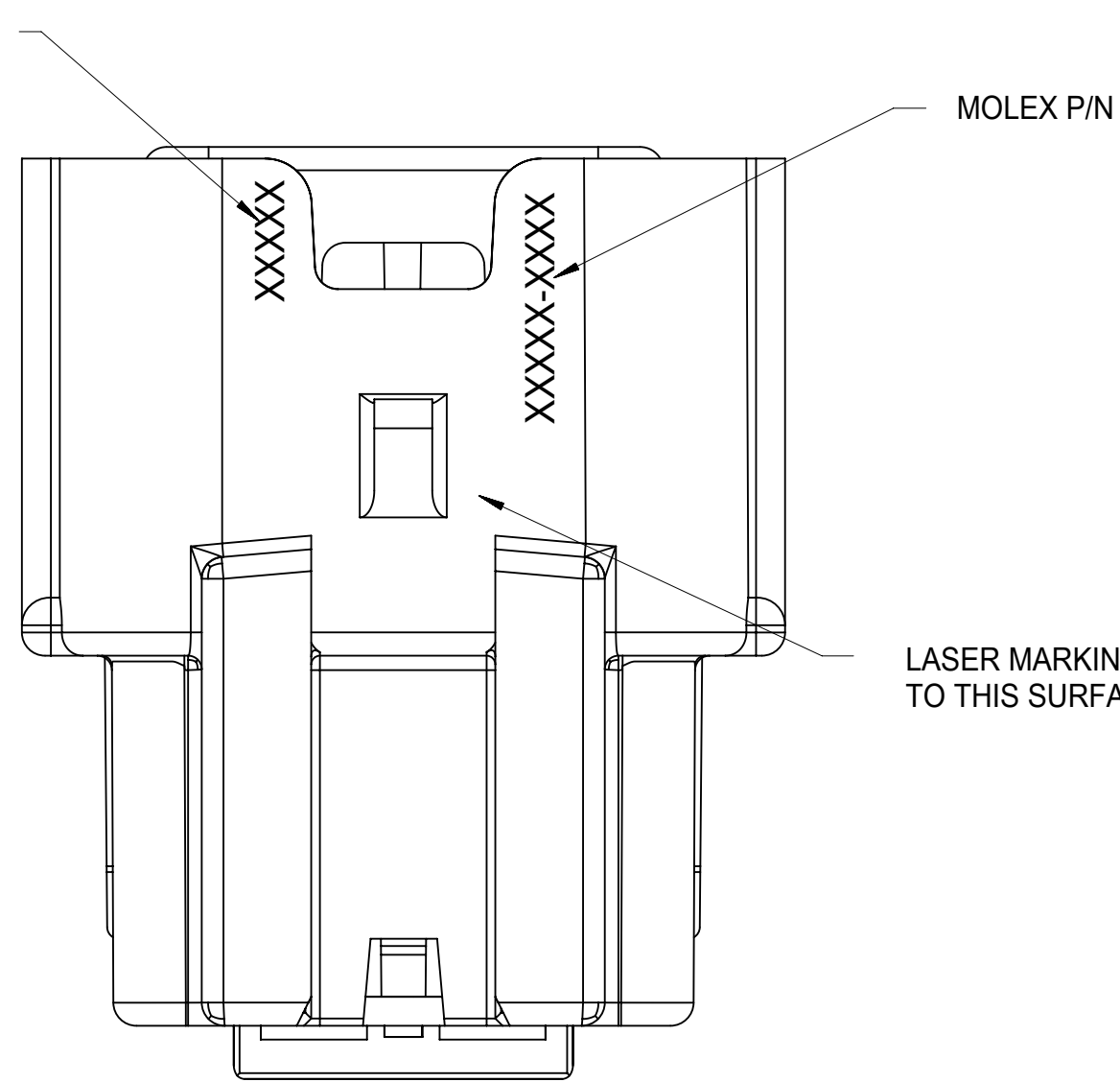
SECTION C-C

TPA SHOWN IN AS-SHIPPED
PRE-LOCKED POSITION
SEE NOTE 1c

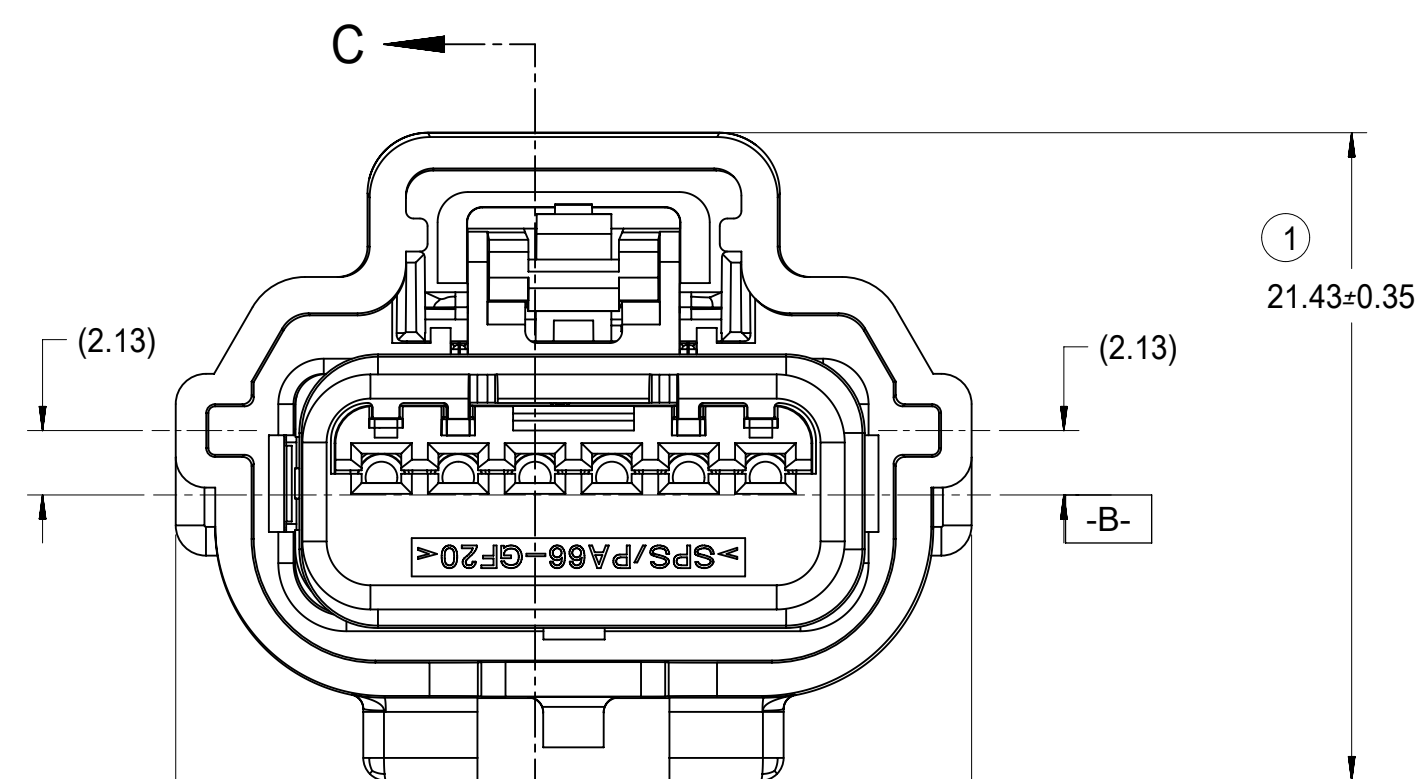
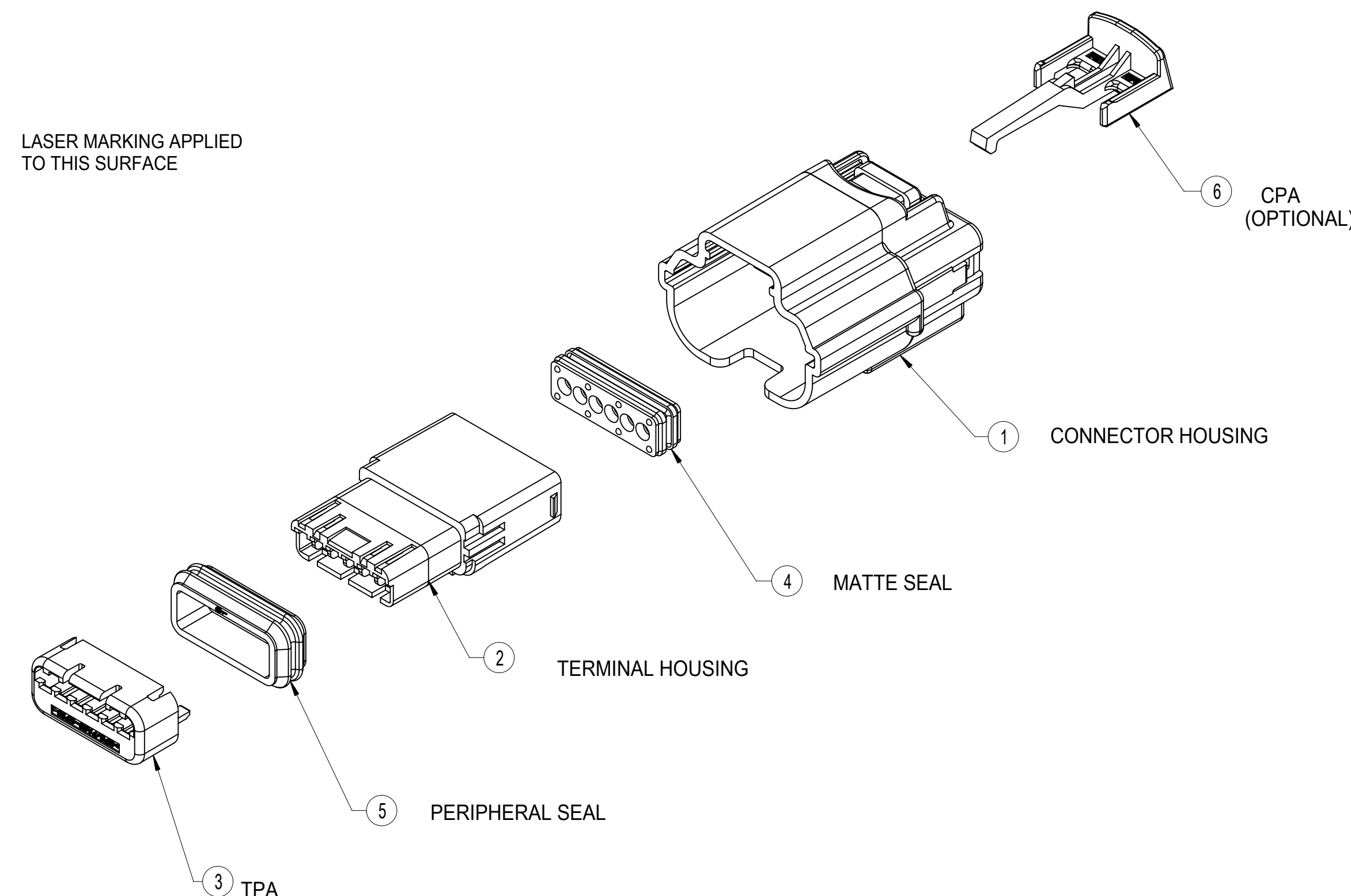


SECTION C-C

TPA SHOWN IN FINAL
LOCKED POSITION



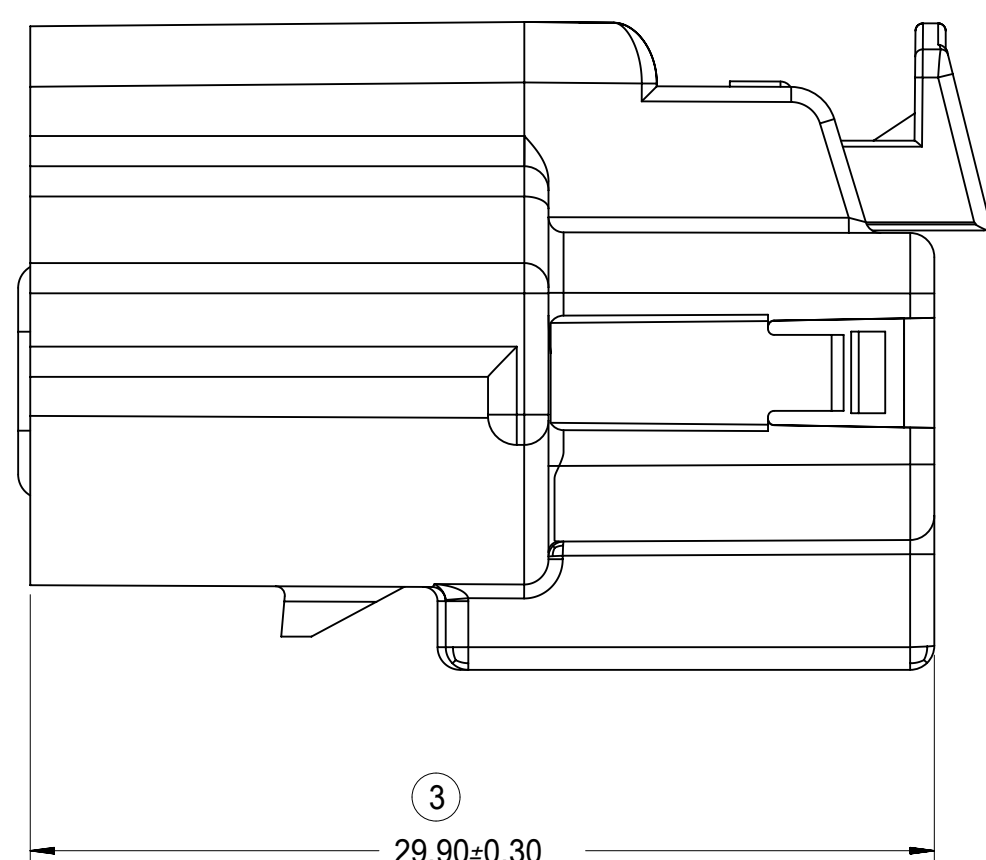
BOTTOM VIEW



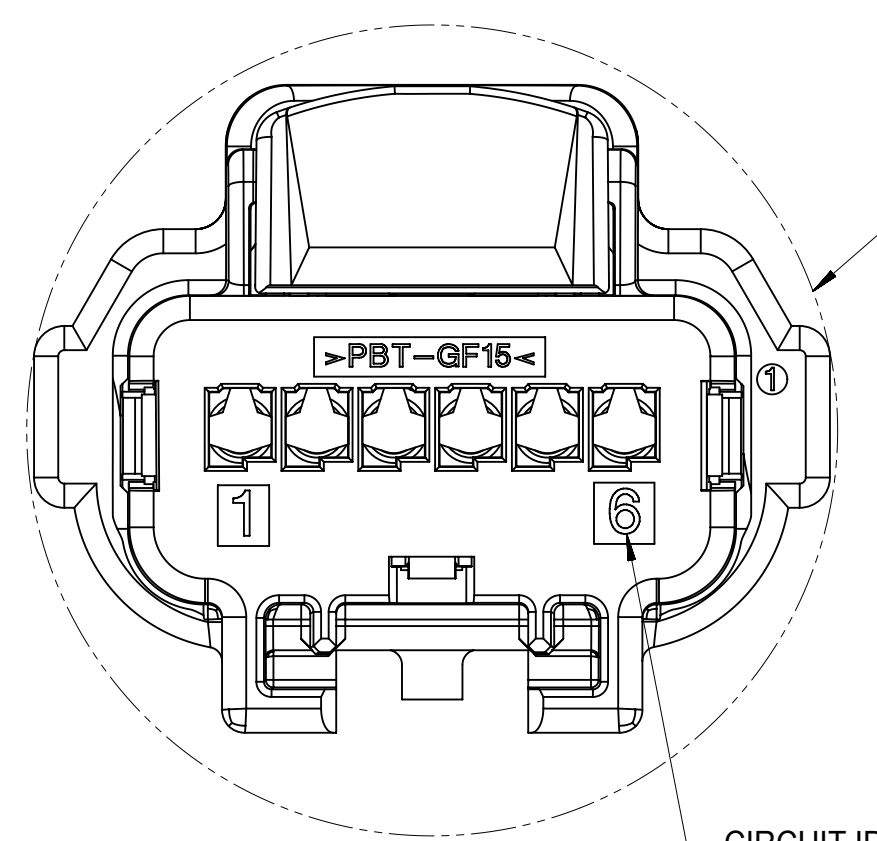
DIM A=0.30
SEE CHART

FRONT VIEW

POLARIZATION A



RIGHT SIDE VIEW

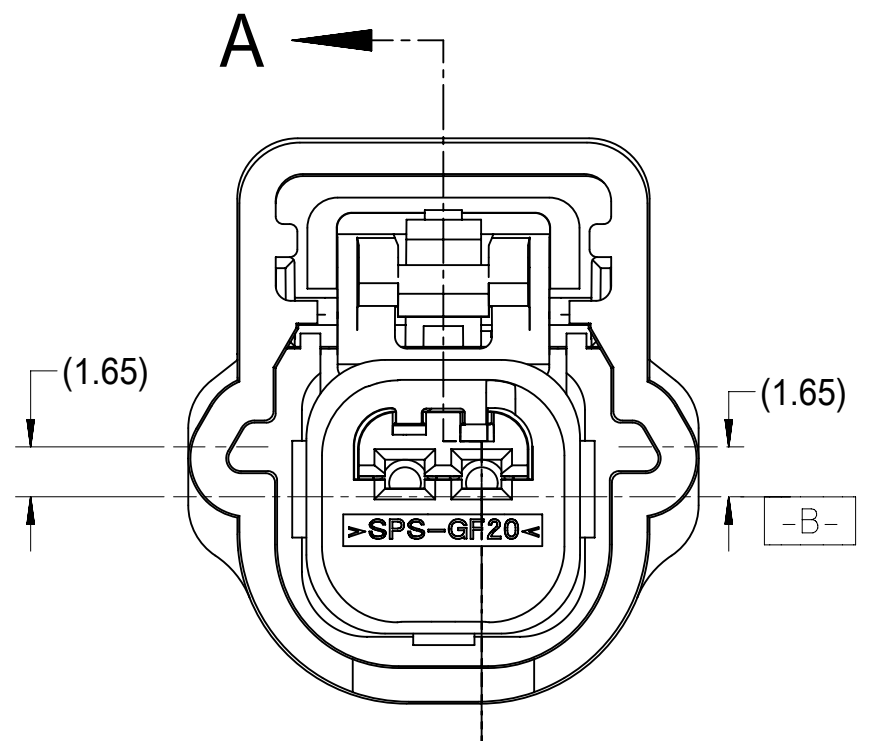


BACK VIEW

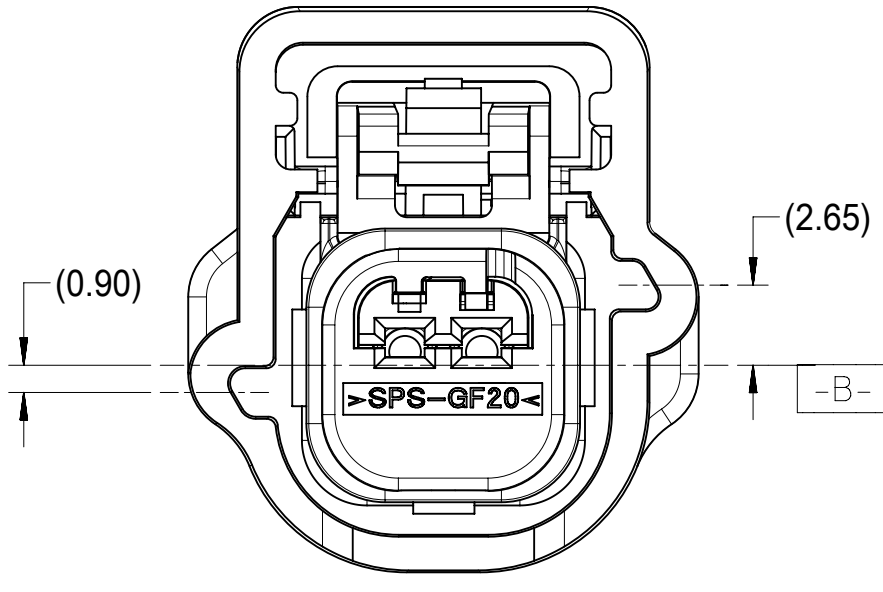
ITEM	DESCRIPTION	COLOR	MATERIAL
1	CONNECTOR HOUSING	SEE CHART	PBT GF15
2	TERMINAL HOUSING	BLACK	SPS/PA66 GF30
3	TPA	NATURAL	SPS/PA66 GF20
4	MATTE SEAL	SEE CHART	SILICONE RUBBER
5	PERIPHERAL SEAL	SEE CHART	SILICONE RUBBER
6	CPA - OPTIONAL	RED	PBT GF30

SYMBOLS		THIS DRAWING CONTAINS INFORMATION THAT IS PROPRIETARY TO MOLEX ELECTRONIC TECHNOLOGIES, LLC AND SHOULD NOT BE USED WITHOUT WRITTEN PERMISSION		CURRENT REV DESC:					
DIMENSION UNITS	SCALE								
$\nabla = 0$	mm	1:1				0.64 USCAR CONNECTOR SEALED SINGLE ROW ASSEMBLY			
$\nabla = 0$	GENERAL TOLERANCES (UNLESS SPECIFIED)								PRODUCT CUSTOMER DRAWING
$\nabla = 0$	ANGULAR TOL		$\pm 3.0^\circ$			DOCUMENT NUMBER: SD-31402-211 DOC TYPE: PSD DOC PART: 001 REVISION: U1			
$\nabla = 0$	4 PLACES		\pm						MATERIAL NUMBER: CUSTOMER: GENERAL MARKET SHEET NUMBER: 3 OF 9
$\nabla = 0$	3 PLACES		\pm			EC NO: 620871 DRWN: HKLIANG 2019/07/22 CHK'D: JDENG02 2019/07/29 APPR: JDENG02 2019/07/29			
$\nabla = 0$	2 PLACES		± 0.13						INITIAL REVISION: DRWN: RCARLSON 2004/03/01 APPR: PBERG 2004/09/30
$\nabla = 0$	1 PLACE		± 0.3			THIRD ANGLE PROJECTION: DRAWING: D-SIZE SERIES: 31402			
$\nabla = 0$	0 PLACES		\pm						DRAFT WHERE APPLICABLE MUST REMAIN WITHIN DIMENSIONS
$\nabla = 0$	DRAFT WHERE APPLICABLE MUST REMAIN WITHIN DIMENSIONS								

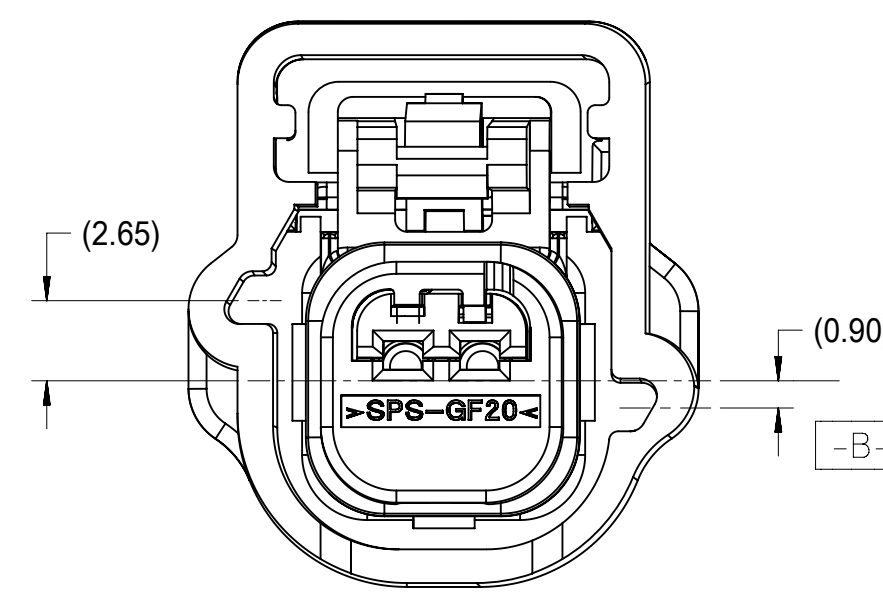
1X2



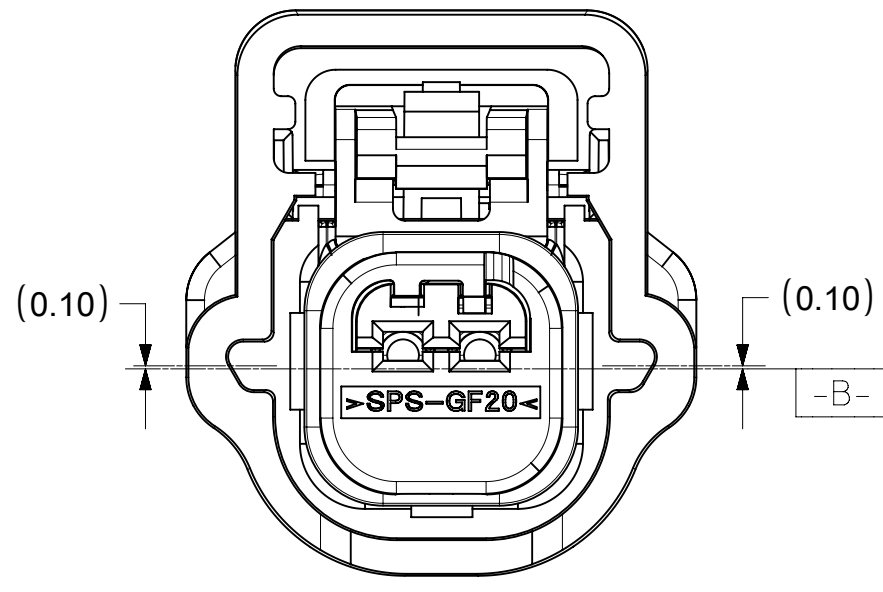
FRONT VIEW
POLARIZATION A



POLARIZATION B

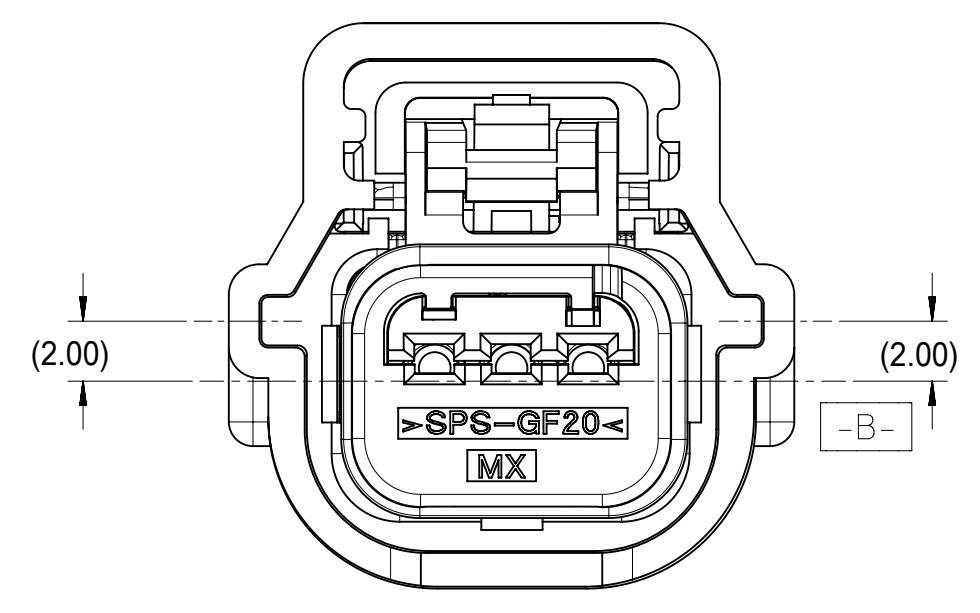


POLARIZATION C

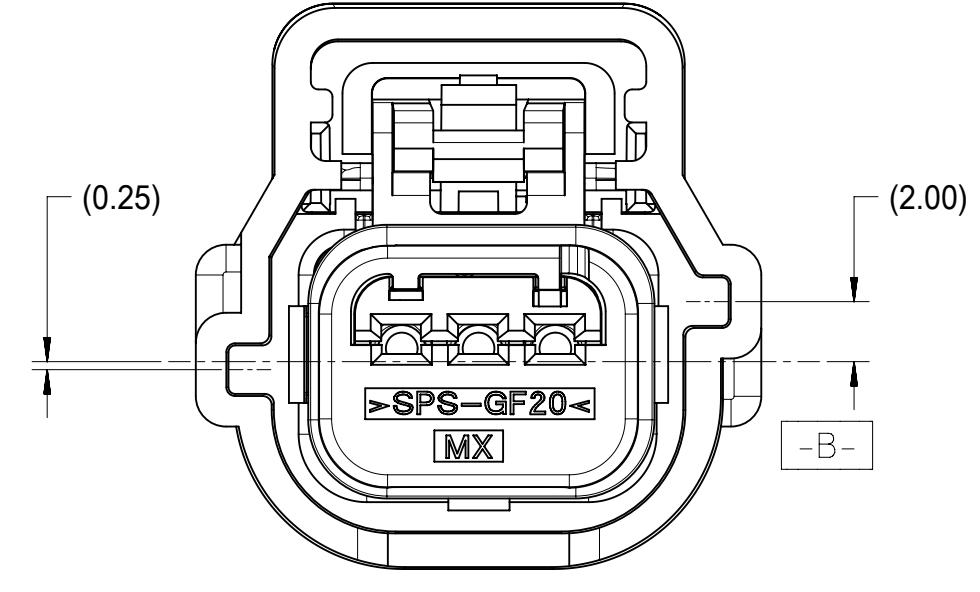


POLARIZATION D

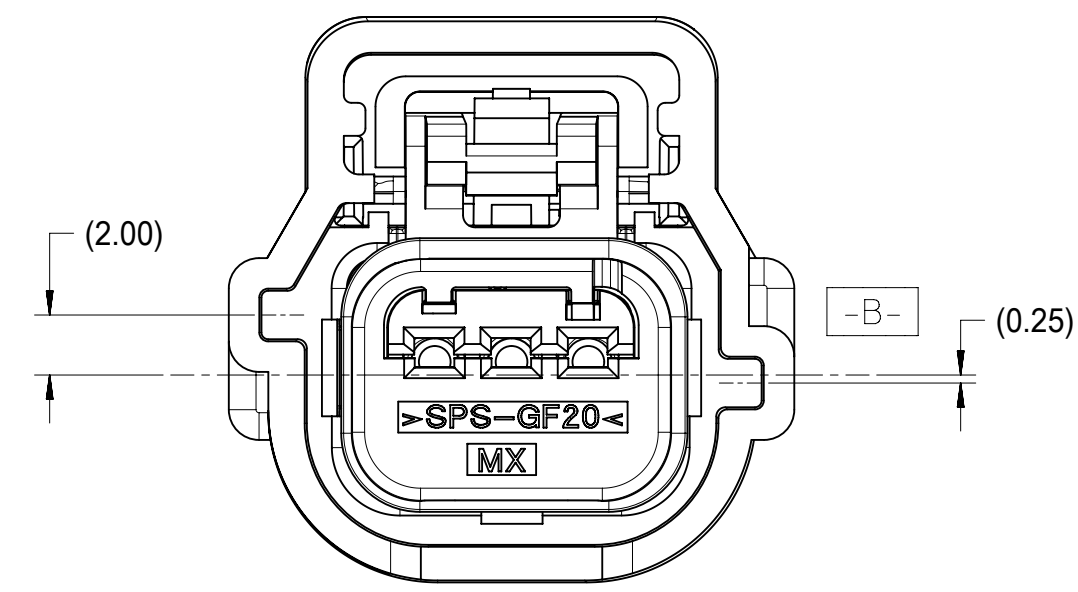
1X3



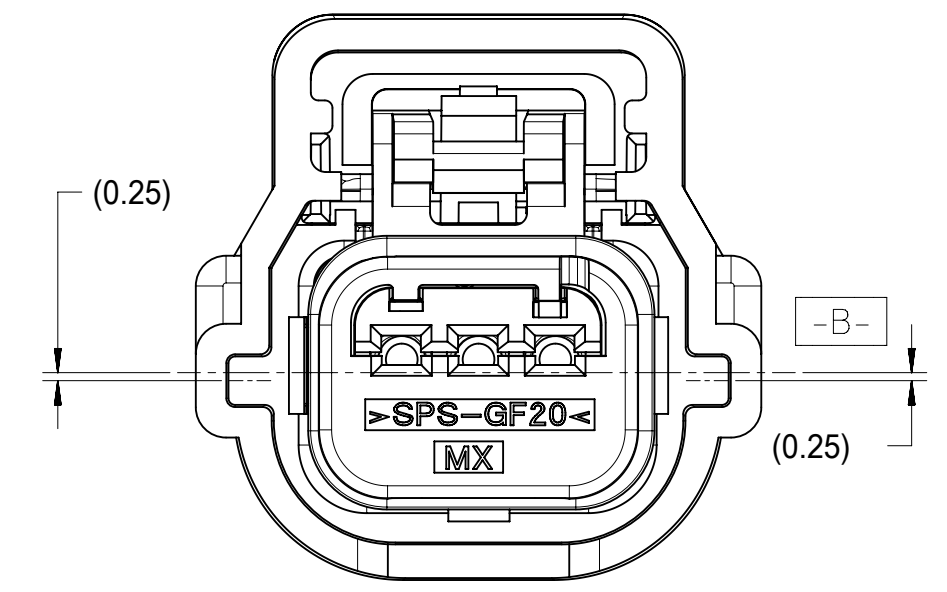
POLARIZATION A



POLARIZATION B

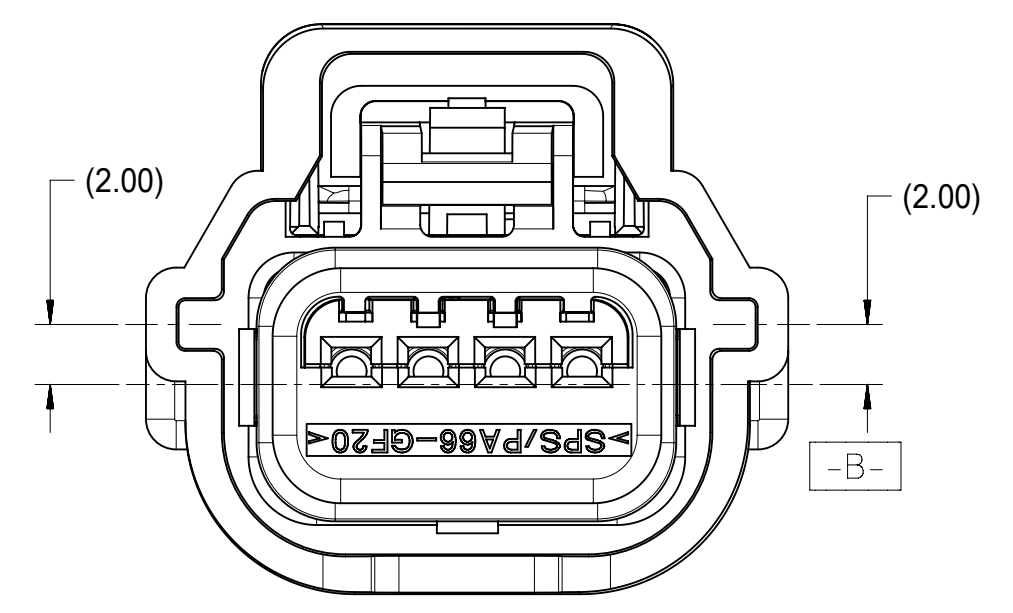


POLARIZATION C



POLARIZATION D

1X4

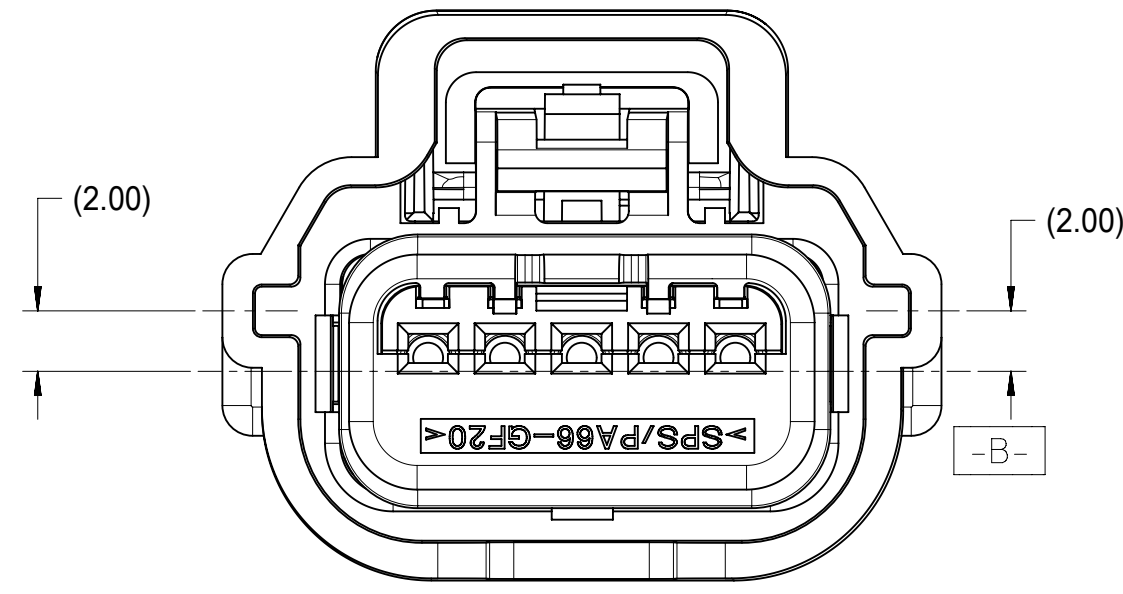


POLARIZATION A

KEY CONFIGURATIONS

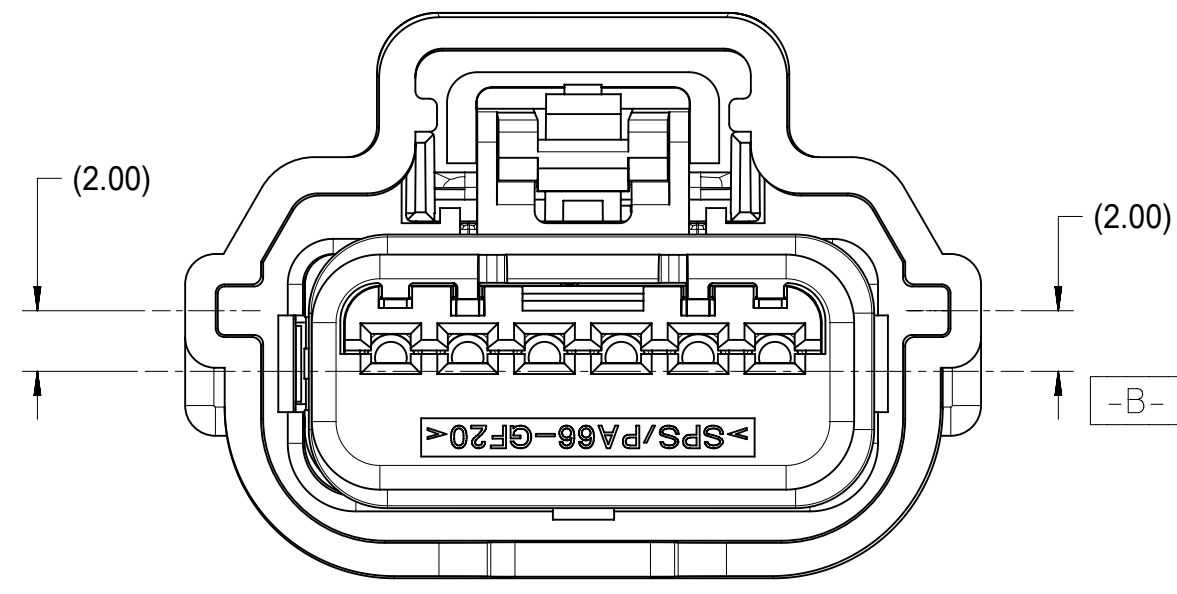
SYMBOLS	THIS DRAWING CONTAINS INFORMATION THAT IS PROPRIETARY TO MOLEX ELECTRONIC TECHNOLOGIES, LLC AND SHOULD NOT BE USED WITHOUT WRITTEN PERMISSION		CURRENT REV DESC:		molex
	DIMENSION UNITS	SCALE			
▽ = 0	mm	1:1			0.64 USCAR CONNECTOR SEALED SINGLE ROW ASSEMBLY
▽ = 0	GENERAL TOLERANCES (UNLESS SPECIFIED)				PRODUCT CUSTOMER DRAWING
▽ = 0	ANGULAR TOL ± 3.0°				DOCUMENT NUMBER
▽ = 0	4 PLACES ±		EC NO: 620871	2019/07/22	DOC TYPE
▽ = 0	3 PLACES ±		DRWN: HKLIANG	2019/07/29	DOC PART
▽ = 0	2 PLACES ± 0.13		CHK'D: JDENG02	2019/07/29	REVISION
▽ = 0	1 PLACE ± 0.3		APPR: JDENG02		
▽ = 0	0 PLACES ±		INITIAL REVISION:		SD-31402-211
⊠ = 0	DRAFT WHERE APPLICABLE MUST REMAIN WITHIN DIMENSIONS		DRWN: RCARLSON	2004/03/01	PSD
⊠ = 0	THIRD ANGLE PROJECTION		APPR: PBERG	2004/09/30	001
			DRAWING	SERIES	U1
			D-SIZE	31402	
			MATERIAL NUMBER	CUSTOMER	GENERAL MARKET
					SHEET NUMBER
					4 OF 9

1X5

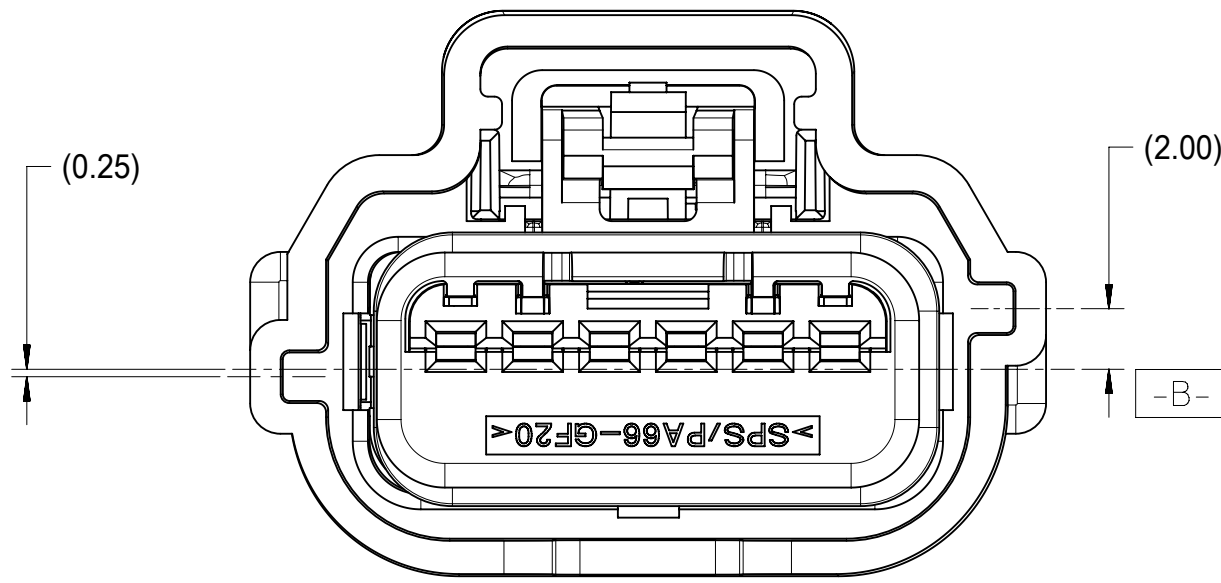


POLARIZATION A

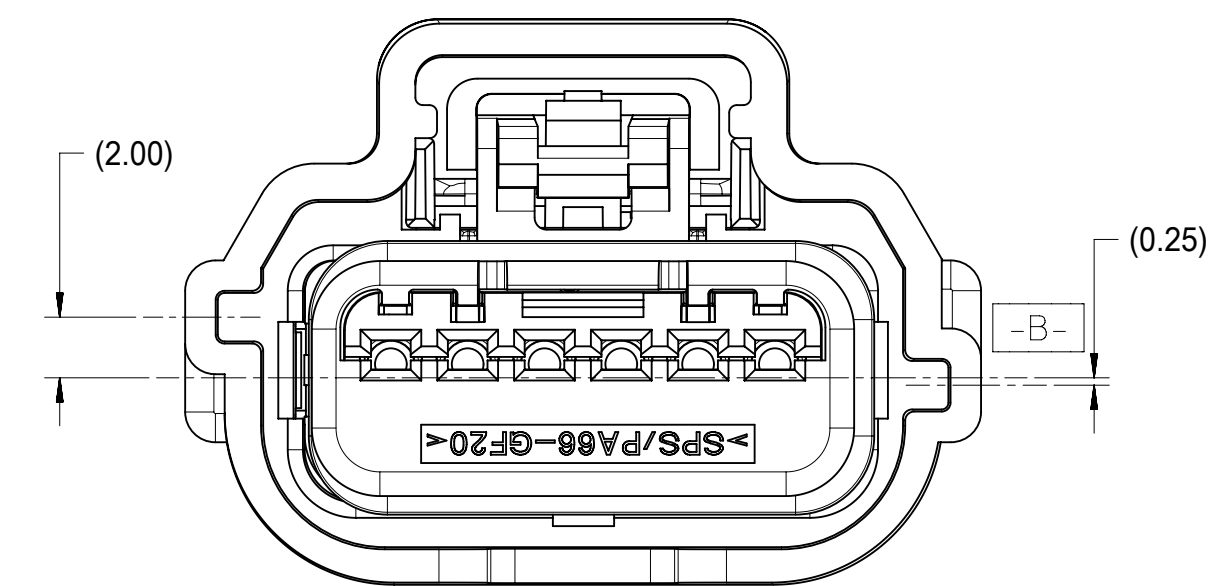
1X6



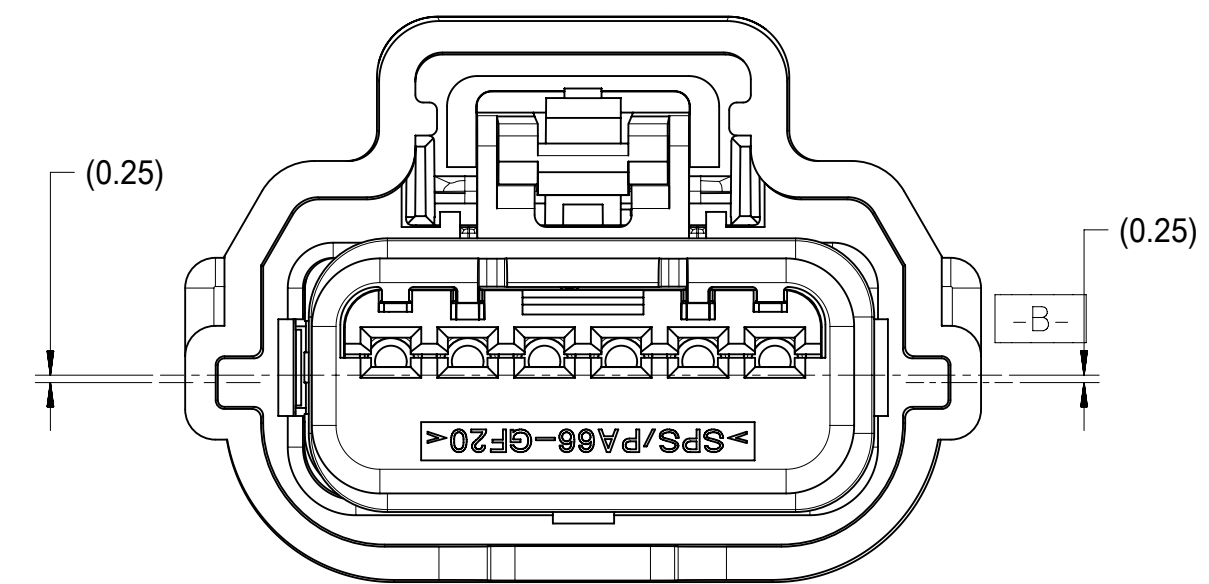
POLARIZATION A



POLARIZATION B

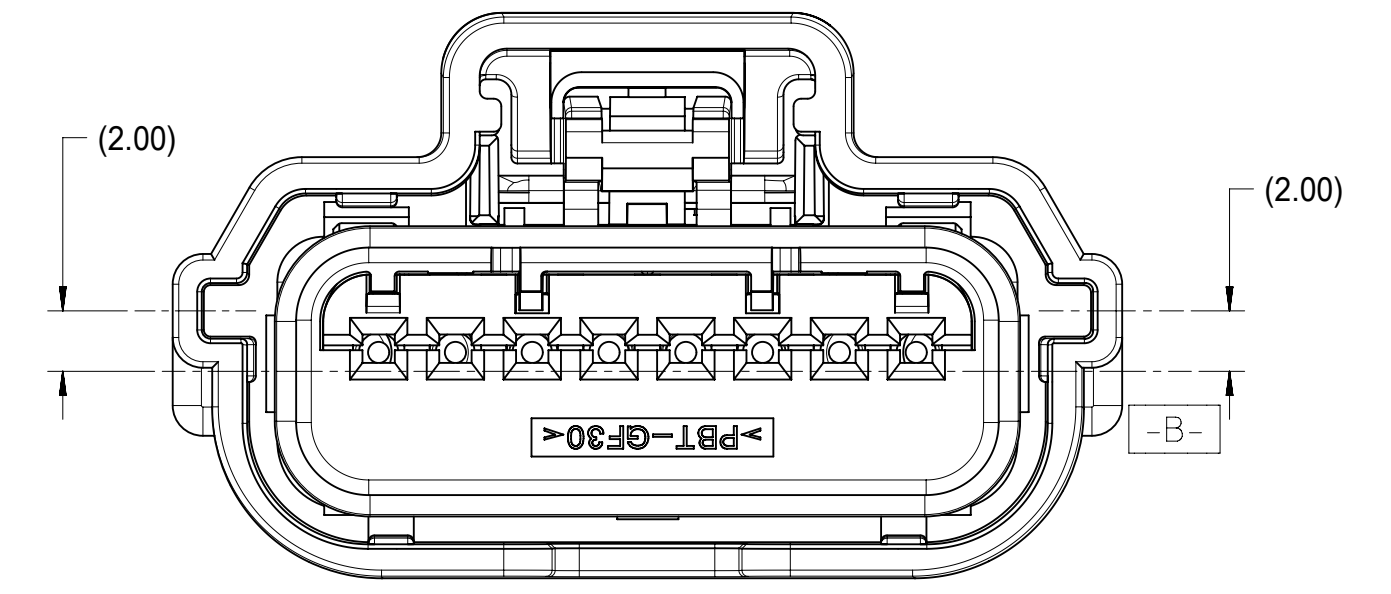


POLARIZATION C

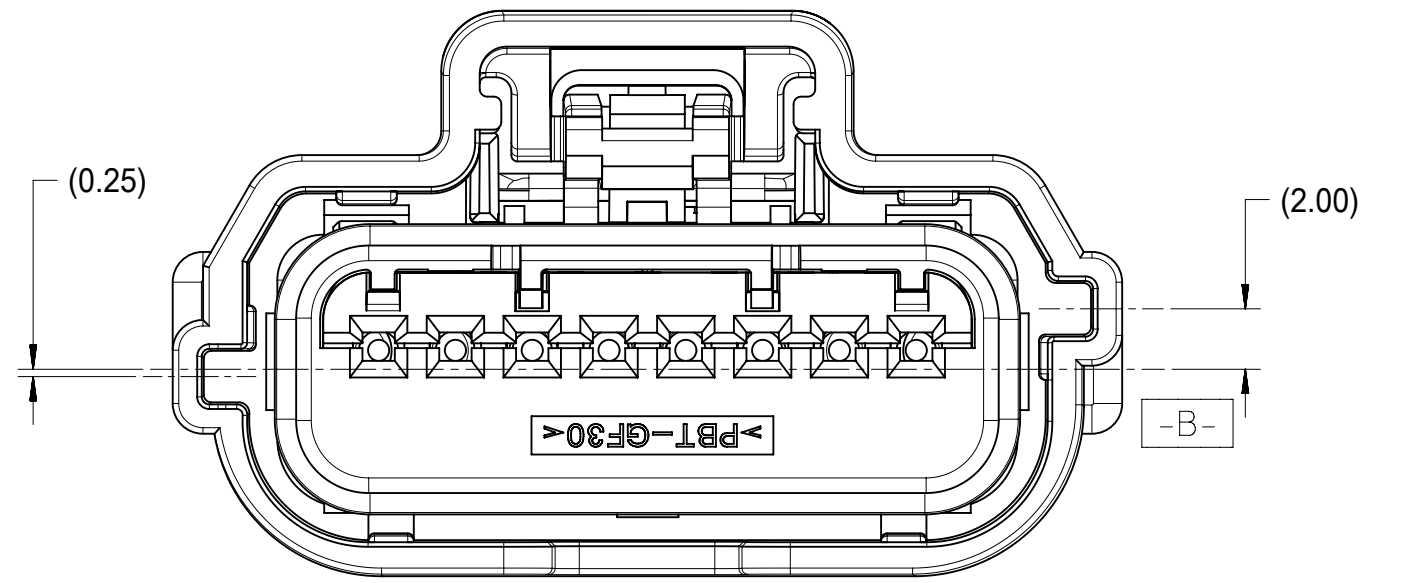


POLARIZATION D

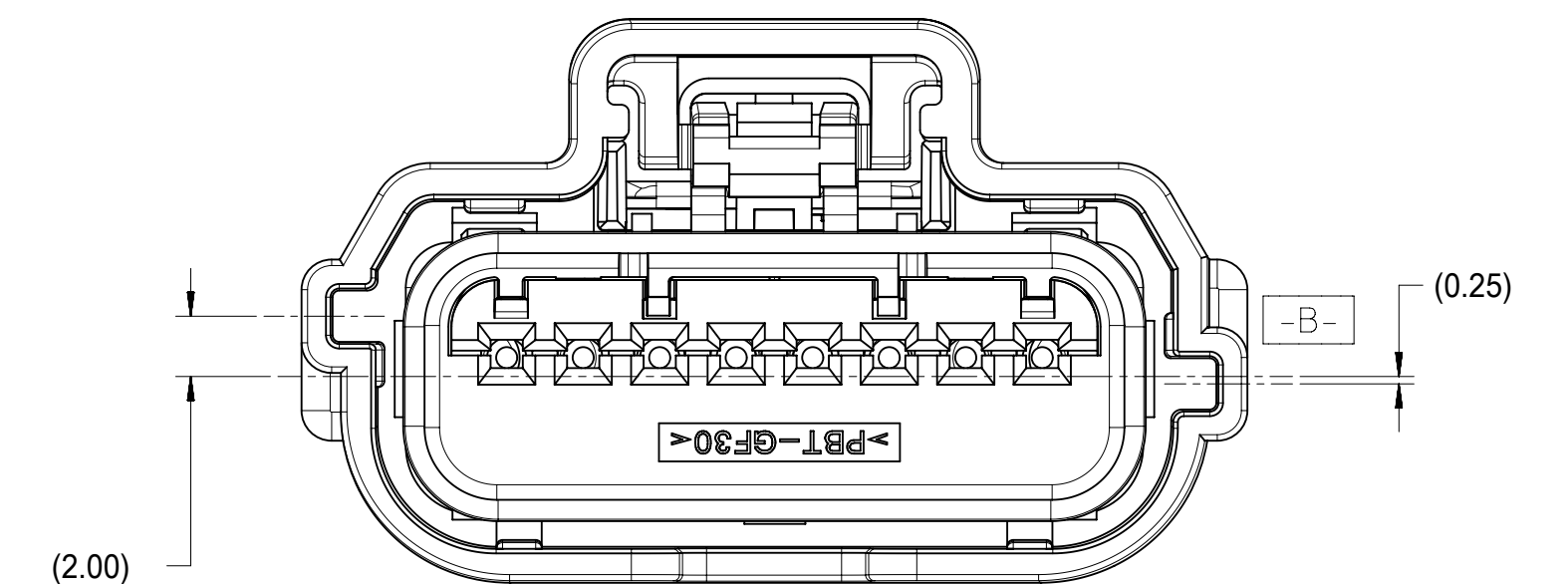
1X8



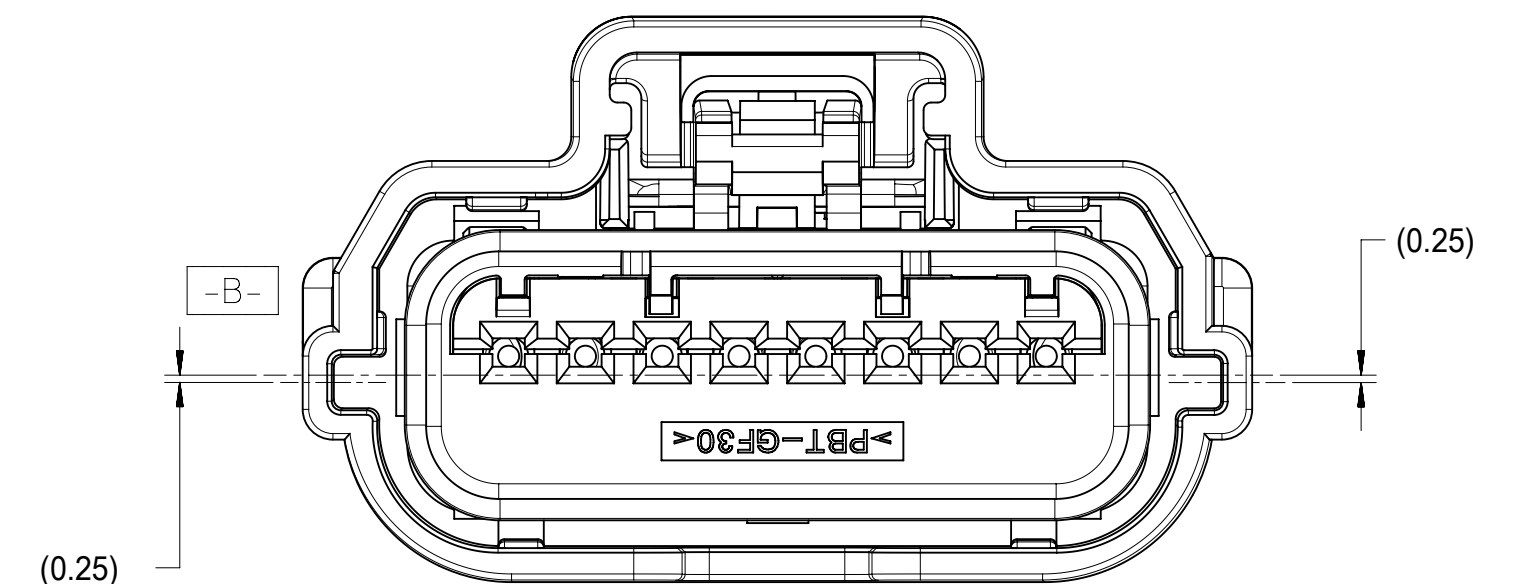
POLARIZATION A



POLARIZATION B



POLARIZATION C



POLARIZATION D

KEY CONFIGURATIONS

SYMBOLS		THIS DRAWING CONTAINS INFORMATION THAT IS PROPRIETARY TO MOLEX ELECTRONIC TECHNOLOGIES, LLC AND SHOULD NOT BE USED WITHOUT WRITTEN PERMISSION	
	= 0	DIMENSION UNITS	SCALE
	= 0	mm	1:1
	= 0	CURRENT REV DESC:	
	= 0	GENERAL TOLERANCES (UNLESS SPECIFIED)	
	= 0	ANGULAR TOL	± 3.0°
	= 0	4 PLACES	±
	= 0	3 PLACES	±
	= 0	2 PLACES	± 0.13
	= 0	1 PLACE	± 0.3
	= 0	0 PLACES	±
	= 0	DRAFT WHERE APPLICABLE MUST REMAIN WITHIN DIMENSIONS	
	= 0	THIRD ANGLE PROJECTION	
		DRAWING	SERIES
		D-SIZE	31402
		EC NO: 620871	
		DRWN: HKLIANG	2019/07/22
		CHK'D: JDENG02	2019/07/29
		APPR: JDENG02	2019/07/29
		INITIAL REVISION:	
		DRWN: RCARLSON	2004/03/01
		APPR: PBERG	2004/09/30
		DOCUMENT NUMBER	DOC TYPE DOC PART REVISION
		SD-31402-211	PSD 001 U1
		MATERIAL NUMBER	CUSTOMER
		GENERAL MARKET	SHEET NUMBER
			5 OF 9

PART NUMBER WITHOUT CPA	PART NUMBER WITH CPA	CLIP/SLOT OPTION	ROW/CIRCUITS	KEY*	MATTE SEAL COLOR	PERIMETER SEAL COLOR	CONNECTOR COLOR	WIDTH DIM (A)	MIN. PASS THRU DIA.	FEMALE TERMINAL SUPPLIER	USCAR FOOTPRINT DRAWING NO.	STATUS								
31402-2100	31402-2110	NO	1 X 2	A	ROYAL BLUE	BLUE	BLACK	16.88	(20.80)	TYCO OR MOLEX GET 0.64	064-S-002-1-Z02	SALEABLE								
31402-2120	31402-2130			A								TOOLED , BUT NOT VALIDATED (T4)								
31402-2200	31402-2210			B								SALEABLE								
31402-2300	31402-2310			C								TOOLED, COLOR UNAVAILABLE								
31402-2400	31402-2410			D								TOOLED, COLOR UNAVAILABLE								
31402-2500	31402-2510			B								SALEABLE								
31402-2600	31402-2610			C								SALEABLE								
31402-2700	31402-2710			D								SALEABLE								
31403-2000	31403-2010			D								SALEABLE (L)								
31403-2100	31403-2110			A								SALEABLE								
31403-2200	31403-2210			B								SALEABLE								
31403-2300	31403-2310			C								TOOLED, COLOR UNAVAILABLE								
31403-2400	31403-2410			D								TOOLED, COLOR UNAVAILABLE								
31403-2500	31403-2510			B								SALEABLE (L)								
31403-2600	31403-2610			C								SALEABLE								
31403-2700	31403-2710			D								SALEABLE								
31403-2800	31403-2810			C						SALEABLE (L)										
31403-2900	31403-2910			D						SALEABLE										
31404-2100	31404-2110			A						BLACK										
31404-2200	31404-2210			B						GRAY										
31404-2300	31404-2310			C						BROWN										
31404-2400	31404-2410			D						GREEN										
31404-2500	31404-2510			B						BLACK										
31404-2600	31404-2610			C						BLACK										
31404-2700	31404-2710			D						BLACK										
31402-3100	31402-3110			NO						1 X 3		A	LIGHT BLUE	RUST RED	BLACK	18.70	(22.00)	TYCO OR MOLEX GET 0.64	064-S-003-1-Z01	SALEABLE
31402-3200	31402-3210											B								SALEABLE
31402-3300	31402-3310											C								TOOLED, COLOR UNAVAILABLE
31402-3400	31402-3410											D								TOOLED, COLOR UNAVAILABLE
31402-3500	31402-3510											B								SALEABLE
31402-3600	31402-3610											C								SALEABLE
31402-3700	31402-3710											D								SALEABLE
31403-3000	31403-3010	D	SALEABLE (L)																	
31403-3100	31403-3110	A	SALEABLE																	
31403-3200	31403-3210	B	SALEABLE																	
31403-3300	31403-3310	C	TOOLED, COLOR UNAVAILABLE																	
31403-3400	31403-3410	D	TOOLED, COLOR UNAVAILABLE																	
31403-3500	31403-3510	B	SALEABLE																	
31403-3600	31403-3610	C	SALEABLE																	
31403-3700	31403-3710	D	SALEABLE																	
31403-3800	31403-3810	C	SALEABLE (L)																	
31404-3100	31404-3110	A	BLACK																	
31404-3200	31404-3210	B	GRAY																	
31404-3300	31404-3310	C	BROWN																	
31404-3400	31404-3410	D	GREEN																	
31404-3500	31404-3510	B	BLACK																	
31404-3600	31404-3610	C	BLACK																	
31404-3700	31404-3710	D	BLACK																	
31402-4100	31402-4110	NO	1 X 4		A	TBD	TBD	BLACK	21.25		(22.34)	TYCO OR MOLEX GET 0.64						064-S-004-1-Z02		NOT TOOLED
31402-4200	31402-4210				B															GRAY
31402-4300	31402-4310				C															BROWN
31402-4400	31402-4410				D															GREEN
31402-4500	31402-4510				B															BLACK
31402-4600	31402-4610				C															BLACK
31402-4700	31402-4710				D															BLACK
31403-4100	31403-4110				A															BLACK
31403-4200	31403-4210				B															GRAY
31403-4300	31403-4310			C	BROWN															
31403-4400	31403-4410			D	GREEN															
31403-4500	31403-4510			B	BLACK															
31403-4600	31403-4610			C	BLACK															
31403-4700	31403-4710			D	BLACK															
31404-4100	31404-4110			A	BLACK															
31404-4200	31404-4210			B	GRAY															
31404-4300	31404-4310			C	BROWN															
31404-4400	31404-4410			D	GREEN															
31404-4500	31404-4510			B	BLACK															
31404-4600	31404-4610			C	BLACK															
31404-4700	31404-4710			D	BLACK															
31404-4100	31404-4110			A	BLACK															
31404-4200	31404-4210			B	GRAY															
31404-4300	31404-4310			C	BROWN															
31404-4400	31404-4410			D	GREEN															
31404-4500	31404-4510			B	BLACK															
31404-4600	31404-4610			C	BLACK															
31404-4700	31404-4710			D	BLACK															

SYMBOLS = 0 = 0 = 0 = 0 = 0 = 0 = 0 = 0 = 0 = 0	THIS DRAWING CONTAINS INFORMATION THAT IS PROPRIETARY TO MOLEX ELECTRONIC TECHNOLOGIES, LLC AND SHOULD NOT BE USED WITHOUT WRITTEN PERMISSION		CURRENT REV DESC:		 0.64 USCAR CONNECTOR SEALED SINGLE ROW ASSEMBLY PRODUCT CUSTOMER DRAWING	
	DIMENSION UNITS	SCALE	EC NO: 620871			
	mm	1:1	DRWN: HKLIANG 2019/07/22			
	GENERAL TOLERANCES (UNLESS SPECIFIED)		CHK'D: JDENG02 2019/07/29			
	ANGULAR TOL ± 3.0°		APPR: JDENG02 2019/07/29			
	4 PLACES ±		INITIAL REVISION:			
	3 PLACES ±		DRWN: RCARLSON 2004/03/01			
	2 PLACES ± 0.13		2004/09/30			
	1 PLACE ± 0.3		APPR: PBERG			
	0 PLACES ±		DRAFT WHERE APPLICABLE MUST REMAIN WITHIN DIMENSIONS			
THIRD ANGLE PROJECTION		DRAWING	SERIES	MATERIAL NUMBER	CUSTOMER	SHEET NUMBER
		D-SIZE	31402	SD-31402-211	GENERAL MARKET	6 OF 9

PART NUMBER WITHOUT CPA	PART NUMBER WITH CPA	CLIPSLLOT OPTION	ROW/ CIRCUITS	KEY*	MATTE SEAL COLOR	PERIMETER SEAL COLOR	CONNECTOR COLOR	WIDTH DIM (A)	MIN. PASS THRU DIA.	FEMALE TERMINAL SUPPLIER	USCAR FOOTPRINT DRAWING NO.	STATUS							
31402-5100	31402-5110	NO	1 X 5	A	TBD	TBD	BLACK	23.80	(24.28)	TYCO OR MOLEX GET 0.64	064-S-005-1-Z02	NOT TOOLED							
31402-5200	31402-5210			B			GRAY					NOT TOOLED							
31402-5300	31402-5310			C			BROWN					NOT TOOLED							
31402-5400	31402-5410			D			GREEN					NOT TOOLED							
31402-5500	31402-5510			B			BLACK					NOT TOOLED							
31402-5600	31402-5610			C			BLACK					NOT TOOLED							
31402-5700	31402-5710			D			BLACK					NOT TOOLED							
31403-5100	31403-5110			A			BLACK					NOT TOOLED							
31403-5200	31403-5210			B			GRAY					NOT TOOLED							
31403-5300	31403-5310			C			BROWN					NOT TOOLED							
31403-5400	31403-5410			D			GREEN					NOT TOOLED							
31403-5500	31403-5510			B			BLACK					NOT TOOLED							
31403-5600	31403-5610			C			BLACK			NOT TOOLED									
31403-5700	31403-5710			D			BLACK			NOT TOOLED									
31404-5100	31404-5110			A			BLACK			NOT TOOLED									
31404-5200	31404-5210			B			GRAY			NOT TOOLED									
31404-5300	31404-5310			C			BROWN			NOT TOOLED									
31404-5400	31404-5410			D			GREEN			NOT TOOLED									
31404-5500	31404-5510			B			BLACK			NOT TOOLED									
31404-5600	31404-5610			C			BLACK			NOT TOOLED									
31404-5700	31404-5710			D			BLACK			NOT TOOLED									
31402-6100	31402-6110			NO			1 X 6			A		ROYAL BLUE	LIGHT BLUE	BLACK	26.33	(26.82)	TYCO OR MOLEX GET 0.64	064-S-006-1-Z02	SALEABLE
31402-6200	31402-6210									B				GRAY					SALEABLE
31402-6300	31402-6310									C				BROWN					TOOLED, COLOR UNAVAILABLE
31402-6400	31402-6410	D	GREEN		TOOLED, COLOR UNAVAILABLE														
31402-6500	31402-6510	B	BLACK		SALEABLE														
31402-6600	31402-6610	C	BLACK		SALEABLE														
31402-6700	31402-6710	D	BLACK		SALEABLE														
31403-6100	31403-6110	A	BLACK		SALEABLE														
31403-6200	31403-6210	B	GRAY		SALEABLE														
31403-6300	31403-6310	C	BROWN		TOOLED, COLOR UNAVAILABLE														
31403-6400	31403-6410	D	GREEN		TOOLED, COLOR UNAVAILABLE														
31403-6500	31403-6510	B	BLACK		SALEABLE														
31403-6600	31403-6610	C	BLACK		SALEABLE														
31403-6700	31403-6710	D	BLACK		SALEABLE														
31404-6100	31404-6110	A	BLACK		OBSOLETE														
31404-6200	31404-6210	B	GRAY		OBSOLETE														
31404-6300	31404-6310	C	BROWN		OBSOLETE														
31404-6400	31404-6410	D	GREEN		OBSOLETE														
31404-6500	31404-6510	B	BLACK		OBSOLETE														
31404-6600	31404-6610	C	BLACK		OBSOLETE														
31404-6700	31404-6710	D	BLACK		OBSOLETE														
31404-6800	31404-6810	C	NATURAL		OBSOLETE														

U
U
U
U
U
U
U

PART NUMBER WITHOUT CPA	PART NUMBER WITH CPA	CLIPSLLOT OPTION	ROW/ CIRCUITS	KEY*	MATTE SEAL COLOR	PERIMETER SEAL COLOR	CONNECTOR COLOR	WIDTH DIM (A)	MIN. PASS THRU DIA.	FEMALE TERMINAL SUPPLIER	USCAR FOOTPRINT DRAWING NO.	STATUS							
31402-8100	31402-8110	NO	1 X 8	A	TBD	TBD	BLACK	31.25	(31.90)	TYCO OR MOLEX GET 0.64	064-S-008-1-Z02	NOT TOOLED							
31402-8200	31402-8210			B			GRAY					NOT TOOLED							
31402-8300	31402-8310			C			BROWN					NOT TOOLED							
31402-8400	31402-8410			D			GREEN					NOT TOOLED							
31402-8500	31402-8510			B			BLACK					NOT TOOLED							
31402-8600	31402-8610			C			BLACK					NOT TOOLED							
31402-8700	31402-8710			D			BLACK					NOT TOOLED							
31403-8100	31403-8110			A			BLACK					NOT TOOLED							
31403-8200	31403-8210			B			GRAY					NOT TOOLED							
31403-8300	31403-8310			C			BROWN					NOT TOOLED							
31403-8400	31403-8410			D			GREEN					NOT TOOLED							
31403-8500	31403-8510			B			BLACK					NOT TOOLED							
31403-8600	31403-8610			C			BLACK			NOT TOOLED									
31403-8700	31403-8710			D			BLACK			NOT TOOLED									
31404-8100	31404-8110			A			BLACK			NOT TOOLED									
31404-8200	31404-8210			B			LT. GRAY			NOT TOOLED									
31404-8300	31404-8310			C			DK. GRAY			NOT TOOLED									
31404-8400	31404-8410			D			TBD			NOT TOOLED									
																	REFER TO SD-31404-811		INFORMATION REFER TO SD-31404-811

SYMBOLS	THIS DRAWING CONTAINS INFORMATION THAT IS PROPRIETARY TO MOLEX ELECTRONIC TECHNOLOGIES, LLC AND SHOULD NOT BE USED WITHOUT WRITTEN PERMISSION		CURRENT REV DESC:	molex
	DIMENSION UNITS	SCALE		
▽ = 0	mm	1:1		
▽ = 0	GENERAL TOLERANCES (UNLESS SPECIFIED)			
▽ = 0	ANGULAR TOL	± 3.0°	EC NO: 620871	
▽ = 0	4 PLACES	±	DRWN: HKLIANG 2019/07/22	
▽ = 0	3 PLACES	±	CHK'D: JDENG02 2019/07/29	
▽ = 0	2 PLACES	± 0.13	APPR: JDENG02 2019/07/29	
▽ = 0	1 PLACE	± 0.3	INITIAL REVISION:	
▽ = 0	0 PLACES	±	DRWN: RCARLSON 2004/03/01	
▽ = 0	DRAFT WHERE APPLICABLE MUST REMAIN WITHIN DIMENSIONS		APPR: PBERG 2004/09/30	
▽ = 0	THIRD ANGLE PROJECTION	DRAWING	SERIES	
		D-SIZE	31402	
		MATERIAL NUMBER	CUSTOMER	
		SD-31402-211	GENERAL MARKET	
		DOCUMENT NUMBER	DOC TYPE	DOC PART
				REVISION
				U1
				SHEET NUMBER
				7 OF 9

ADDITIONAL CAVITY PLUG CONFIGURATIONS:

ROW/ CIRCUITS	FEMALE TERMINAL	MOLEX P/N WITH CPA	MOLEX P/N WITHOUT CPA	KEY OPTION	CLIPSLOT OPTION	COLOR	CIRCUIT NUMBER: "0" INDICATED PLUG LOCATION						TOTAL CIRCUITS PLUGGED	STATUS
							1	2	3	4	5	6		
1X6	TYCO/MOLEX GET	31402-6110	31402-6100	A	NO	BLACK							0	SALEABLE
		31402-6111	31402-6101	A	NO	BLACK	0	0	0	0	0	0	6	SALEABLE
		31402-6112	31402-6102	A	NO	BLACK	0	0					2	SALEABLE
		31402-6113	31402-6103	A	NO	BLACK		0					1	SALEABLE
		31402-6114	31402-6104	A	NO	BLACK	0	0	0	0			4	SALEABLE
		31402-6115	31402-6105	A	NO	BLACK			0		0	0	3	SALEABLE
		31402-6118	31402-6108	A	NO	BLACK					0		1	SALEABLE
		31402-6119	31402-6109	A	NO	BLACK				0			1	SALEABLE
		31402-6131	31402-6121	A	NO	BLACK				0			1	SALEABLE
		31402-6150	31402-6140	A	YES	BLACK							0	SALEABLE
		31402-6211	31402-6201	B	NO	GRAY	0	0	0	0	0	0	6	SALEABLE
		31402-6311	31402-6301	C	NO	BROWN	0	0	0	0	0	0	6	TOOLED, COLOR UNAVAILABLE
	31402-6411	31402-6401	D	NO	GREEN	0	0	0	0	0	0	6	TOOLED, COLOR UNAVAILABLE	
	31402-6511	31402-6501	B	NO	BLACK	0	0	0	0	0	0	6	SALEABLE	
	31402-6611	31402-6601	C	NO	BLACK	0	0	0	0	0	0	6	SALEABLE	
	31402-6711	31402-6701	D	NO	BLACK	0	0	0	0	0	0	6	SALEABLE	
	MOLEX 0.64	31403-6110	31403-6100	A	NO	BLACK							0	SALEABLE
		31403-6111	31403-6101	A	NO	BLACK	0	0	0	0	0	0	6	SALEABLE
		31403-6112	31403-6102	A	NO	BLACK			0				1	SALEABLE
		31403-6113	31403-6103	A	NO	BLACK	0	0	0		0		4	SALEABLE
		31403-6114	31403-6104	A	NO	BLACK					0	0	2	SALEABLE
		31403-6211	31403-6201	B	NO	GRAY	0	0	0	0	0	0	6	SALEABLE
		31403-6212	31403-6202	B	NO	GRAY				0	0	0	3	SALEABLE
		31403-6311	31403-6301	C	NO	BROWN	0	0	0	0	0	0	6	TOOLED, COLOR UNAVAILABLE
		31403-6411	31403-6401	D	NO	GREEN	0	0	0	0	0	0	6	TOOLED, COLOR UNAVAILABLE
		31403-6511	31403-6501	B	NO	BLACK	0	0	0	0	0	0	6	SALEABLE
		31403-6611	31403-6601	C	NO	BLACK	0	0	0	0	0	0	6	SALEABLE
		31403-6711	31403-6701	D	NO	BLACK	0	0	0	0	0	0	6	SALEABLE
	YAZAKI KAIZEN 0.64 TE GEN Y 0.64 JST AIT 0.64	31404-6110	31404-6100	A	NO	BLACK							0	OBSOLETE
		31404-6111	31404-6101	A	NO	BLACK	0	0	0	0	0	0	6	OBSOLETE
		31404-6112	31404-6102	A	NO	BLACK	0		0				2	OBSOLETE
		31404-6113	31404-6103	A	NO	BLACK	0					0	2	OBSOLETE
		31404-6116	31404-6106	A	NO	BLACK						0	1	OBSOLETE
31404-6117		31404-6107	A	NO	BLACK	0		0			0	3	OBSOLETE	
31404-6118		31404-6108	A	NO	BLACK	0						1	OBSOLETE	
31404-6119		31404-6109	A	NO	BLACK				0		0	3	OBSOLETE	
31404-6132		31404-6122	A	NO	BLACK			0				1	OBSOLETE	
31404-6211		31404-6201	B	NO	GRAY	0	0	0	0	0	0	6	OBSOLETE	
31404-6213		31404-6203	B	NO	GRAY	0					0	2	OBSOLETE	
31404-6214		31404-6204	B	NO	GRAY						0	1	OBSOLETE	
31404-6812	31404-6802	C	NO	NATURAL				0		0	3	OBSOLETE		
1X3	TYCO/MOLEX GET	31402-3113	31402-3103	A	NO	BLACK			0			1	SALEABLE	
		31402-3114	31402-3104	A	NO	BLACK	0					1	SALEABLE	
		31402-3115	31402-3105	A	NO	BLACK		0				1	SALEABLE	
	MOLEX 0.64 YAZAKI KAIZEN 0.64, TE GEN Y 0.64, JST AIT 0.64	31403-3132	31403-3122	A	NO	GRAY		0				1	SALEABLE	
		31404-3112	31404-3102	A	NO	BLACK		0				1	SALEABLE	

SYMBOLS	THIS DRAWING CONTAINS INFORMATION THAT IS PROPRIETARY TO MOLEX ELECTRONIC TECHNOLOGIES, LLC AND SHOULD NOT BE USED WITHOUT WRITTEN PERMISSION		CURRENT REV DESC:		molex
	DIMENSION UNITS	SCALE			
▽ = 0	mm	1:1			0.64 USCAR CONNECTOR SEALED SINGLE ROW ASSEMBLY
▽ = 0	GENERAL TOLERANCES (UNLESS SPECIFIED)				
▽ = 0	ANGULAR TOL ± 3.0°		EC NO: 620871		PRODUCT CUSTOMER DRAWING
▽ = 0	4 PLACES ±		DRWN: HKLIANG 2019/07/22		
▽ = 0	3 PLACES ±		CHK'D: JDENG02 2019/07/29		DOCUMENT NUMBER
▽ = 0	2 PLACES ± 0.13		APPR: JDENG02 2019/07/29		
▽ = 0	1 PLACE ± 0.3		INITIAL REVISION:		SD-31402-211
▽ = 0	0 PLACES ±		DRWN: RCARLSON 2004/03/01		
▽ = 0	DRAFT WHERE APPLICABLE MUST REMAIN WITHIN DIMENSIONS		APPR: PBERG 2004/09/30		DOC TYPE
▽ = 0	THIRD ANGLE PROJECTION		DRAWING		DOC PART
		D-SIZE		SERIES	REVISION
		31402		MATERIAL NUMBER	PSD 001 U1
		GENERAL MARKET		CUSTOMER	SHEET NUMBER
					8 OF 9

PART NUMBER WITHOUT CPA	PART NUMBER WITH CPA	CLIPSLOT OPTION	ROW/ CIRCUITS	KEY*	MATTE SEAL COLOR	PERIMETER SEAL COLOR	CONNECTOR COLOR	WIDTH DIM (A)	MIN. PASS THRU DIA.	FEMALE TERMINAL SUPPLIER	USCAR FOOTPRINT DRAWING NO.	STATUS
31404-7100	31404-7110	NO	1X6	A	ROYAL BLUE	LIGHT BLUE	BLACK	26.33	(26.82)	YAZAKI KAIZEN 0.64 TE GEN Y 0.64 JST AIT 0.64	064-S-006-1-Z02	SALEABLE
31404-7200	31404-7210			B			GRAY					SALEABLE
31404-7300	31404-7310			C			BROWN					TOOLED, COLOR UNAVAILABLE
31404-7400	31404-7410			D			GREEN					TOOLED, COLOR UNAVAILABLE
31404-7500	31404-7510			B			BLACK					SALEABLE
31404-7600	31404-7610			C			BLACK					SALEABLE
31404-7700	31404-7710			D			BLACK					SALEABLE
31404-7800	31404-7810			C			NATURAL					SALEABLE

ADDITIONAL CAVITY PLUG CONFIGURATIONS:

ROW/ CIRCUITS	FEMALE TERMINAL	MOLEX P/N WITH CPA	MOLEX P/N WITHOUT CPA	KEY OPTION	CLIPSLOT OPTION	COLOR	CIRCUIT NUMBER: "0" INDICATED PLUG LOCATION						TOTAL CIRCUITS PLUGGED	STATUS
							1	2	3	4	5	6		
1X6	YAZAKI KAIZEN 0.64 TE GEN Y 0.64 JST AIT 0.64	31404-7110	31404-7100	A	NO	BLACK							0	SALEABLE
		31404-7111	31404-7101	A	NO	BLACK	0	0	0	0	0	0	6	SALEABLE
		31404-7112	31404-7102	A	NO	BLACK	0		0				2	SALEABLE
		31404-7113	31404-7103	A	NO	BLACK	0					0	2	SALEABLE
		31404-7116	31404-7106	A	NO	BLACK						0	1	SALEABLE
		31404-7117	31404-7107	A	NO	BLACK	0		0			0	3	SALEABLE
		31404-7118	31404-7108	A	NO	BLACK	0						1	SALEABLE
		31404-7119	31404-7109	A	NO	BLACK			0		0	0	3	SALEABLE
		31404-7132	31404-7122	A	NO	BLACK			0				1	SALEABLE
		31404-7133	31404-7123	A	NO	BLACK		0					1	SALEABLE
		31404-7134	31404-7124	A	NO	BLACK				0		0	2	SALEABLE
		31404-7135	31404-7125	A	NO	BLACK		0		0			2	SALEABLE
		31404-7213	31404-7203	B	NO	GRAY	0					0	2	SALEABLE
		31404-7214	31404-7204	B	NO	GRAY						0	1	SALEABLE
		31404-7215	31404-7205	B	NO	GRAY		0					1	SALEABLE
		31404-7216	31404-7206	B	NO	GRAY		0			0	0	3	SALEABLE
		31404-7812	31404-7802	C	NO	NATURAL				0	0	0	3	SALEABLE
		31404-7813	31404-7803	C	NO	NATURAL		0					1	SALEABLE
		31404-7814	31404-7804	C	NO	NATURAL		0			0	0	3	SALEABLE
		31404-7912	31404-7902	D	NO	GRAY		0					1	SALEABLE
31404-7913	31404-7903	D	NO	GRAY		0		0			2	SALEABLE		

SYMBOLS	THIS DRAWING CONTAINS INFORMATION THAT IS PROPRIETARY TO MOLEX ELECTRONIC TECHNOLOGIES, LLC AND SHOULD NOT BE USED WITHOUT WRITTEN PERMISSION													
	DIMENSION UNITS	SCALE	CURRENT REV DESC:											
▽ = 0	mm	1:1	molex 0.64 USCAR CONNECTOR SEALED SINGLE ROW ASSEMBLY PRODUCT CUSTOMER DRAWING											
▽ = 0	GENERAL TOLERANCES (UNLESS SPECIFIED)													
▽ = 0	ANGULAR TOL	± 3.0°												
▽ = 0	4 PLACES	±												
▽ = 0	3 PLACES	±												
▽ = 0	2 PLACES	± 0.13	EC NO: 620871 DRWN: HKLIANG 2019/07/22 CHK'D: JDENG02 2019/07/29 APPR: JDENG02 2019/07/29											
▽ = 0	1 PLACE	± 0.3	INITIAL REVISION: DRWN: RCARLSON 2004/03/01 APPR: PBERG 2004/09/30											
▽ = 0	0 PLACES	±	DRAFT WHERE APPLICABLE MUST REMAIN WITHIN DIMENSIONS											
▽ = 0	THIRD ANGLE PROJECTION		DRAWING		SERIES		MATERIAL NUMBER			CUSTOMER			SHEET NUMBER	
		D-SIZE		31402		GENERAL MARKET			9 OF 9					