

Physical

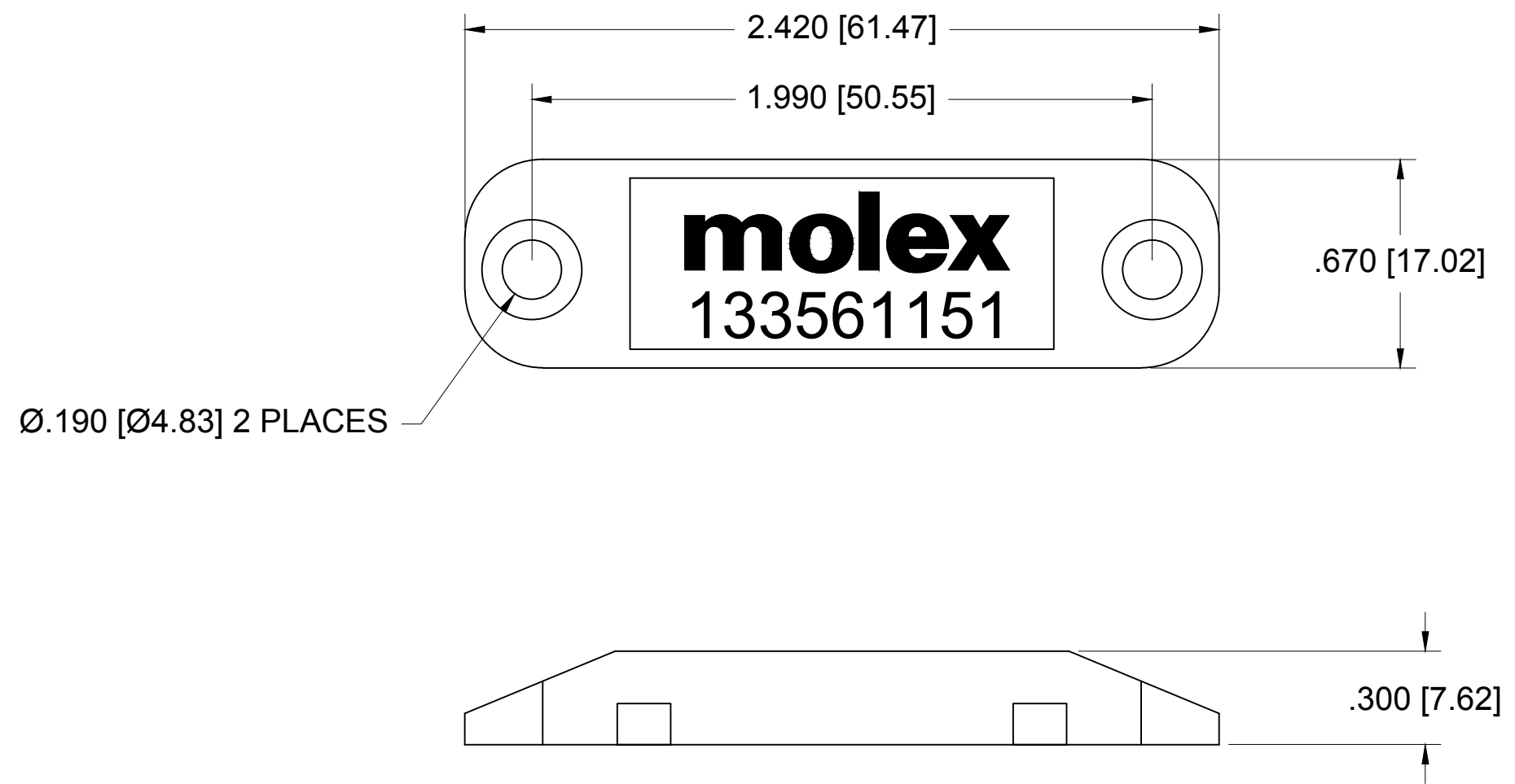
Dimensions	61.47mm x 17.02mm x 7.62mm (2.420" L x .67" W x .30" H)
Mounting Hole Diameter	4.83 mm (.19")
Weight	7.4 grams (0.2 lbs)
Attachment Method	2 screws or rivets; 3M high strength VHB adhesive
Encasement	One piece no welding construction

Electrical/RF

Typical Read Range	4.57 Meters (15 feet)
Frequency	902-928 MHz (U.S. Band)
IC Platform	Alien Technology Higgs3
IC Memory	96 bit EPC
RF Protocol	UHF, EPC Class 1 Gen 2, ISO18000-6C

Environmental

Mounting Substrates	Metal
Operating Temperature	-40°C to +85°C (-40° to +185°F)
Temperature Tolerance	-40°C to +160°C (-40° to +320°F)
UV Stabilization	10 Years
Classification	IP68



PRELIMINARY RELEASE EC NO: USW2019-0134 DRWN: MJM 2019/02/06	DESCRIPTION REV	QUALITY SYMBOL	GENERAL TOLERANCES (UNLESS SPECIFIED)		DIMENSION STYLE		SCALE	DESIGN UNITS	THIRD ANGLE PROJECTION			
		▼=0 ▽=0	mm	INCH	IN/MM		2:1	INCH				
			4 PLACES	±---	±---	DRAWN BY	DATE	TITLE				
			3 PLACES	±---	±.010	MMALONE	2019/02/06	RFID SALES DRAWING				
			2 PLACES	±.25	±.030	CHECKED BY	DATE					
	1 PLACE	±.76	±---	---	---	APPROVED BY		DATE		MOLEX INCORPORATED		
		ANGULAR ±1/2°		DRAFT WHERE APPLICABLE MUST REMAIN WITHIN DIMENSIONS		DENGLISH		2019/03/04		MATERIAL NO. 133561151		
						SIZE C		THIS DRAWING CONTAINS INFORMATION THAT IS PROPRIETARY TO MOLEX INCORPORATED AND SHOULD NOT BE USED WITHOUT WRITTEN PERMISSION		DOCUMENT NO. SD-13356-1151		
										SHEET NO. 1 OF 1		