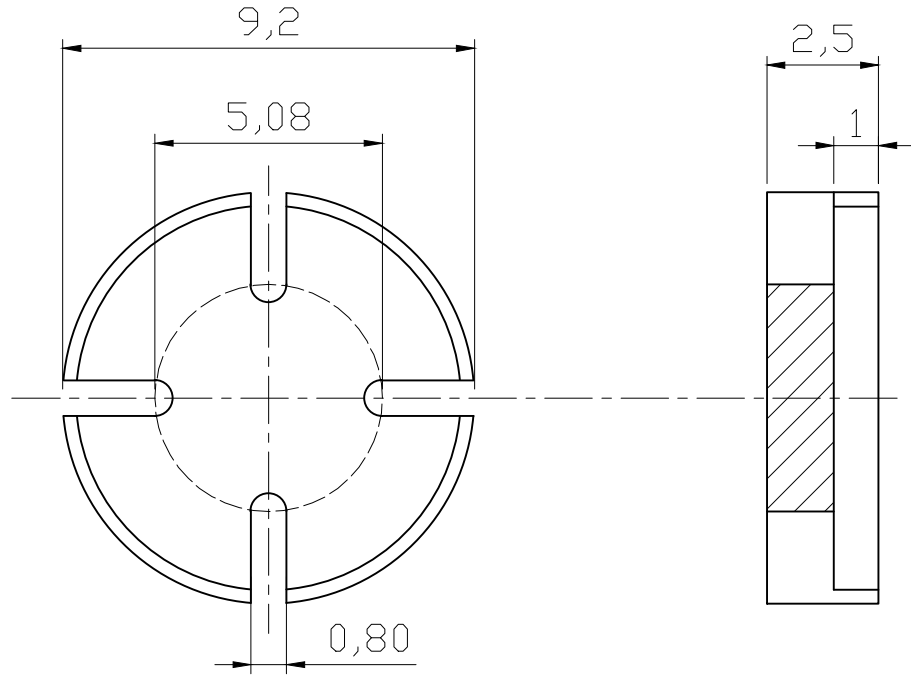


RoHS compliant



RoHS compliant
Unit:mm

Material : POLYPROPYLEN

Scale	1:1					Date	Name	Customer-No.
TOLERANCE						Drawn	20.08.2009	Dean
X.	±X					Approved	31.05.2011	Andy
X.X	±X							ASSMANN WSW-No. V4555
X.XX	±X	③	Material add.	31.05.2011	Schulz			Drawing-No.
DIM	TOL	②	Modify drawing layout	10.03.2010	Alex	ASSMANN WSW components	ASS 0924 HS	rev03
X.°	±X°							
X.X°	±X°	①	Drawn	20.08.2009	Dean			
Angle	TOL	Id.	Modification	Date	Name	Replace	Sheet	



ASS 0924 HS rev03