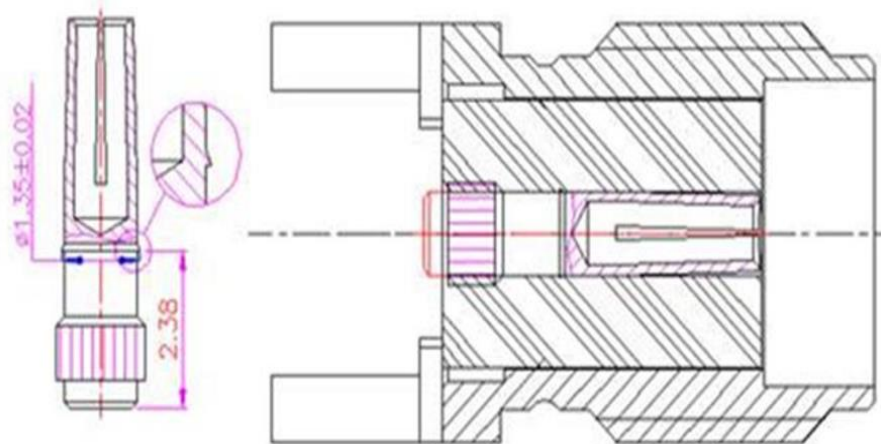




520 Park East Blvd., New Albany, IN 47150  
U.S.A (812)-944-6733/1-800-SAMTEC9

## Product Change Customer Notification

<b>1. QP#:</b> 515859
<b>2. Date of Announcement:</b> 11/9/2020
<b>3. Customer(s) Name(s):</b> DIGIKEY
<b>4. Affected Part Number(s):</b> SMA-J-P-H-ST-MT1
<b>5. New Part Number (if applicable):</b> Not applicable
<b>6. Description of Change:</b> Add a barb on center pin
<b>7. Method of Identifying Change:</b> The barb on center pin will be filled inside the insulator and will not be seen from outside. Therefore, no appearance different on finished assembly good. 
<b>8. Reason for Change:</b> To increase the retention force of the center pin to better withstand the heat experienced in the most severe rework conditions.
<b>9. Impact of Change on Form, Fit, or Function:</b> <i>No FFF change</i>
<b>10. Change type:</b> This is a running or go-forward change because old revision product works acceptably in standard soldering environments.
<b>11. Projected Implementation Date:</b> 10/20/2020