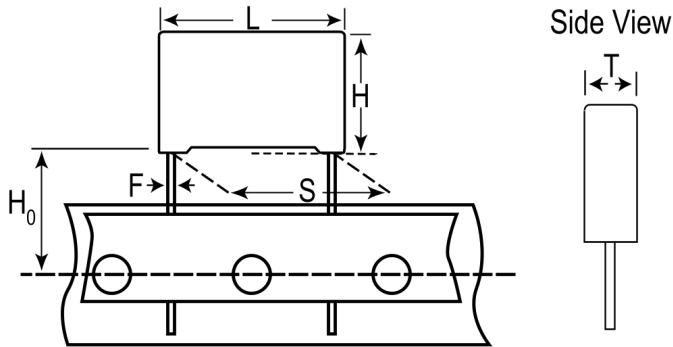


## R79GC3220CK40K

Aliases (79GC3220CK40K)

Not for New Design

R79, Film, Metallized Polypropylene, General Purpose, 0.22 uF, 10%, 160 VDC, 85°C, Lead Spacing = 5mm



Click [here](#) for the 3D model.

### Dimensions

L	7.2mm +0.3/-0.5mm
H	13mm +0.1/-0.5mm
T	7.2mm +0.1/-0.5mm
S	5mm +0.6/-0.1mm
H <sub>0</sub>	18.5mm +/-0.5mm
F	0.5mm +/-0.05mm

### Packaging Specifications

Packaging	T&R
Packaging Quantity	800

### General Information

Series	R79
Dielectric	Metallized Polypropylene
Style	Radial
Features	Pulse
RoHS	Yes
Lead	Wire Leads
AEC-Q200	No
Miscellaneous	Above 85C DC And AC Voltage Derating Is 1.25%/C.
Notes	Series Replaced by R75.

### Specifications

Capacitance	0.22 uF
Capacitance Tolerance	10%
Voltage AC	70 VAC
Voltage DC	160 VDC
Temperature Range	-55/+105°C
Rated Temperature	85°C
Dissipation Factor	0.06% 1kHz, 0.1% 10kHz
Insulation Resistance	100 GOhms
Max dV/dt	100 V/us
Inductance	6 nH