

Type LPM-01 In-Line Fuse Holder Mini Auto Blade Fuses Splashproof Type



www.optifuse.com (619) 593-5050

Ratings:

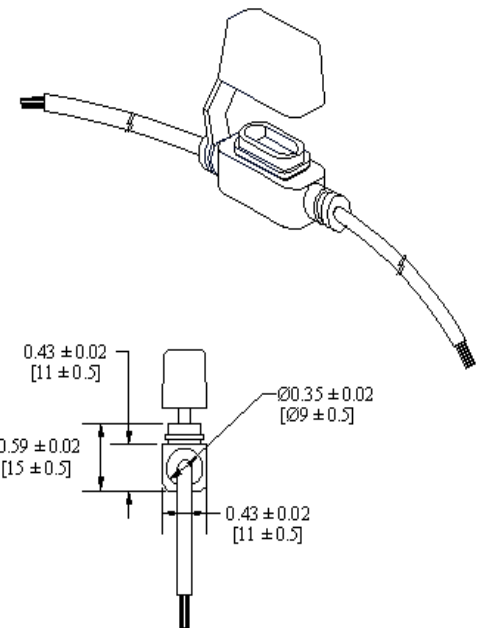
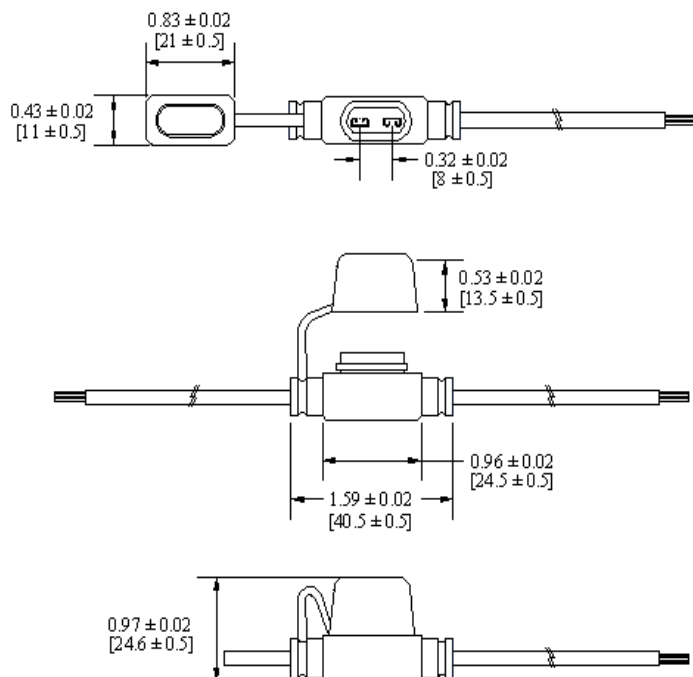
- Fuse Type:** Mini Auto Blade – APMs, ANMs
- Electrical Rating:** 58V
- Temperature Rating:** -40° C to 85° C
- Body:** PVC (UL94V-0)
- Contacts:** Brass
- IP Rating:** IP65
- Wire Type:** UL1015 rated to FTI (VW1) – Stranded
- Wire Gauges:** See Wire Gauge Table
- Wire Colors:** Red, Yellow, Orange, Black
- Body colors:** Black
- Standard Wire Length:** 4 inches

Available in various wire gauges and lengths, and wire colors.

Bare Copper wire also available.

Contact factory for those not listed above.

Mechanical Dimensions: Inches [mm]



Part number format

LPM-01B-##Z

Where ## = Wire gauge

Z = Wire color (R, Y, OR, B)

Wire Gauge	Max. Amperage
12 AWG	30 A
14 AWG	20 A
16 AWG	15 A
18 AWG	10 A
20 AWG	7.5 A

Warning:



- Operation beyond the specified maximum ratings or improper use may result in damage and possible electrical arcing and/or flame.
- Avoid contact of device with chemical solvent. Prolonged contact may damage the device performance.
- Not designed for prolonged liquid exposure or submersible applications.