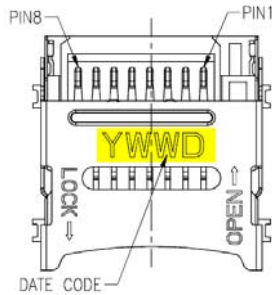


Amphenol Taiwan Corporation Product Change Notification

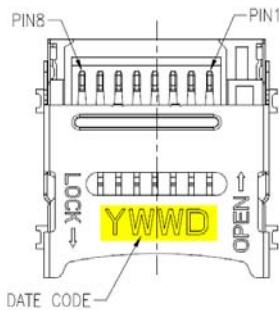
| | | | |
|---------------------------------|--|--------------------|--------------|
| Part Numbers Concerned : | GTFH081X1YHR | Originator: | Karen Su |
| Product Description: | MICRO-SD SOCKET HINGE TYPE RIGHT ANGLE SMT, H=1.80mm | Issue Date: | 2020/09/08 |
| | | PCN NO: | PCN_20200908 |
| Distribution: | | | |

Product change notice
CHANGE D/C POSITION

Old: GTFH081X1YHR Rev.A



New: GTFH081X1YHR_PCN



Background:

Request from the factory

Product Part Number Affected:

PART NO. GTFH081 X 1YHR
CONTACT FINISH
0: GLOD FLASH
2: 10u" GOLD
3: 15u" GOLD
4: 30u" GOLD

Implementation date:

Running change

Recommended Action:

The sales team notifies the customer of the part change.

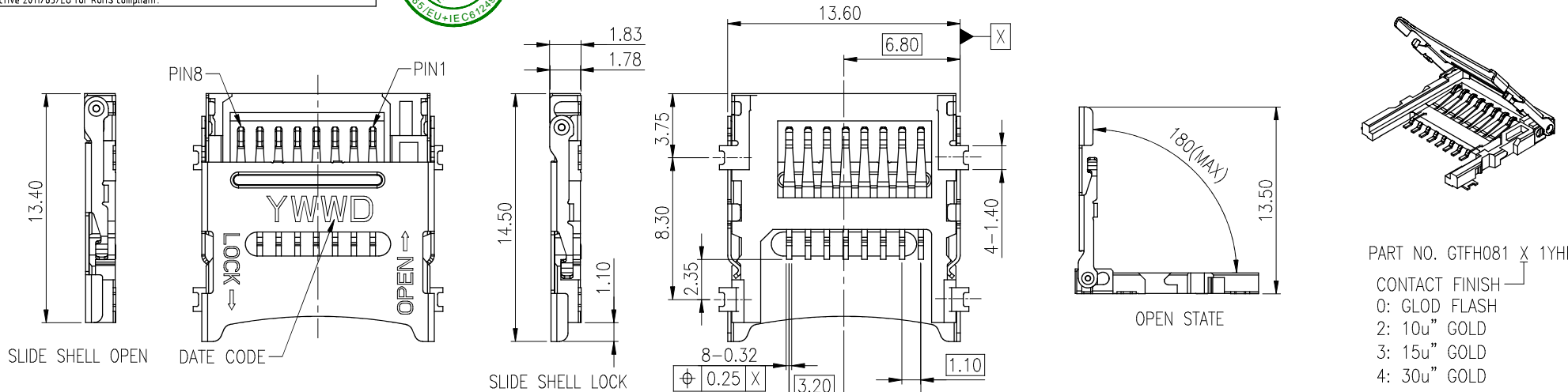
This document is the property of Amphenol Corporation and is delivered on the express condition that it is not to be disclosed, reproduced or used, in whole or in part, for manufacture or sale by anyone other than Amphenol Corporation without its prior consent, and that no right is granted to disclose or to use any information in this document.

The marking on this product doesn't contain environmental hazardous materials per Material Specification SS-00259 for Sony GP compliant or per directive 2011/65/EU for RoHS compliant.



ORIGINAL

| REVISIONS | | | | |
|-----------|----------|------------------|------------|------------|
| SYM | ECN No. | DESCRIPTION | DATE | APPROVED |
| A | NE-18105 | RELEASE REVISION | 06/06/2018 | Roger Tsai |

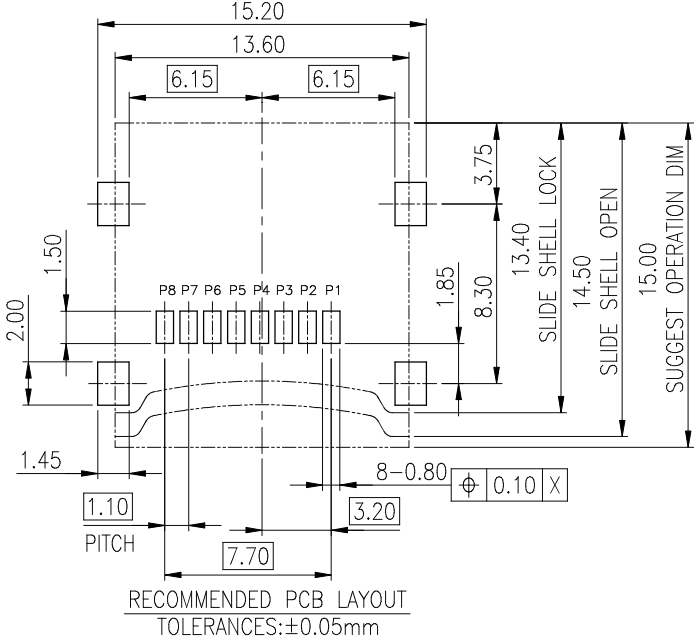


PART NO. GTFH081 X 1YHR
 CONTACT FINISH
 0: GLOD FLASH
 2: 10u" GOLD
 3: 15u" GOLD
 4: 30u" GOLD



- NOTES:
- MATERIAL:
 HOUSING: HIGH TEMPERATURE THERMAL PLASTIC LCP, UL94V-0, COLOR: BLACK.
 TERMINAL: COPPER ALLOY.
 SHELL: STAINLESS STEEL.
 - FINISH:
 TERMINAL:
 CONTACT AREA: SELECTIVE GOLD PLATING THICKNESS MIN.
 SOLDERING AREA: GOLD FLASH PLATING THICKNESS MIN.
 UNDER PLATING: NICKEL PLATING 50u" THICKNESS MIN. OVERALL.
 SHELL:
 NICKEL PLATING 50u" THICKNESS MIN. OVERALL.
 HOLD DOWN:
 SOLDERING AREA: GOLD FLASH PLATING THICKNESS MIN.
 UNDER PLATING: NICKEL PLATING 50u" THICKNESS MIN. OVERALL.
 - OPERATING TEMPERATURE : -25°C ~ +70°C.
 - THIS PRODUCT IS HALOGEN-FREE PRODUCT.
 - PRODUCT SPECIFICATION REFER TO : PS-7628.
 - TEST SUMMARY REFER TO : TS-7628-001.

| PIN NUMBER | PIN ASSIGNMENT |
|------------|----------------|
| 1 | DAT2 |
| 2 | CD/DAT3 |
| 3 | CMD |
| 4 | VDD |
| 5 | CLK |
| 6 | VSS |
| 7 | DAT0 |
| 8 | DAT1 |



| TOLERANCE | APPROVALS | DATE | TITLE | | PART No. | |
|----------------------------|---------------------|--------------------|---|--|--|--------------|
| X. ±0.30 | DRAWN Karen Su | 06/06/2018 | MICRO-SD SOCKET HINGE TYPE RIGHT ANGLE SMT, H=1.80mm | | Amphenol® Amphenol Corporation Amphenol Taiwan Corporation | |
| X.X ±0.20 | | | | | | |
| X.XX ±0.20 | CHECKED Aqua Chou | 06/06/2018 | | | UNIT mm | SIZE A3 |
| X.XXX ±0.10 | APPROVED Roger Tsai | 06/06/2018 | | | SCALE NA | SHEET 1 OF 2 |
| ANGULAR ±1° | DWG TYPE CUST DWG | PROJECT CODE OTHER | | | PART No. GTFH081X1YHR | |
| UNLESS OTHERWISE SPECIFIED | | | | | DWG No. GTFH081X1YHR | |
| | | | | | | REV A |

This document is the property of Amphenol Corporation and is delivered on the express condition that it is not to be disclosed, reproduced or used, in whole or in part, for manufacture or sale by anyone other than Amphenol Corporation without its prior consent, and that no right is granted to disclose or to use any information in this document.

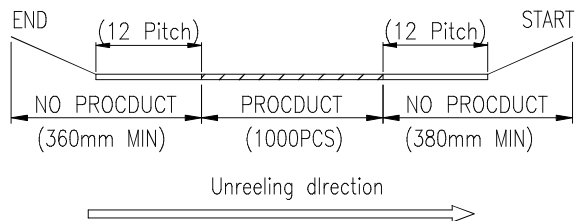
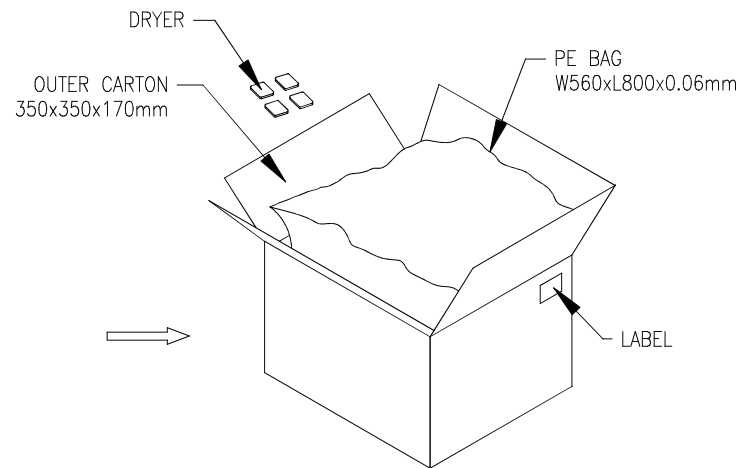
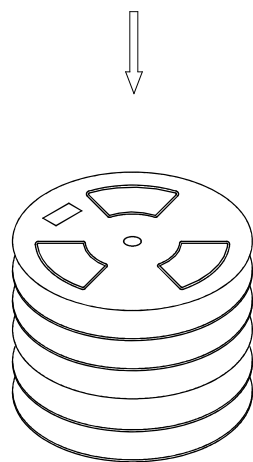
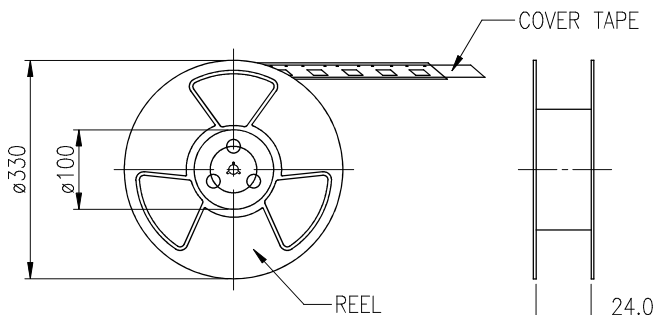
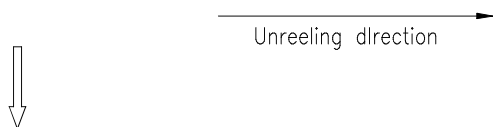
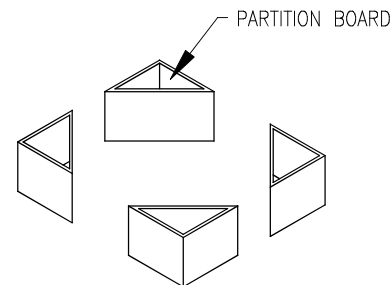
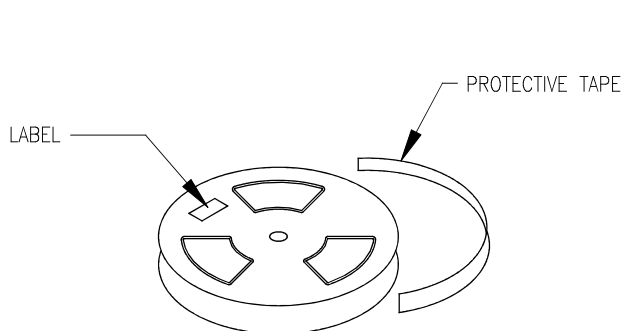
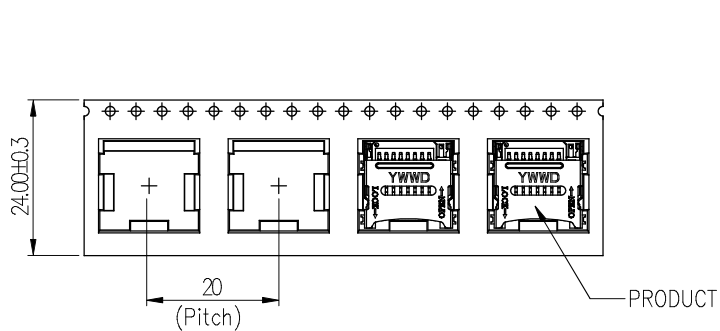
The marking on this product doesn't contain environmental hazardous materials per Material Specification SS-00259 for Sony GP compliant or per directive 2011/65/EU for RoHS compliant.



ORIGINAL



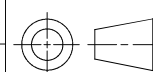
| REVISIONS | | | | |
|-----------|----------|------------------|------------|------------|
| SYM | ECN No. | DESCRIPTION | DATE | APPROVED |
| A | NE-18105 | RELEASE REVISION | 06/06/2018 | Roger Tsai |



| | | | | | | |
|-------------------|--------|--------|-----------|------------|----------------|--------------|
| PACKAGING BY REEL | 4.90 | 1.97 | 1,000 | 5 | 5,000 | GTFH081X1YHR |
| | G/W KG | N/W KG | PCS/ REEL | REELS/ BOX | QUANTITY (PCS) | PART NUMBER |

| TOLERANCE | APPROVALS | DATE |
|----------------------------|---------------------|--------------------|
| X. ±0.30 | DRAWN Karen Su | 06/06/2018 |
| X.X ±0.20 | CHECKED Aqua Chou | 06/06/2018 |
| X.XXX ±0.10 | APPROVED Roger Tsai | 06/06/2018 |
| ANGULAR ±1° | DWG TYPE CUST DWG | PROJECT CODE OTHER |
| UNLESS OTHERWISE SPECIFIED | | |

| | | | | | |
|--|--------------|-----------------------|--|--------|--|
| TITLE MICRO-SD SOCKET HINGE TYPE RIGHT ANGLE SMT, H=1.80mm | | | PART No. GTFH081X1YHR | | |
| UNLESS OTHERWISE SPECIFIED | | | Amphenol® Amphenol Corporation Amphenol Taiwan Corporation | | |
| UNIT mm | SIZE A3 | PART No. GTFH081X1YHR | | REV. A | |
| SCALE NA | SHEET 2 OF 2 | DWG No. GTFH081X1YHR | | | |

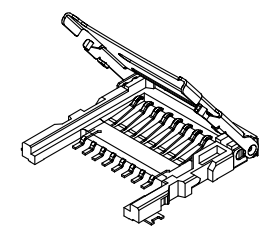
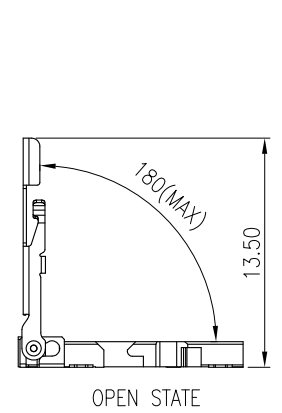
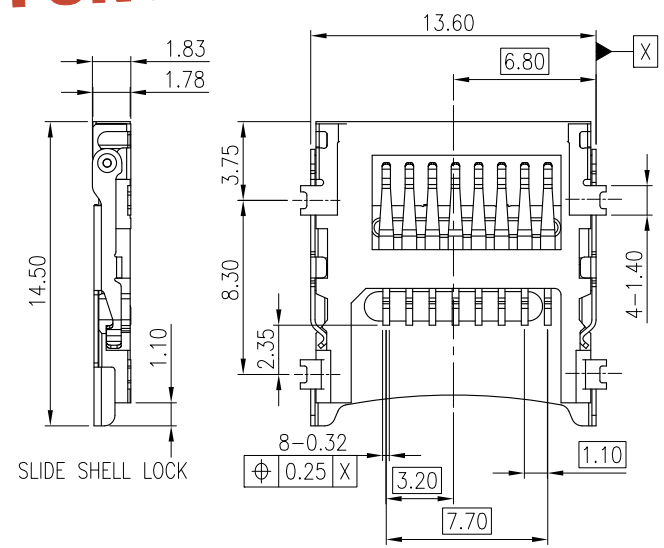
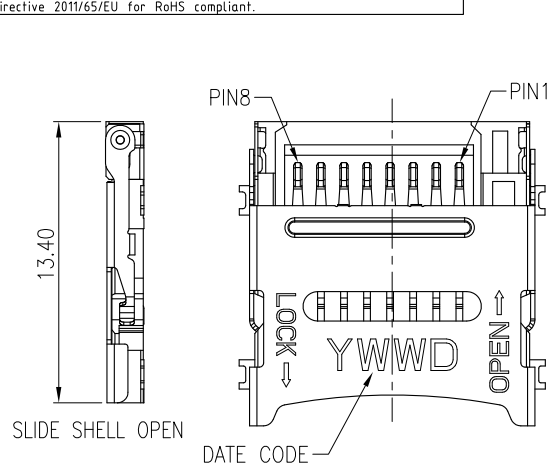


FOR REFERENCE ONLY

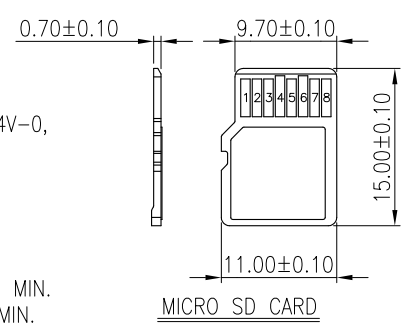
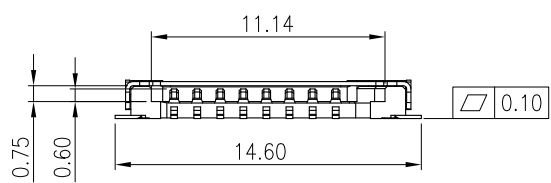
| REVISIONS | | | | |
|--------------|----------|---------------------|------------|------------|
| SYM | ECN No. | DESCRIPTION | DATE | APPROVED |
| A | NE-18105 | RELEASE REVISION | 06/06/2018 | Roger Tsai |
| PCN_20200908 | | CHANGE D/C POSITION | 09/08/2020 | Roger Tsai |

This document is the property of Amphenol Corporation and is delivered on the express condition that is not to be disclosed, reproduced or used, in whole or in part, for manufacture or sale by anyone other than Amphenol Corporation without its prior consent, and that no right is granted to disclose or to use any information in this document.

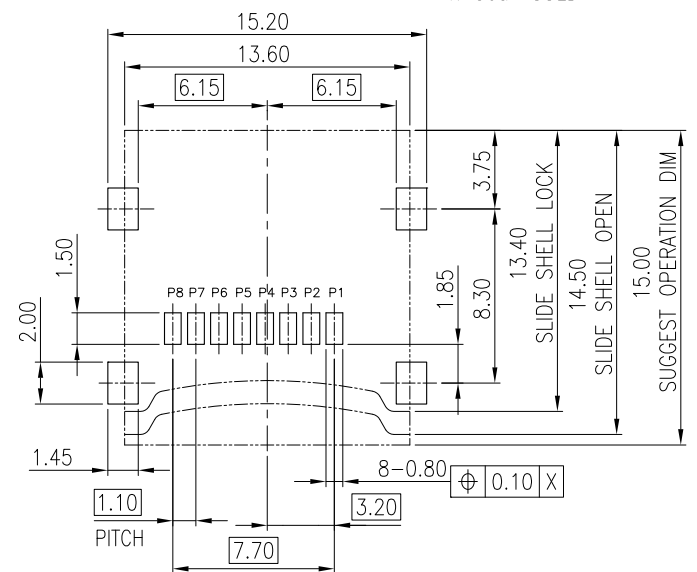
The marking on this product doesn't contain environmental hazardous materials per Material Specification 55-00259 for Sony GP compliant or per directive 2011/65/EU for RoHS compliant.



PART NO. GTFH081 X 1YHR
 CONTACT FINISH
 0: GLOD FLASH
 2: 10u" GOLD
 3: 15u" GOLD
 4: 30u" GOLD



| PIN NUMBER | PIN ASSIGNMENT |
|------------|----------------|
| 1 | DAT2 |
| 2 | CD/DAT3 |
| 3 | CMD |
| 4 | VDD |
| 5 | CLK |
| 6 | VSS |
| 7 | DAT0 |
| 8 | DAT1 |



- NOTES:
- MATERIAL:
 HOUSING: HIGH TEMPERATURE THERMAL PLASTIC LCP, UL94V-0, COLOR: BLACK.
 TERMINAL: COPPER ALLOY.
 SHELL: STAINLESS STEEL.
 - FINISH:
 TERMINAL:
 CONTACT AREA: SELECTIVE GOLD PLATING THICKNESS MIN.
 SOLDERING AREA: GOLD FLASH PLATING THICKNESS MIN.
 UNDER PLATING: NICKEL PLATING 50u" THICKNESS MIN. OVERALL.
 SHELL:
 NICKEL PLATING 50u" THICKNESS MIN. OVERALL.
 HOLD DOWN:
 SOLDERING AREA: GOLD FLASH PLATING THICKNESS MIN.
 UNDER PLATING: NICKEL PLATING 50u" THICKNESS MIN. OVERALL.
 - OPERATING TEMPERATURE : -25°C ~ +70°C.
 - THIS PRODUCT IS HALOGEN-FREE PRODUCT.
 - PRODUCT SPECIFICATION REFER TO : PS-7628.
 - TEST SUMMARY REFER TO : TS-7628-001.

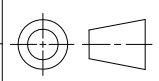
| TOLERANCE | APPROVALS | DATE | |
|----------------------------|---------------------|--------------------|------------|
| X. | DRAWN Karen Su | 09/08/2020 | |
| X.X ±0.30 | | | |
| X.XX ±0.20 | | CHECKED Aqua Chou | 09/08/2020 |
| X.XXX ±0.10 | | | |
| ANGULAR ±1° | APPROVED Roger Tsai | 09/08/2020 | |
| UNLESS OTHERWISE SPECIFIED | DWG TYPE CUST DWG | PROJECT CODE OTHER | |

| TITLE | | |
|---|--------------|-----------------------|
| MICRO-SD SOCKET HINGE TYPE RIGHT ANGLE SMT, H=1.80mm | | |
| UNIT mm | SIZE A3 | PART No. GTFH081X1YHR |
| SCALE NA | SHEET 1 OF 2 | |

Amphenol[®]

Amphenol Corporation
Amphenol Taiwan Corporation

PART No. GTFH081X1YHR
DWG No. GTFH081X1YHR

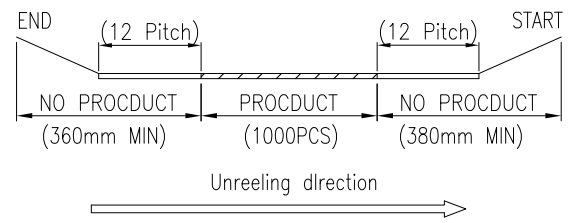
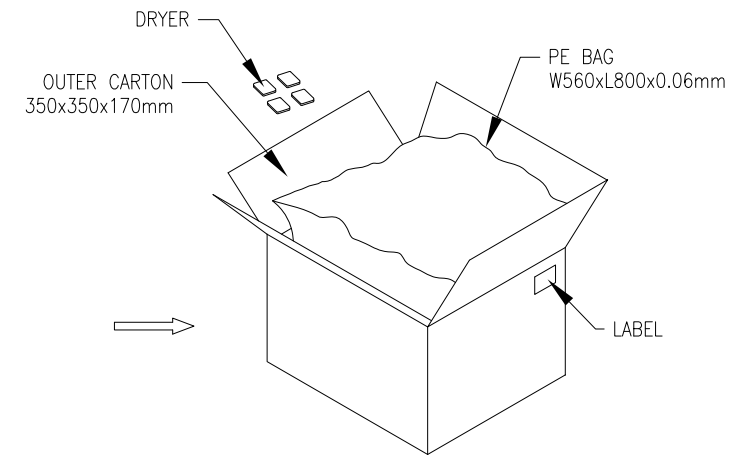
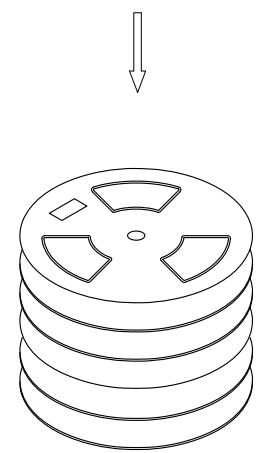
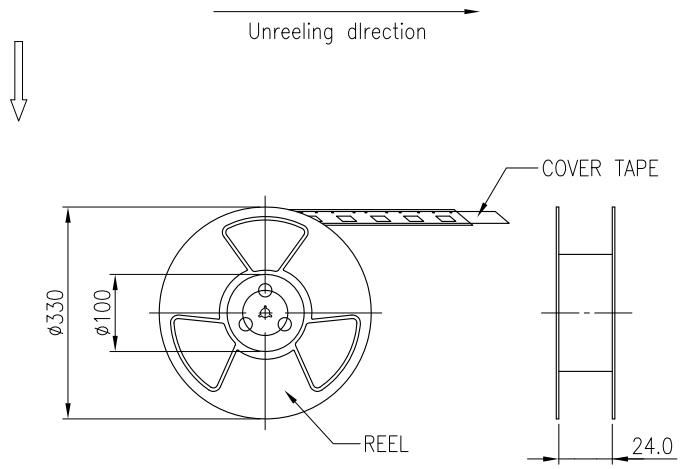
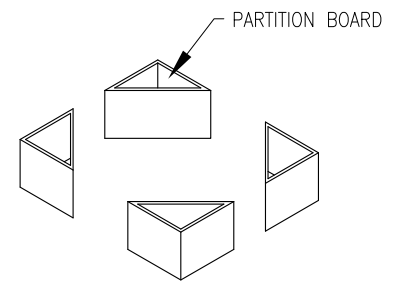
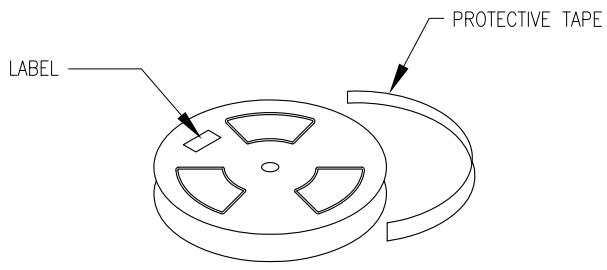
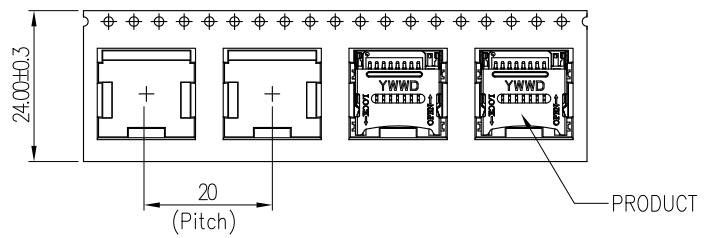


This document is the property of Amphenol Corporation and is delivered on the express condition that is not to be disclosed, reproduced or used, in whole or in part, for manufacture or sale by anyone other than Amphenol Corporation without its prior consent, and that no right is granted to disclose or to use any information in this document.

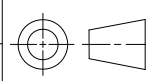
The marking on this product doesn't contain environmental hazardous materials per Material Specification 55-00259 for Sony GP compliant or per directive 2011/65/EU for RoHS compliant.

| REVISIONS | | | | |
|-----------|--------------|---------------------|------------|------------|
| SYM | ECN No. | DESCRIPTION | DATE | APPROVED |
| A | NE-18105 | RELEASE REVISION | 06/06/2018 | Roger Tsai |
| | PCN_20200908 | CHANGE D/C POSITION | 09/08/2020 | Roger Tsai |

FOR REFERENCE ONLY



| PACKAGING BY REEL | 4.90 | 1.97 | 1,000 | 5 | 5,000 | GTFH081X1YHR |
|-------------------|--------|--------|-----------|------------|----------------|--------------|
| | G/W KG | N/W KG | PCS/ REEL | REELS/ BOX | QUANTITY (PCS) | PART NUMBER |

| TOLERANCE | APPROVALS | DATE | TITLE | | Amphenol® | |
|----------------------------|---------------------|--------------------|---|--|---|----------------------|
| X. ±0.30 | DRAWN Karen Su | 09/08/2020 | MICRO-SD SOCKET HINGE TYPE RIGHT ANGLE SMT, H=1.80mm | | Amphenol Corporation Amphenol Taiwan Corporation | |
| X.X ±0.20 | CHECKED Aqua Chou | 09/08/2020 | | | | |
| X.XX ±0.10 | APPROVED Roger Tsai | 09/08/2020 |  UNIT mm SCALE NA | | PART No. GTFH081X1YHR | |
| ANGULAR ±1° | DWG TYPE CUST DWG | PROJECT CODE OTHER | | | SHEET 2 OF 2 | DWG No. GTFH081X1YHR |
| UNLESS OTHERWISE SPECIFIED | | | | | | |