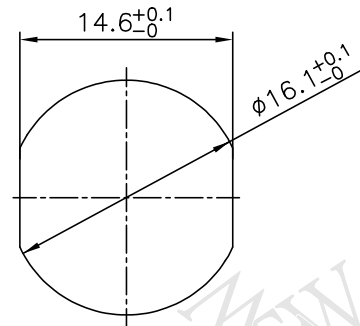
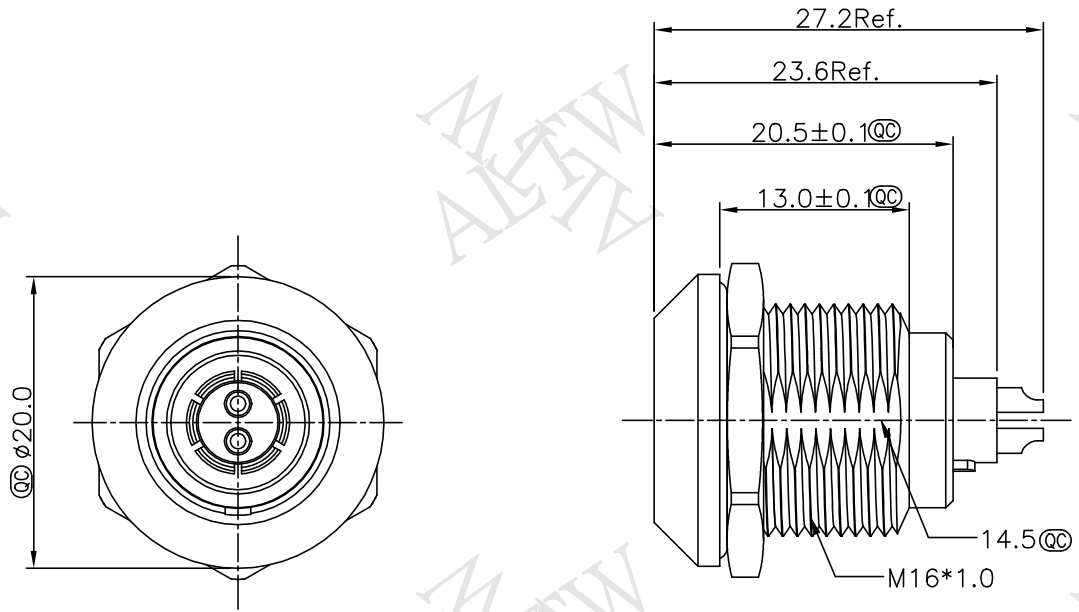
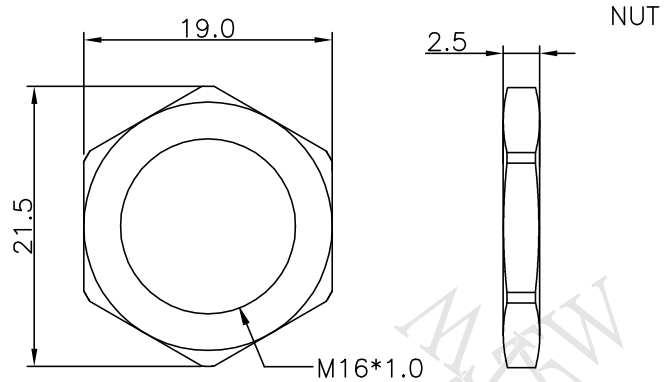


REV.	DESCRIPTION
B	Change Number
C	Change PIN Number



Conn.  
Pin Assignments  
Front View



NUT

- Notes:
- \* @@Important Dimensions To Check.
  - \* Waterproof Rate: IP68(Mated)
  - \* Female Pin: Copper Alloy, Gold Plated.
  - \* Use Panel Thickness Max: 10.0mm

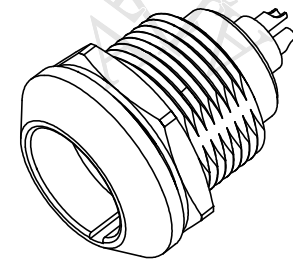
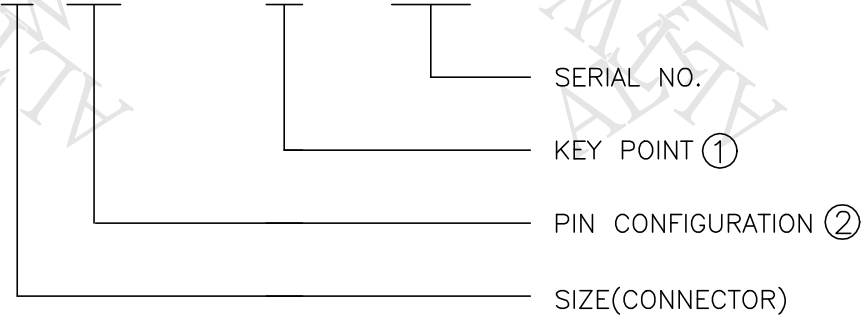


UNIT:mm TOLERANCE ±0.5MM	TITLE FLO 1K PANEL CONNECTOR		<b>Amphenol LTW</b> 安費諾亮泰企業股份有限公司	ITEM NO	DRAWN BY Ouyang	DATE 2019/04/26
	SCALE Free	SHEET 1 OF 2		DWG NO FLKC-XXEGFS-XCP-XXX	CHECKED BY Mafei	DATE 2019/04/26
	REV. C	SIZE A4		CUSTOMER ALTW	APPROVED BY Jerry	DATE 2019/04/26

THIS DOCUMENT IS SUBJECT TO CHANGE WITHOUT NOTICE. IT IS CONFIDENTIAL AND A PROPERTY OF Amphenol LTW. DISCLOSURE TO THIRD PARTY HAS TO BE AUTHORIZED BY Amphenol LTW.

THIS DOCUMENT IS SUBJECT TO CHANGE WITHOUT NOTICE. IT IS CONFIDENTIAL AND A PROPERTY OF Amphenol LTW. DISCLOSURE TO THIRD PARTY HAS TO BE AUTHORIZED BY Amphenol LTW.

FLKC-XXEGFS-XCP-XXX



KEY POINT ①

CODE	G	A	B	C	D
GRAPHIC	0°	30°	45°	60°	95°

PIN CONFIGURATION (Solder Definition) ②

GRAPHIC	2 PIN	3 PIN	4 PIN	5 PIN	6 PIN	7 PIN	8 PIN	10 PIN	14 PIN	16 PIN

UNIT:mm TOLERANCE ±0.5MM	TITLE FLO 1K PANEL CONNECTOR		<b>Amphenol LTW</b> 安費諾亮泰企業股份有限公司	ITEM NO B	DRAWN BY Ouyang	DATE 2019/04/26
	SCALE Free	SHEET 2 OF 2		DWG NO FLKC-XXEGFS-XCP-XXX	CHECKED BY Mafei	DATE 2019/04/26
	REV. C	SIZE A4		CUSTOMER ALTW	APPROVED BY Jerry	DATE 2019/04/26