

1

2

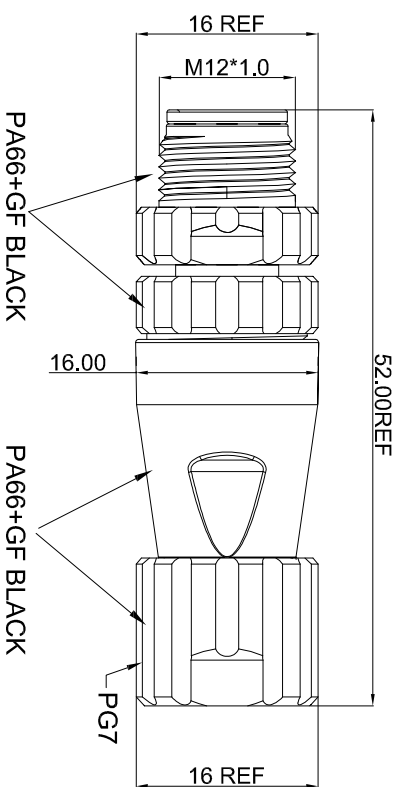
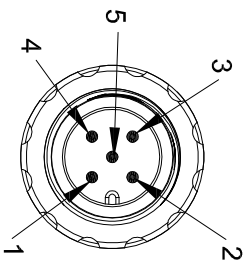
3

4

5

6

7



Electrical Character

Part Number	Contacts	Rated Voltage		Rated Current	Cable OD (mm)
		A/C	D/C		
A-M12-03-MGPA-GHB1		250V	250V	4A	4~6
A-M12-04-MGPA-GHB1		250V	250V	4A	4~6
A-M12-05-MGPA-GHB1		60V	60V	4A	4~6
A-M12-08-MGPA-GHB1		30V	30V	2A	4~6

- ②Notes:
1. Waterproof connector rating is IP67/IP68
 2. Contact PIN: Brass with 1u" Gold plating
 3. Coupling nut/screw: PA66+GF Black UL94V-0
 4. Insulation plastic: PA66+GF Black UL94V-0
 5. Insulation resistance: > 100MΩ
 6. Contact resistance of connector: ≤10mΩ
 7. Mating Cycle: 100 times Min, 500 times Max.
 8. Operating temperature: -20°C ~ +85°C
 - ① 9. Unshielded

RoHS compliant

Unit: mm

Scale	Free	TOLERANCE		DIM		X.°		Angle
.X	±0.5	.XX	±0.20	TOL	±2.0°	X.°	±1.0°	TOL
		② Remove "resistance many oils and chemical" from notes		① Update the notes		① Drawn		Id.
		06.09.2019		27.04.2019		10.07.2018		Modification
		Amy		Segal		Segal		Date
		Approved		06.09.2019		Amy		Name



Customer-No.	ASSMANN WSW-No.	A-M12-xx-MGPA-GHB1
Drawing-No.	ASS 8040 CO	rev02
Replace		Sheet

1

2

3

4

5

6

7

SV4471