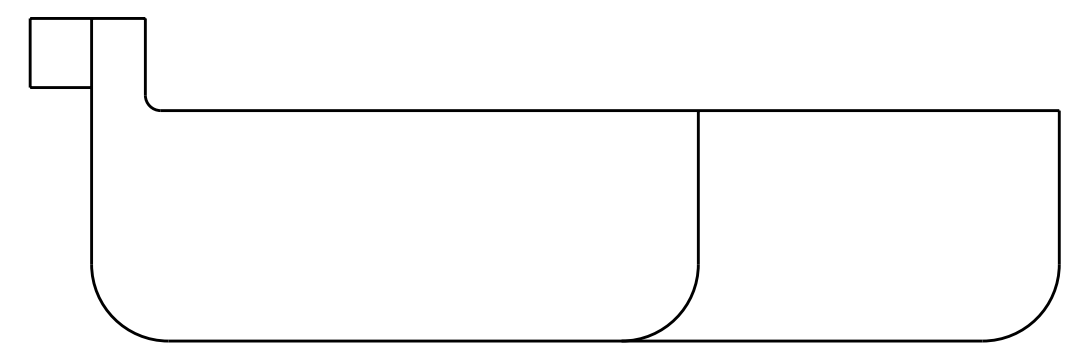
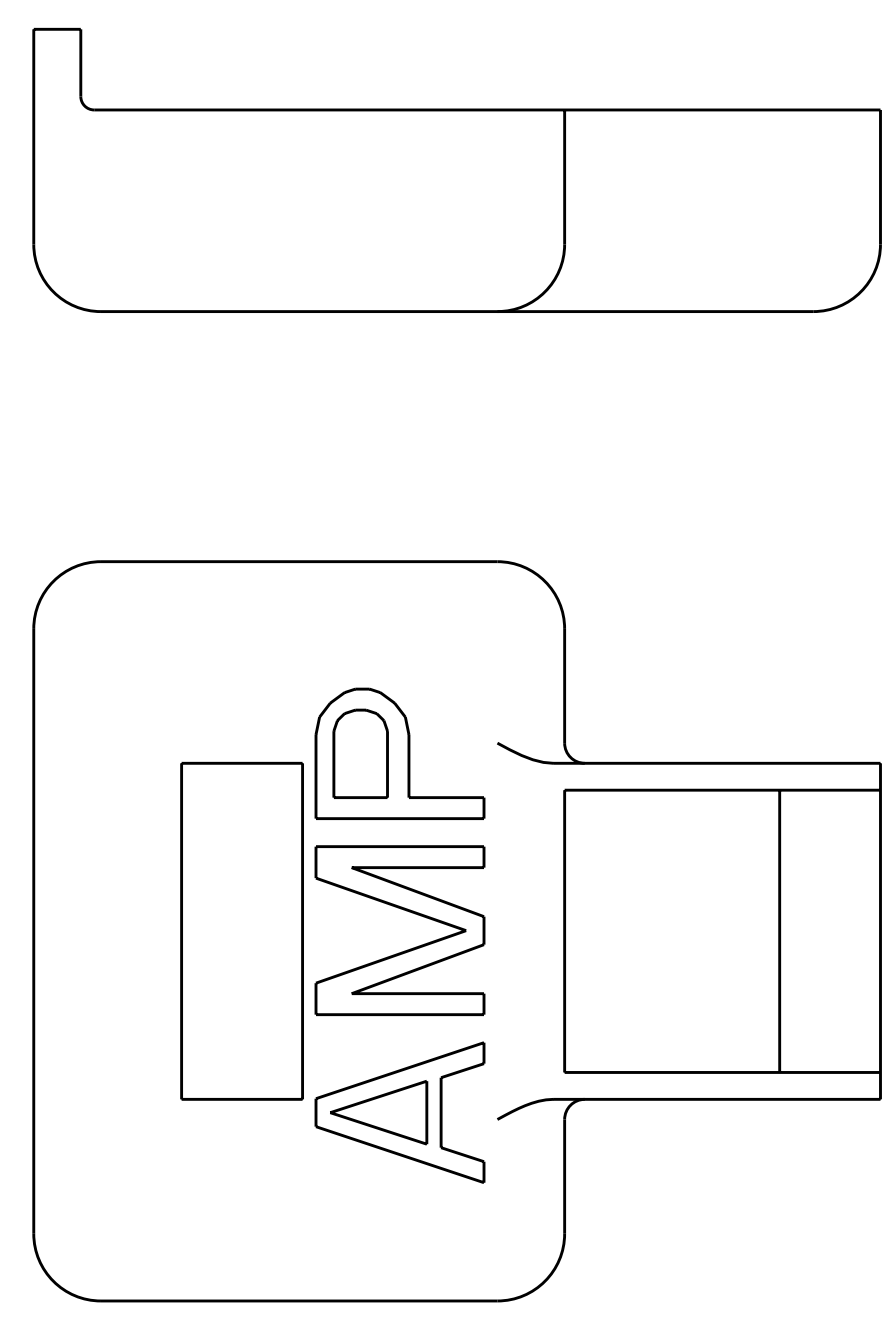
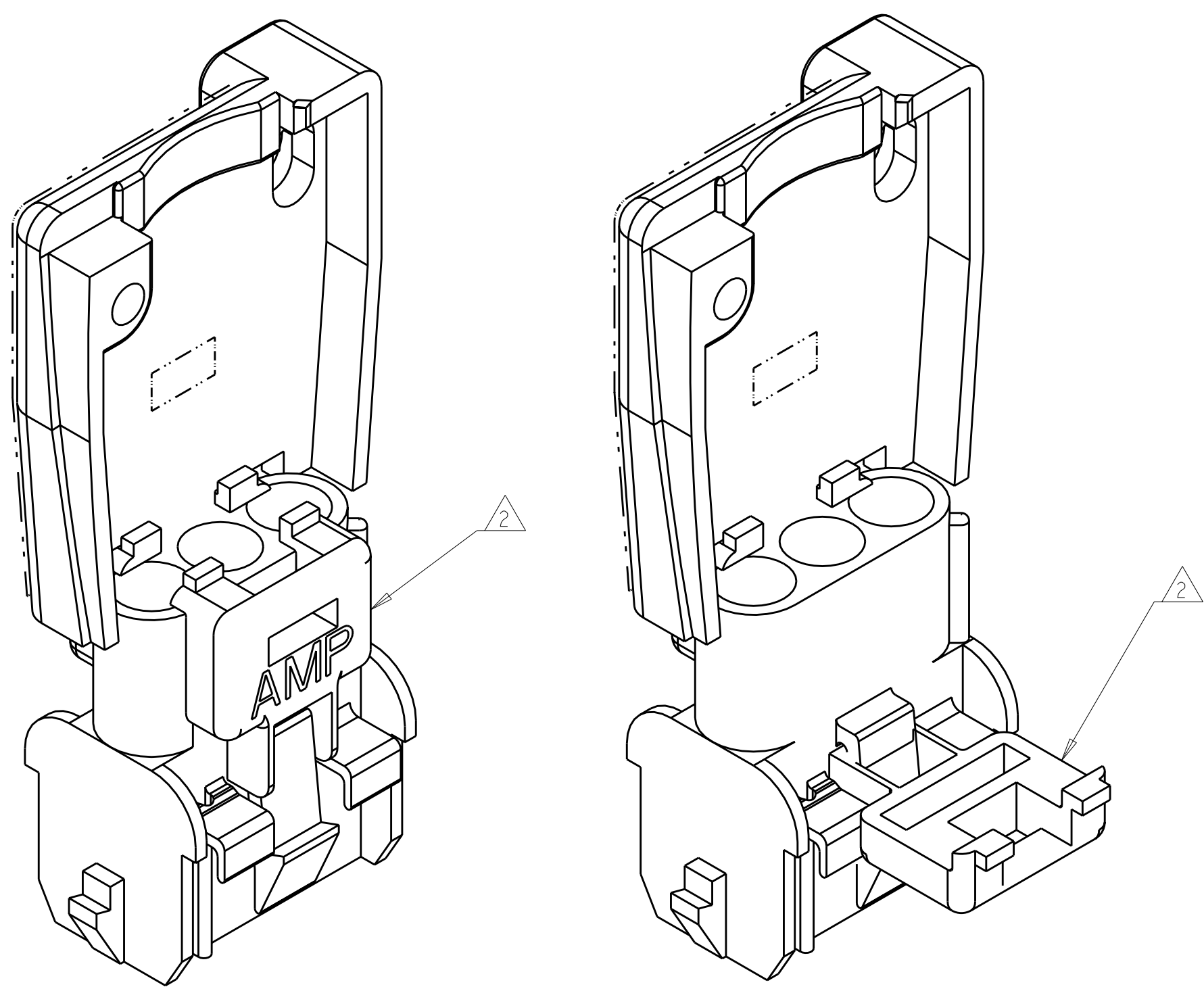
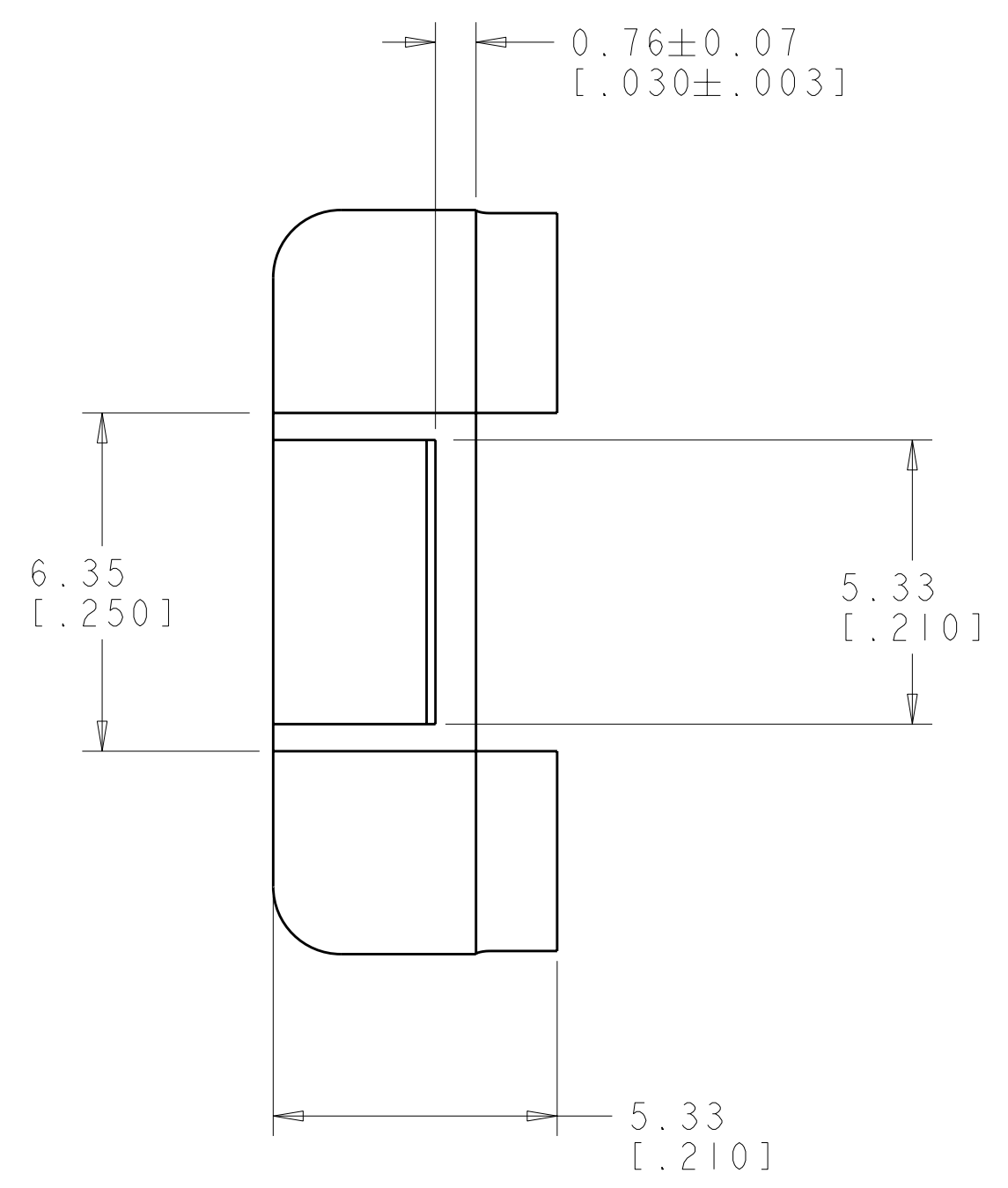
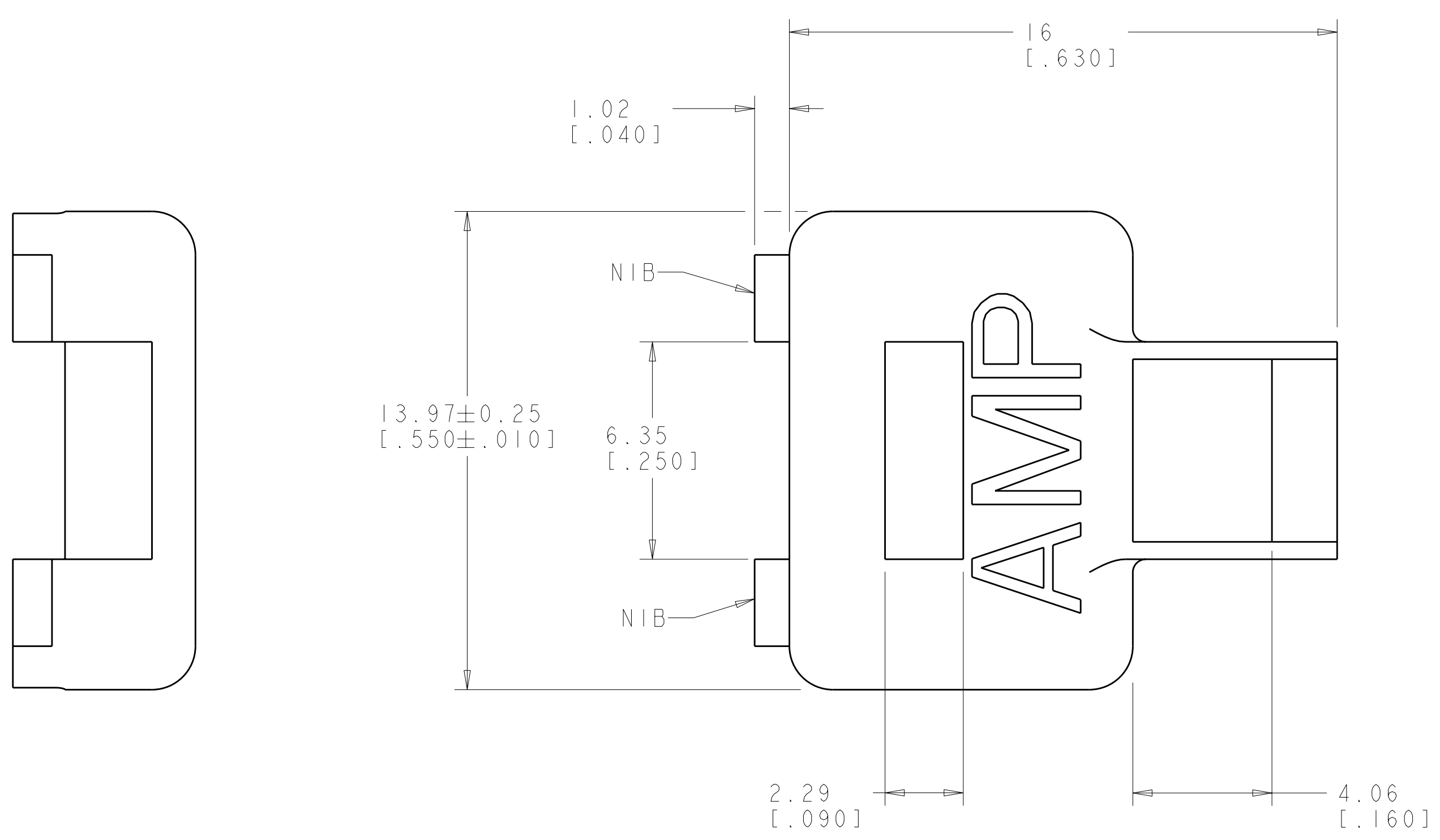


| LOC | DIST | REVISIONS | | | |
|-----|------|-----------|-----------|----|------|
| CM | 00 | REV | DATE | BY | APPD |
| | | F2 | 16MAR2007 | KW | DC |
| | | | | | |
| | | | | | |



- FOR USE WITH 3, 4, 9, 12, AND 15 CIRCUIT CAP HOUSINGS AND APPROPRIATE STRAIN RELIEF (ENCLOSED VERSION).
- ADAPTER ATTACHES TO CAP HOUSING AS SHOWN PROVIDING FEATURE TO ATTACH STRAIN RELIEF.
- MATERIAL: NYLON UL94V-2.



ALTERNATE STYLE
641777-2

| VOLUME IN ³ | COLOR | USAGE | STYLE | PART NO. |
|------------------------|---------|---------------------|--------------------------|----------|
| 0.0239 | BLACK | FOR STRAIN RELIEF | AS SHOWN (WITH NIBS) | 641777-9 |
| 0.0239 | GRAY | FOR STRAIN RELIEF | AS SHOWN (WITH NIBS) | 641777-8 |
| 0.0236 | NATURAL | FOR STRAIN RELIEF | ALTERNATE (WITHOUT NIBS) | 641777-2 |
| 0.0239 | NATURAL | FOR ASSEMBLY MODULE | AS SHOWN (WITH NIBS) | 641777-1 |

| | | | | | |
|---|--|--|--|--|--|
| DIMENSIONS: mm [INCHES] TOLERANCES UNLESS OTHERWISE SPECIFIED: 9 PLC ± 1 PLC ± 5 PLC ±0.13(.005) 4 PLC ± ANGLES ±40°30' FINISH - MATERIAL - FINISH - | | DWN R. WHITAKER 16MAR2007 CHK D. COLEY 16MAR2007 APVD D. COLEY 16MAR2007 PRODUCT SPEC APPLICATION SPEC WEIGHT - CUSTOMER DRAWING | | Tyco Electronics Harrisburg, PA 17105-3608 NAME ADAPTER, STRAIN RELIEF, UNIVERSAL MATE-N-LOK(TM) (FOR CAP HOUSING) SIZE CAGE CODE DRAWING NO. RESTRICTED TO A1100779C=641777 SCALE 8:1 SHEET 1 OF 1 REV F2 | |
|---|--|--|--|--|--|

