

THIS IS A C.A.D. GENERATED DRAWING  
DO NOT MAKE MANUAL REVISIONS TO MASTER.

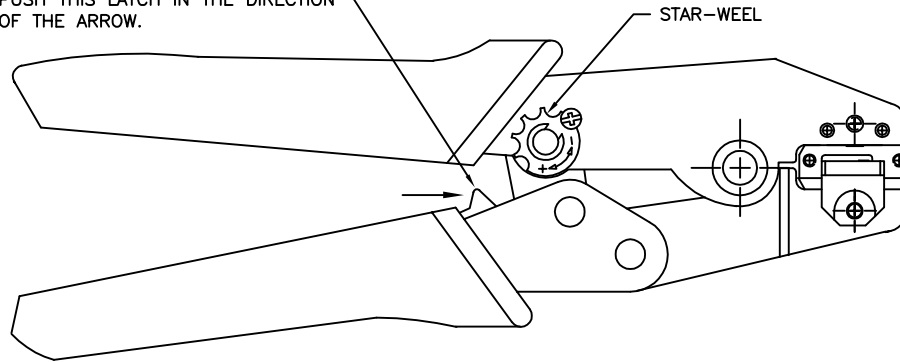


ISSUE NUMBER

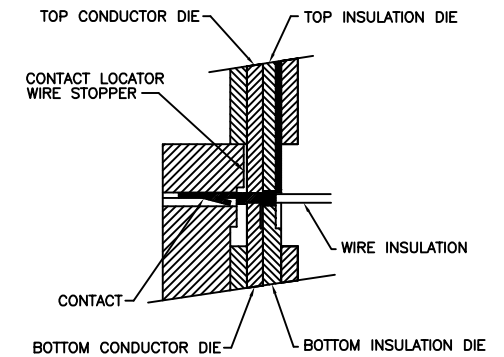
ORIGINAL ①

UPDATE CONTACT PN  
UPDATE PN TABLE  
J.L. NOV.22/2022 ②

TO OPEN PARTIALLY CLOSED TOOL  
PUSH THIS LATCH IN THE DIRECTION  
OF THE ARROW.



STAR-WHEEL



SECTION THROUGH DIE NEST  
WITH CONTACT IN POSITION

NOTES:

- 1- THIS HAND TOOL IS DESIGNED FOR CRIMPING 22 TO 28 AWG WIRES TO EDAC CONTACT P/N 566-290-711/721.
- 2- RISK OF ELECTRIC SHOCK- DO NOT USE THIS ON LIVE WIRE.
- 3- CRIMPING INSTRUCTIONS:
  - OPEN THE TOOL, PLACE THE CONTACT INTO THE CORRECT DIE NEST.
  - PARTIALLY CLOSE THE TOOL UNTIL THE CONTACT IS HELD IN PLACE. INSERT THE WIRE INTO THE CONTACT.
  - CLOSE THE TOOL UNTIL THE RATCHET RELEASES. REMOVE THE CRIMPED CONTACT.
- 4- ADJUSTMENT OF CRIMP FORCE (WHEN NECESSARY):
  - LOOSEN THE SCREW
  - ADJUST THE STAR-WHEEL BY TURNING FROM (-) TO(+).
  - CHECK THE PRELOAD AND THE CRIMP FORCE.

WIRE AWG	CRIMP STRENGTH
22 AWG	11.0 LBS
24 AWG	6.6 LBS
26 AWG	4.4 LBS
28 AWG	2.2 LBS

TOOL PART NUMBER: 566-280-201

566 SERIES HAND CRIMP TOOL INSTRUCTIONS		ACAD REFERENCE NO. 566-280-201	
		DRAWN: K.L.	DATE: AUG.26/2020
EDAC INC TORONTO, ONTARIO CANADA YOUR CONNECTION TO QUALITY & SERVICE		CHECKED: R.S.M.	DATE:
		SCALE: N.T.S.	SHEET 1 OF 2
THESE DRAWINGS AND SPECIFICATIONS ARE THE PROPERTY OF EDAC INC., AND SHALL NOT BE REPRODUCED, OR COPIED OR USED AS THE BASIS FOR THE MANUFACTURE OR SALE OF APPARATUS WITHOUT WRITTEN PERMISSION.		DRAWING NUMBER	
		566-280-201	
		ISSUE	
		2	

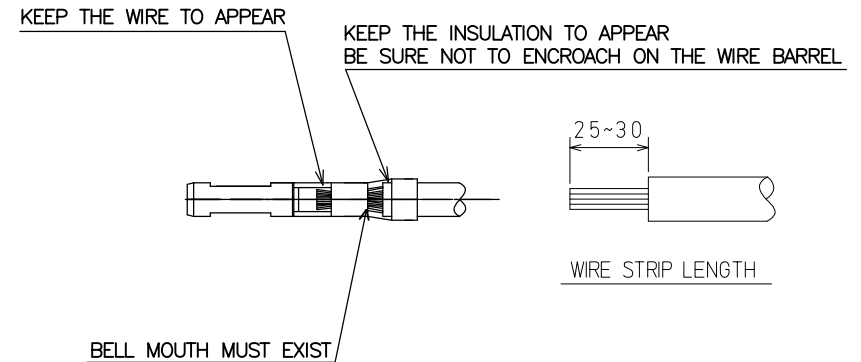
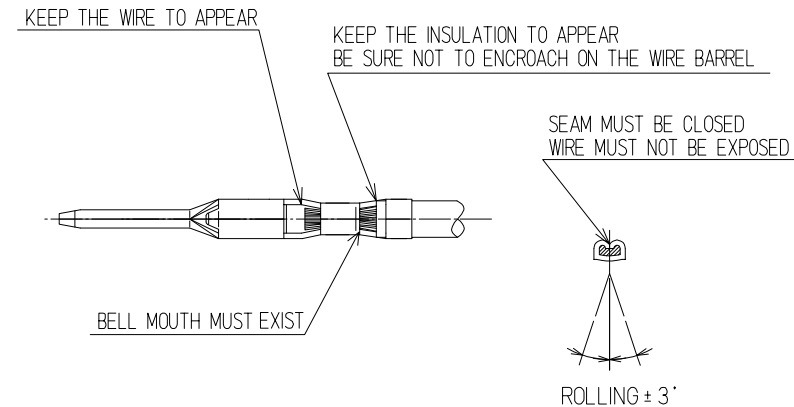
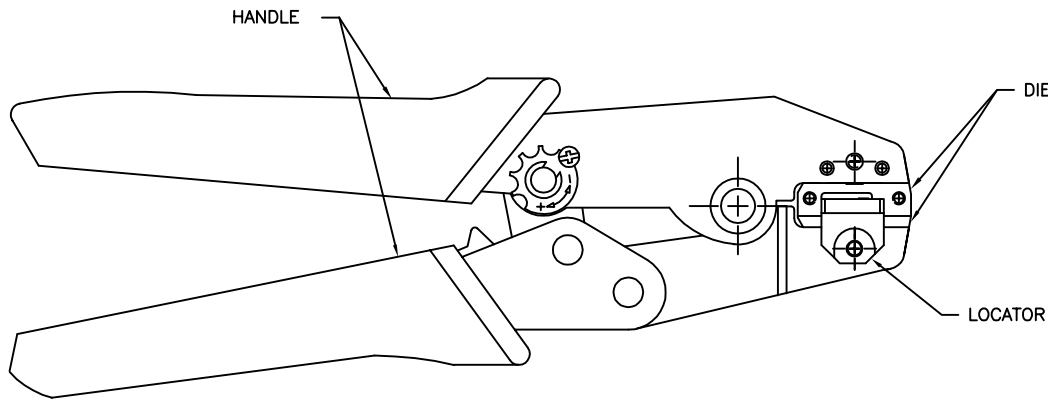
THIS IS A C.A.D. GENERATED DRAWING  
DO NOT MAKE MANUAL REVISIONS TO MASTER.



ISSUE NUMBER

ORIGINAL

①



CRIMP ASM*	HAND TOOL	LOCATOR KIT SET
566-280-201	565-281-201	566-282-001

\* Assembly includes: Handle, Die and Locator. Parts are available for purchase separately.

## 566 SERIES HAND CRIMP TOOL INSTRUCTIONS

**EDAC** EDAC INC  
TORONTO, ONTARIO  
CANADA  
YOUR CONNECTION TO QUALITY & SERVICE

THESE DRAWINGS AND SPECIFICATIONS ARE THE PROPERTY OF EDAC INC., AND SHALL NOT BE REPRODUCED, OR COPIED OR USED AS THE BASIS FOR THE MANUFACTURE OR SALE OF APPARATUS WITHOUT WRITTEN PERMISSION.

ACAD REFERENCE NO. 566-280-201

DRAWN: K.L.

DATE: AUG.26/2020

CHECKED: R.S.M.

DATE:

SCALE: N.T.S.

SHEET 2 OF 2

DRAWING NUMBER

566-280-201

ISSUE

2