

PRB-GLB | Profile for GLB side guides

Stainless steel



- 1
- 2
- 3
- 4
- 5
- 6
- 7
- 8
- 9
- 10
- 11
- 12
- 13
- 14
- 15
- RH

MATERIAL

AISI 304 stainless steel

FEATURES AND APPLICATIONS

PRB-GLB profile is used for the assembly of GLB-1 and GLB-2 side guides (Fig.1).

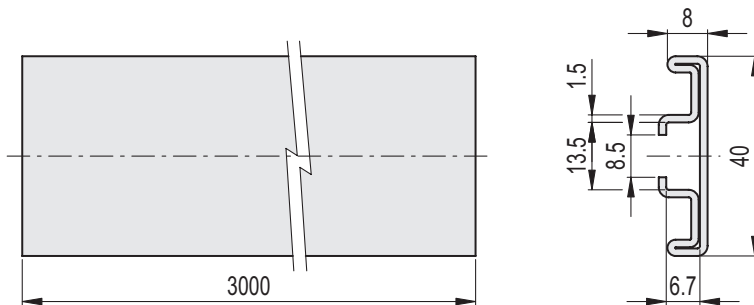
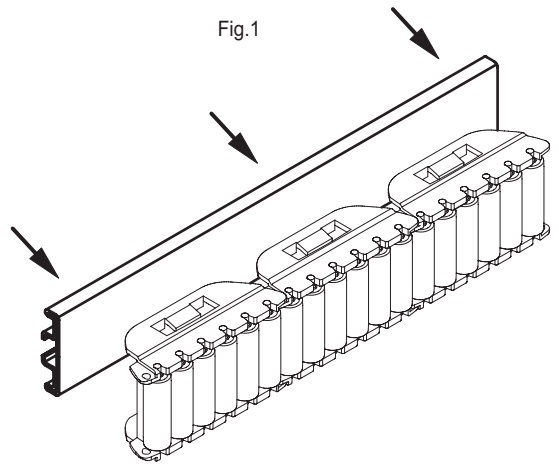
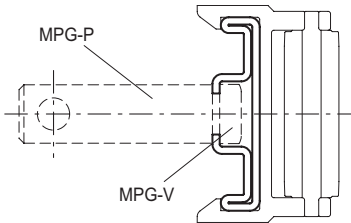
Supplied in bars of 3 meters length.

ACCESSORIES ON REQUEST

BDG: zinc-plated steel connecting bar for guides.

ACCESSORIES ON REQUEST

- MPG-P: assembly pin.
- MPG-V: zinc-plated steel hammer head screw. (see GLA-1).



Code	Description	⚖
419183	PRB-GLB-40-3000	3640

Levelling elements and supports