

Würth Elektronik eiSos GmbH & Co. KG

EMC & Inductive Solutions

Max-Eyth-Straße 1 · 74638 Waldenburg · Germany

Tel. +49 (0) 79 42 945-0 · Fax +49 (0) 79 42 945-400

eiSos@we-online.de · www.we-online.de



Product / Process Change Notification (PCN)

- Major change
 Minor change

PCN #: PCN_AbsDSubFilter_20200623

Affected Series: WE-D-SUB Filter; 23xxx

PCN Date: March 23, 2020

Effective Date: June 23, 2020

Change Category:

- Equipment / Location
 General Data
 Material
 Process
 Product Design
 Shipping / Packaging
 Supplier
 Software

Contact: Product Management

Phone: +49 (0) 7942 - 945 5001

Fax: +49 (0) 7942 - 945 5179

E-Mail: pcn.eisos@we-online.com

Data Sheet Change:

- Yes No

Attachment:

- Yes No

DESCRIPTION AND PURPOSE OF CHANGE:

In order to enhance the product reliability, Würth Elektronik will change the screw base material from steel to brass, while the plating stays nickel.

All products with date code 2020-06-23 or later, will be affected by this change.

There will be no change in form, fit, function, quality and reliability of the product.

DETAIL OF CHANGE:

Before change



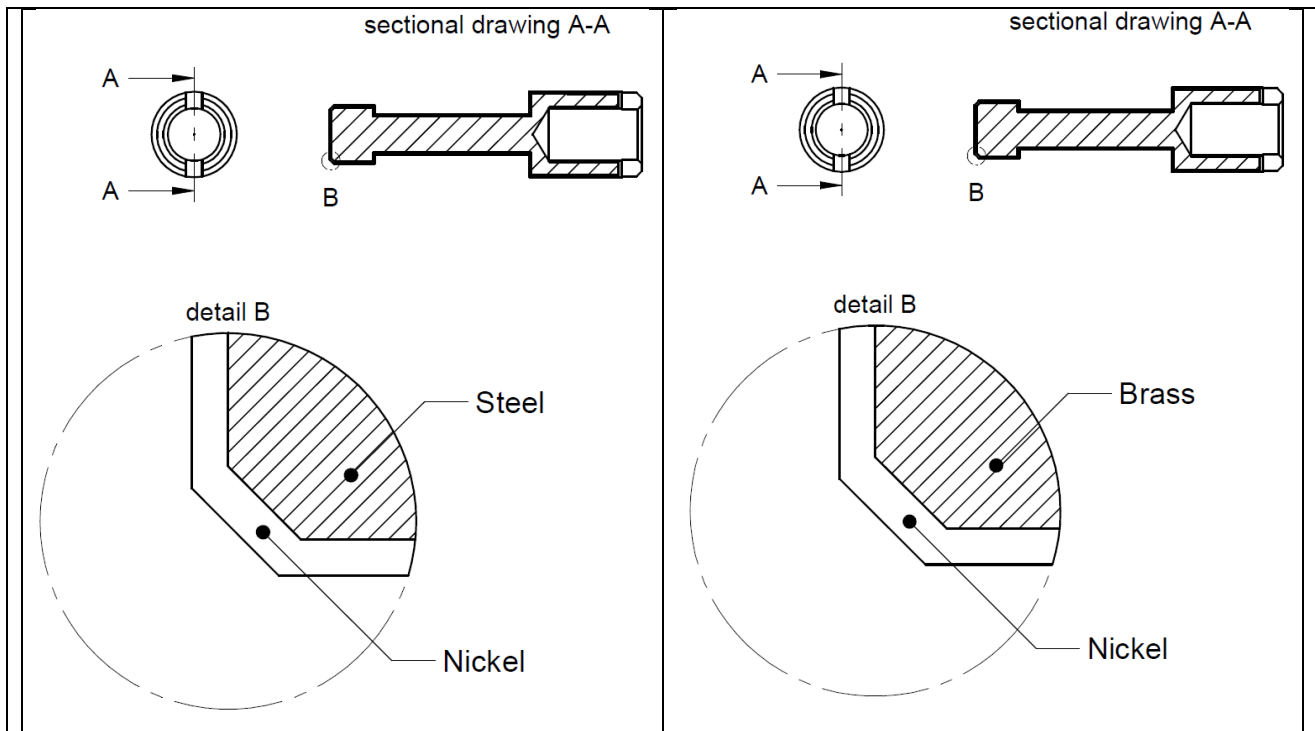
Würth Elektronik eiSos GmbH & Co. KG

EMC & Inductive Solutions

Max-Eyth-Straße 1 · 74638 Waldenburg · Germany

Tel. +49 (0) 79 42 945-0 · Fax +49 (0) 79 42 945-400

eiSos@we-online.de · www.we-online.de



Affected part numbers:

230016003	232016003	234016003
236016003	230017003	232017003
234017003	236017003	2340160033

RELIABILITY / QUALIFICATION SUMMARY:

The parameters are according to data sheet specification and released by the product management department.

Tests performed:

- Steam aging test with visual examination