

ITEM	PART#	DESCRIPTION	QTY	UOM
A	9508040	KK 156 Crimp Housing 04 Ckt	1	PC
B	8500105	KK 156 TERMINAL CRIMP 18-24 AWG TIN	4	PC
C		PAPER PRINTED PAPER WHITE	1	PC

FROM	TO	DESCRIPTION	COLOR
A1	--	1X18AWG MPPE BK UL11028	BLACK
A2	--	1X18AWG MPPE BK UL11028	BLACK
A3	--	1X18AWG MPPE BK UL11028	BLACK
A4	--	1X18AWG MPPE BK UL11028	BLACK

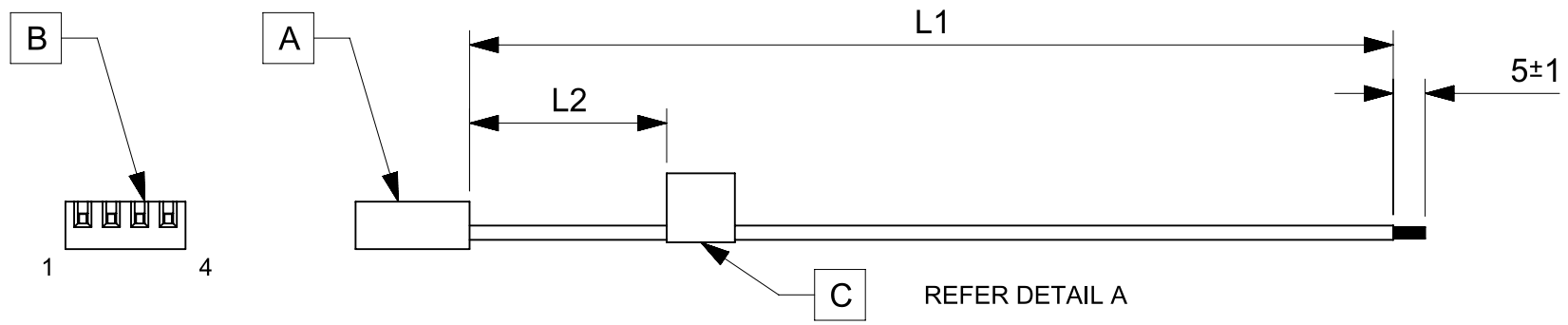


TABLE			
PART NUMBER	L1	L2 (REF)	TITLE
2196651042	150±4	50	KK 3.96 R-S 4ckt 150mm disc Sn
2196651043	300±4	50	KK 3.96 R-S 4ckt 300mm disc Sn
2196651044	600±6	50	KK 3.96 R-S 4ckt 600mm disc Sn

**NOTES**

- Connector view shown is from mating side.
- Label text must be 2mm max. in height with Arial font.
- Label must be wrapped in Flag type on a single cable.
- Free ends must be stripped, twisted & tinned. The length of tinning is 5±1mm. Tinning Dia must be 1.6 mm Max.

MOLEX P/N  
 MOLEX  
 BATCH WK/YR  
 DETAIL A

REVISION			
DATE	REV	DESCRIPTION	CHANGER
2021/12/27	A	INITIAL RELEASE	SAIKIG

FUNCTIONAL SYMBOLS $\frac{F}{A} = 0$ $\frac{F}{E} = 0$ $\frac{F}{P} = 0$ DIVISIONAL SYMBOLS	THIS DRAWING CONTAINS INFORMATION THAT IS PROPRIETARY TO MOLEX ELECTRONIC TECHNOLOGIES, LLC AND SHOULD NOT BE USED WITHOUT WRITTEN PERMISSION		CURRENT REV DESC:		  SEE TABLE
	DIMENSION UNITS	SCALE	EC NO: 691733		
	mm	NTS	DRWN: SAIKIG 2021/12/29		
	GENERAL TOLERANCES (UNLESS SPECIFIED)		CHK'D: MNARAYAN01 2022/01/19		
ANGULAR TOL ± °		APPR: MNARAYAN01 2022/01/19		PRODUCT CUSTOMER DRAWING	
4 PLACES ±		INITIAL REVISION:		DOCUMENT NUMBER	DOC TYPE
3 PLACES ±		DRWN: SAIKIG 2021/12/29		2196651042	PSD
2 PLACES ±		APPR: MNARAYAN01 2022/01/19		000	REVISION
1 PLACE ±		APPR: MNARAYAN01 2022/01/19		A	
0 PLACES ±		DRAFT WHERE APPLICABLE MUST REMAIN WITHIN DIMENSIONS		MATERIAL NUMBER	CUSTOMER
		THIRD ANGLE PROJECTION	DRAWING	SERIES	SHEET NUMBER
			A4-SIZE	219665	1 OF 1