

THIS DRAWING IS UNPUBLISHED. RELEASED FOR PUBLICATION 20
 © COPYRIGHT 20 ALL RIGHTS RESERVED.

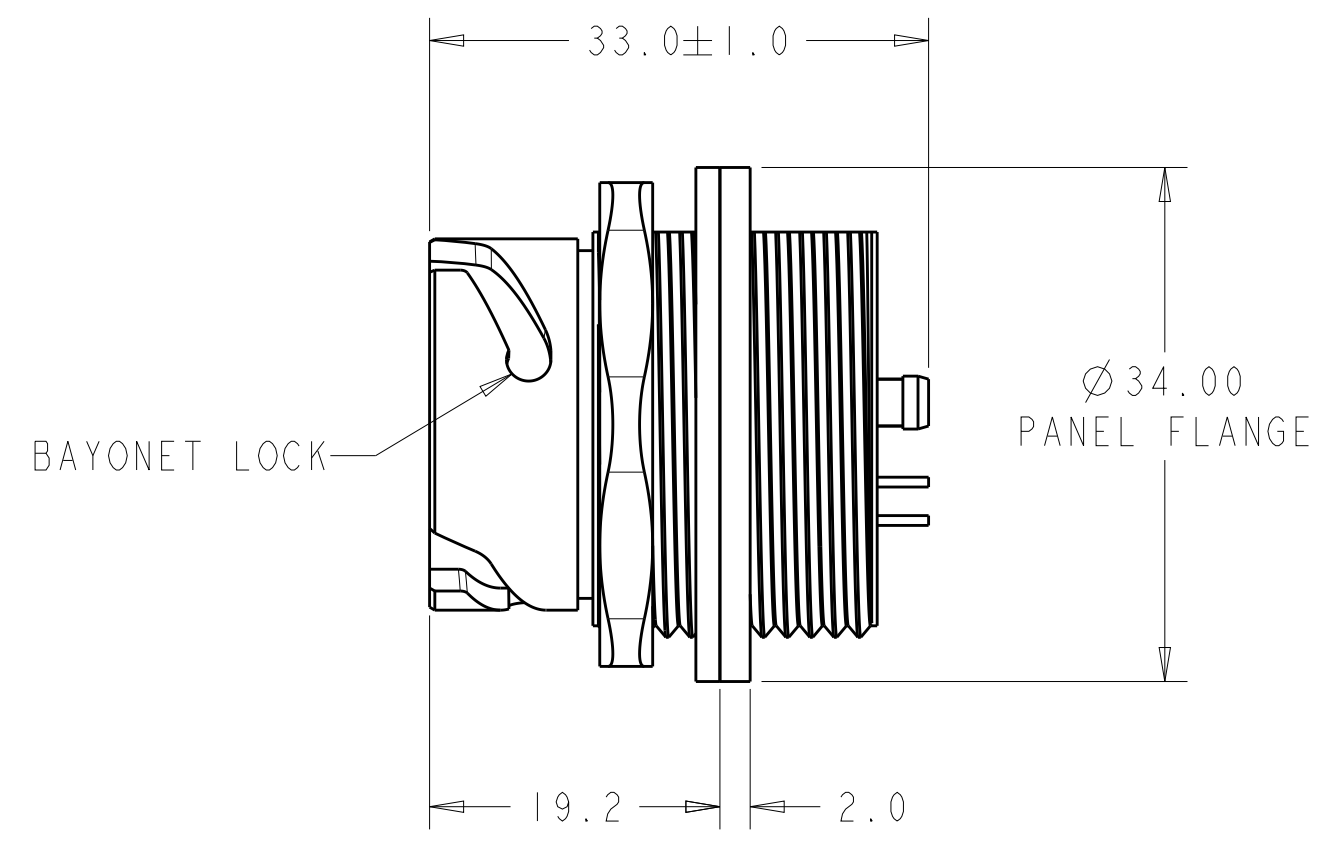
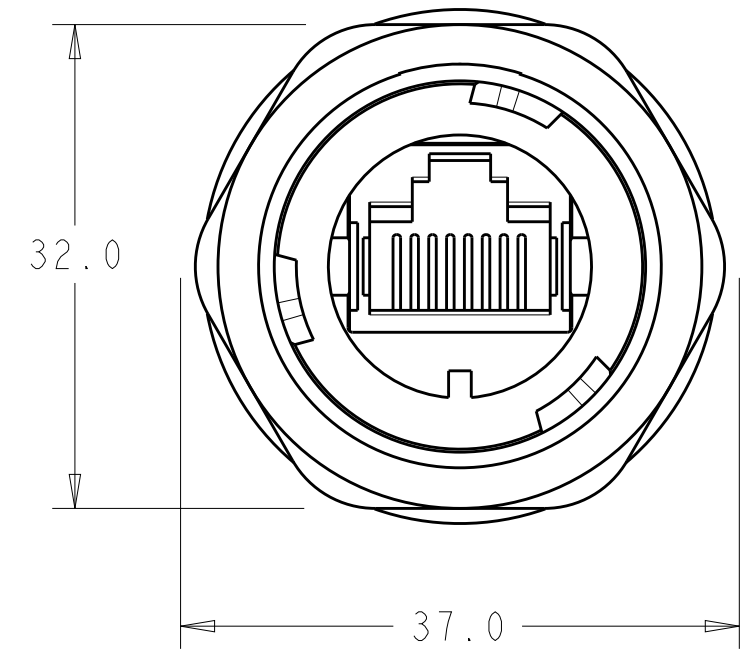
LOC		DIST		REVISIONS			
P	LTR	DESCRIPTION	DATE	DWN	APVD		
A5		REVISED PER ECO-11-025163	16DEC2011	KH	MS		
A6		ADDED PIN NUMBER ASSIGNED	01FEB2019	SR	KMA		

RJ45 MODULAR JACK, PCB, 8 POSITION HOUSING:
 POLYESTER PBT CONTACTS: PHOSPHOR BRONZE,
 GOLD OVER NICKEL

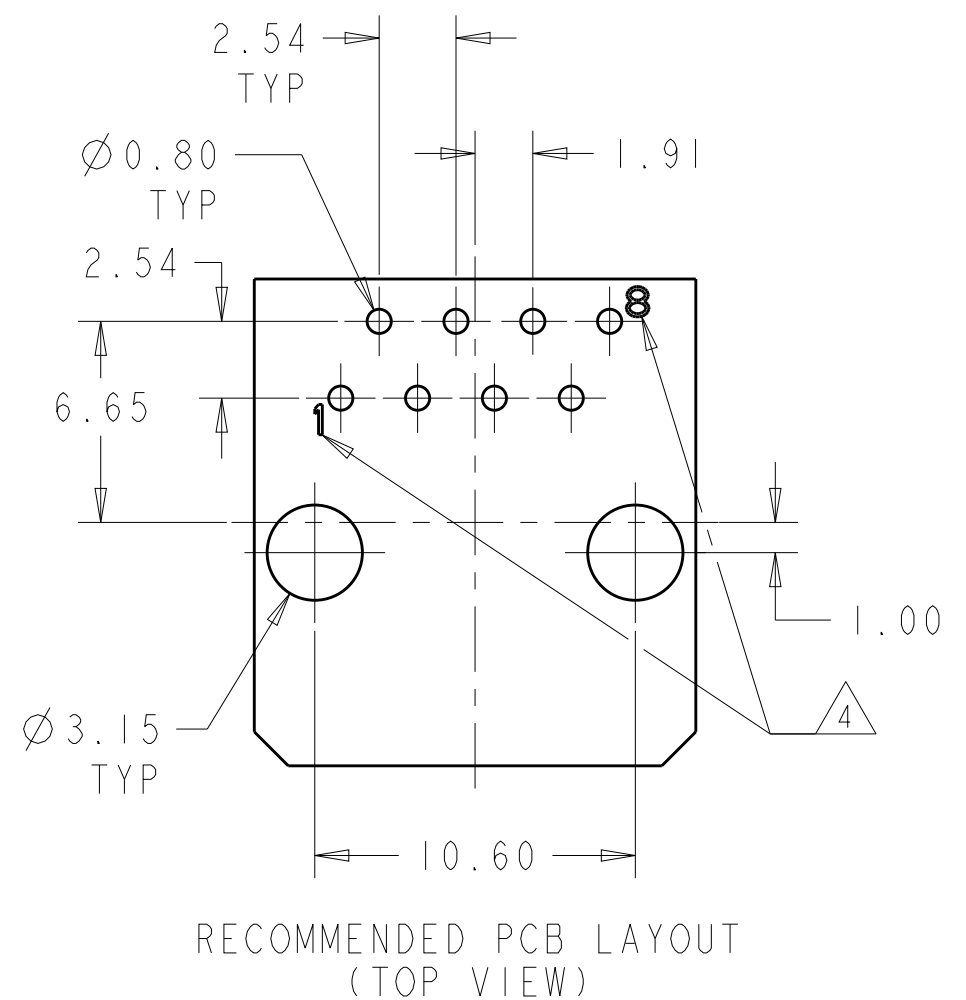
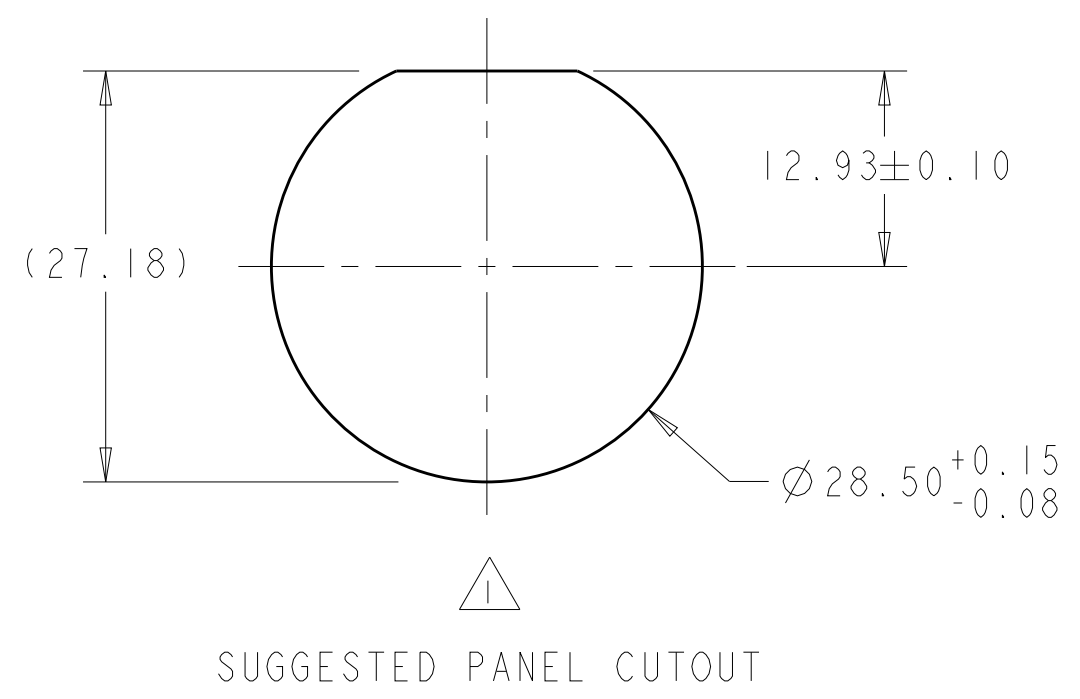
RECEPTACLE HOUSING
 POLYESTER, COLOR: BLACK

PANEL GASKET
 ELASTOMER, COLOR: ORANGE

PANEL NUT
 BRASS, NICKEL PLATED



- 1 CONNCTOR MAY BE FRONT OR REAR MOUNTED TO A MAXIMUM PANEL THICKNESS OF 3.2 mm.
- 2. PANEL NUT AND PANEL GASKET ARE PACKAGED ASSEMBLED IN POLYBAG.
- 3. PCB THICKNESS 1.6mm.
- 4 PIN NUMBER ASSIGNED.



1776900-1
 PART NUMBER

THIS DRAWING IS A CONTROLLED DOCUMENT.		DWN S. WELDON 27SEP2006	TE Connectivity	
DIMENSIONS: mm		CHK D. COURS 27SEP2006		
TOLERANCES UNLESS OTHERWISE SPECIFIED:		APVD D. COURS 27SEP2006	NAME	
0 PLC ±0.3		PRODUCT SPEC	RECEPTACLE KIT, RJ45 PCB MODULAR JACK, ODVA INDUSTRIAL ETHERNET	
1 PLC ±0.2		APPLICATION SPEC	SIZE CAGE CODE DRAWING NO RESTRICTED TO	
2 PLC ±0.10		108-2198	A2100779 C-1776900	
3 PLC ±		114-13136	SCALE 2:1 SHEET 1 OF 1 REV A6	
4 PLC ±		WEIGHT -		
ANGLES ±1°		CUSTOMER DRAWING		
FINISH				