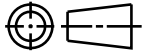
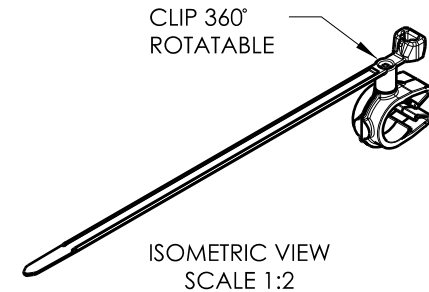
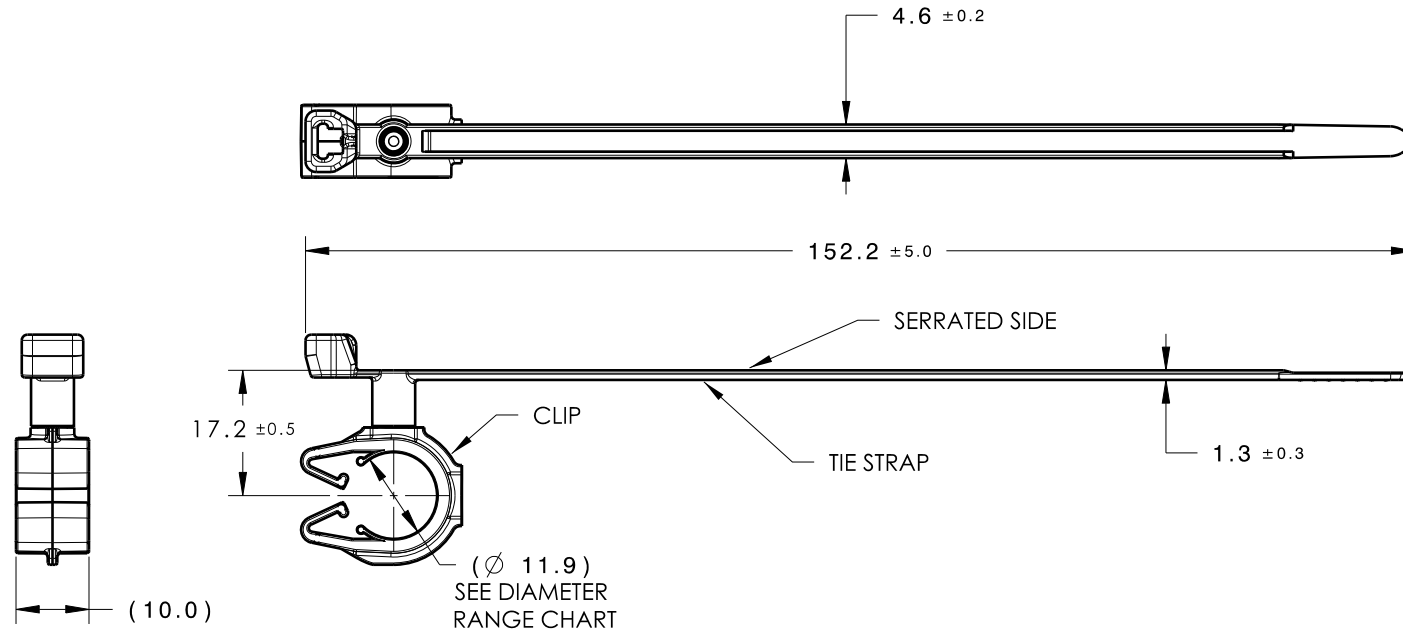


CATIA V5



Revision Level			Revision Record	Changed	Date	Approved	Date
Drawing	State	Part					
01.1	Design Release	-	SEE ECN# 015131	JMC	05/09/19	EJH	05/09/19



TYPE	SUGGESTED DIAMETER RANGE*
HARNESS	11.5MM - 13.0MM
HOSE	10.5MM - 13.0MM
HARD PIPE/TUBE	12.0MM - 13.8MM

*RECOMMENDED SIZES MAY DIFFER DEPENDING ON THE APPLICATION, PRODUCT REQUIREMENTS AND MATERIALS USED

**PATENT PENDING 29/582,271

GLOBAL PART DESCRIPTION		BUNDLE RANGE	CABLE TIE			CLIP**		
			DRAWING $\Delta_{01.1}$	MATERIAL $\Delta_{01.1}$	COLOR	DRAWING	MATERIAL $\Delta_{01.1}$	COLOR
T50SVC MOC12M-PA66HIRHSUV-BK		2 TO 50	14-0606-011-CSU	PA66HIRHSUV	BLACK	16-0319-000-CSU	PA66HIRHSUV	BLACK
Material SEE CHART COLOR: SEE CHART	Units millimeters	Drawn	TAT	6/22/17	Article/Type-No SEE CHART			Scale 1:1
	Tolerance defined on each dimension	Approved	EJH	6/26/17	Title T50SVC TIE STRAP COUPLED TO 12MM MODULAR OMEGA CLIP			Project Number 16-0319
		<p>The copyright of this drawing is reserved by HellermannTyton. It is issued on condition that it is not reproduced, copied or disclosed to a third party, either wholly or in part, without the consent of HellermannTyton.</p> <p>HellermannTyton</p> <p>North America Email: corp@htamericas.com Web: www.hellermann.tyton.com</p>		Drawing-No PRODUCTION : Phase			Format AH	
	16-0319-202-CSU			Sheet 1/1				