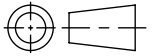
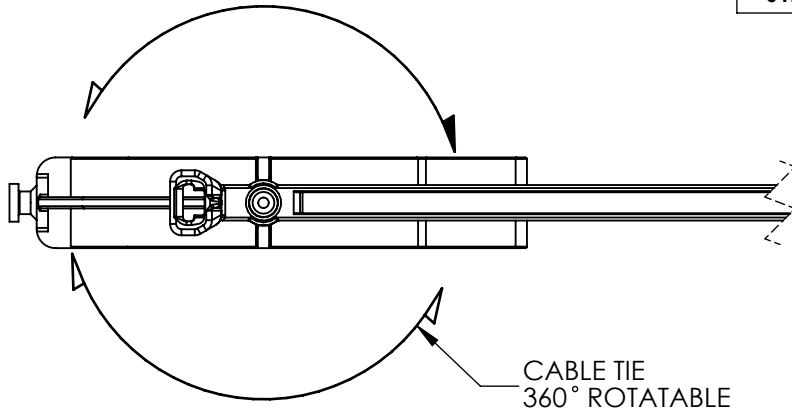


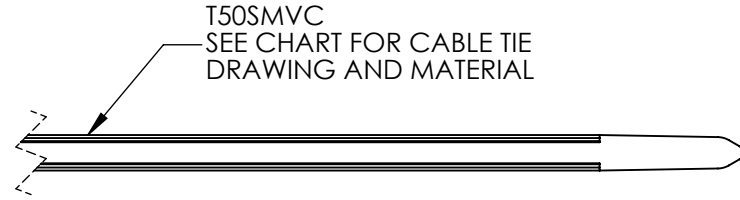
SW2011



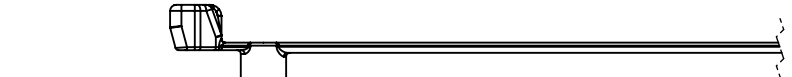
Revision level			Revision Record	Changed	Date	Approved	Date
Drawing	State	Part					
01.1	Design Release	-	SEE ECN# 012883	AAC	11/25/14	KAC	11/25/14



CABLE TIE  
360° ROTATABLE

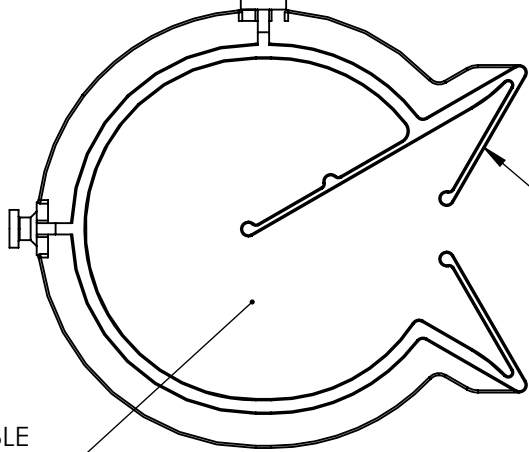


T50SMVC  
SEE CHART FOR CABLE TIE  
DRAWING AND MATERIAL



OC39-45  
SEE CHART FOR CLIP  
DRAWING AND MOUNT

FOR CABLE  
Ø 39-45mm



TYPE	BUNDLE DIAMETER	CABLE TIE		CLIP	
		DRAWING	MATERIAL	DRAWING	MATERIAL
T50SMVCOC39-45	2 to 50	14-0606-002-CSU	PA66HS	05-0047-001-CSU	PA66IMHS

Material SEE CHART	Units: <b>millimeters</b>	The copyright of this drawing is reserved by HellermannTyton. It is issued on condition that it is not reproduced, copied, or disclosed to a third party, either wholly or in part, without the consent of HellermannTyton.	Drawn	AAC	11/25/14	Article/Type-No	T50SMVCOC39-45	Scale	1:1
	Dimension without tolerances details to: .xxx = ±.013 .xx = ±.13 .x = ±.3 None = ±.8 ∠ = ±0.5° Dimension Formatted mm/[in]		Approved	KAC	11/25/14	Title	<b>T50SMVCOC39-45 T50SMVC CABLE TIE WITH OMEGA CLIP 39-45</b>	Project Number	PRP 05-0047
	<b>HellermannTyton</b> North America Email: corp@htamericas.com Web: www.hellermann.tyton.com		Drawing-No	<b>05-0047-003-CSU</b>		Production : Phase	Format	AH	
							Sheet	1/1	