

10

9

8

7

6

5

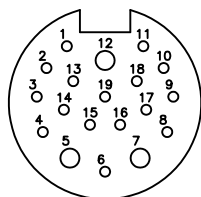
4

3

2

1

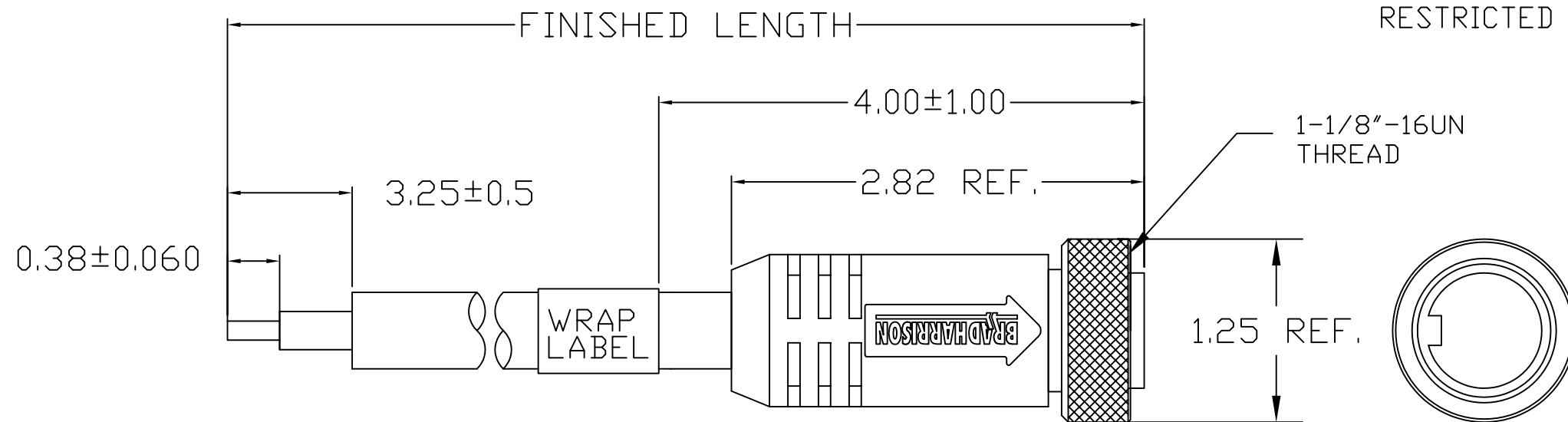
FACE VIEW-FEMALE INSERT



- 1 VIOLET
- 2 RED
- 3 GRAY
- 4 RED/BLUE
- 5 BLUE
- 6 GREEN
- 7 BROWN
- 8 WHITE/GREEN
- 9 WHITE/YELLOW
- 10 WHITE/GREY
- 11 BLACK
- 12 GREEN/YELLOW
- 13 YELLOW/BROWN
- 14 BROWN/GREEN
- 15 WHITE
- 16 YELLOW
- 17 PINK
- 18 GREY/BROWN
- 19 GREY/PINK

CUSTOMER PRODUCTION APPROVAL  
 APPROVED BY: \_\_\_\_\_  
 DATE: \_\_\_\_\_  
 MUST BE SIGNED AND RETURNED BEFORE  
 PRODUCTION WILL BEGIN.

RESTRICTED SALES DRAWING



MATERIALS:

MOLDED BODY: YELLOW PVC  
 COUPLERS: STAINLESS STEEL  
 CONTACTS: GOLD/NICKEL OVER COPPER ALLOY  
 INSERTS: YELLOW PVC

CABLE:  
 CABLE JACKET: BLACK PUR  
 GAUGE: 3-#18 AWG AND 16-#22 AWG  
 CONDUCTOR INSULATION: PVC (SEE PINOUT FOR COLORS)  
 TEMPERATURE RANGE: -25° TO 90°C

ELECTRICAL:  
 CURRENT RATING: 3 AMP - 18 AWG  
 2 AMP - 22 AWG  
 VOLTAGE RATING: 300V

MECHANICAL:  
 INGRESS PROTECTION: IP 67

PART NUMBER	ENGINEERING NO.	FINISH LENGTH
TBD	303000B20M0601	19.69FT. +6.50IN -0IN [6M +16.51CM -0CM]

EC NO: WEU2010-0167 DRWN: TWOLDEGE 11/4/09 CHKD: LHARTMAN APPR: JFMURPHY 2010/01/04	DESCRIPTION REV	<b>QUALITY SYMBOLS</b> ▽=0 ▽=0	<b>GENERAL TOLERANCES (UNLESS SPECIFIED)</b>		DIMENSION STYLE ----		SCALE ----	DESIGN UNITS INCH	THIRD ANGLE PROJECTION
		4 PLACES ±---- mm    ±---- INCH	DRAWN BY DATE TWOLDEGE 2009/11/04		TITLE <b>MINI CHANGE CORESET          19-POLE FEMALE STRAIGHT          BLACK PUR CABLE</b>				
		3 PLACES ±---- mm    ±---- INCH	CHECKED BY DATE LHARTMAN ---		APPROVED BY DATE JFMURPHY 2010/01/04				
		2 PLACES ±---- mm    ±---- INCH 1 PLACE ±---- mm    ±---- INCH	MATERIAL NO. <b>SEE CHART</b>		DOCUMENT NO. <b>SD-130008-021</b>	SHEET NO. <b>1 OF 1</b>			
DRAFT WHERE APPLICABLE MUST REMAIN WITHIN DIMENSIONS			SIZE <b>B</b>	THIS DRAWING CONTAINS INFORMATION THAT IS PROPRIETARY TO MOLEX INCORPORATED AND SHOULD NOT BE USED WITHOUT WRITTEN PERMISSION					

10

9

8

7

6

5

4

3

2

1