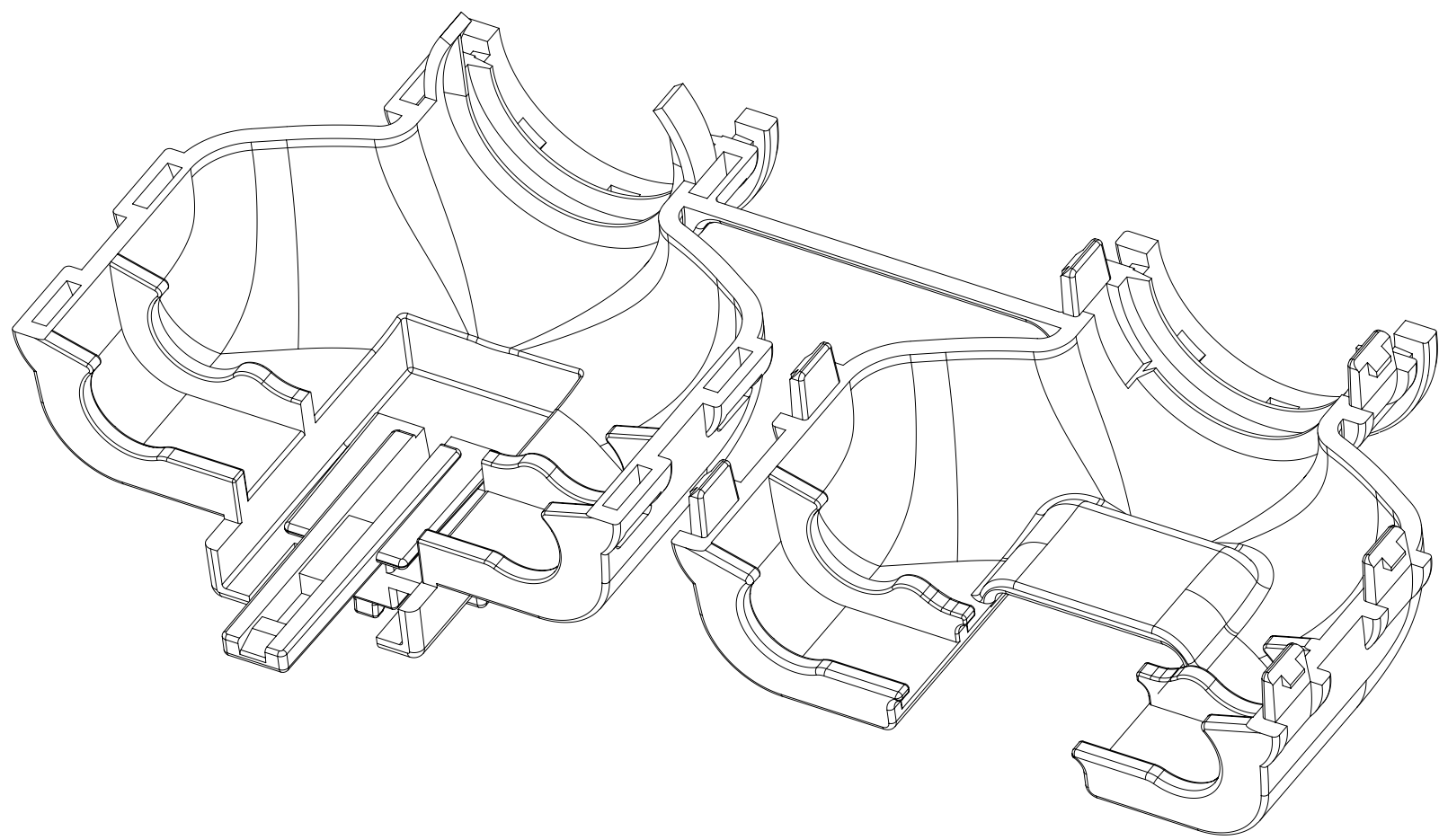
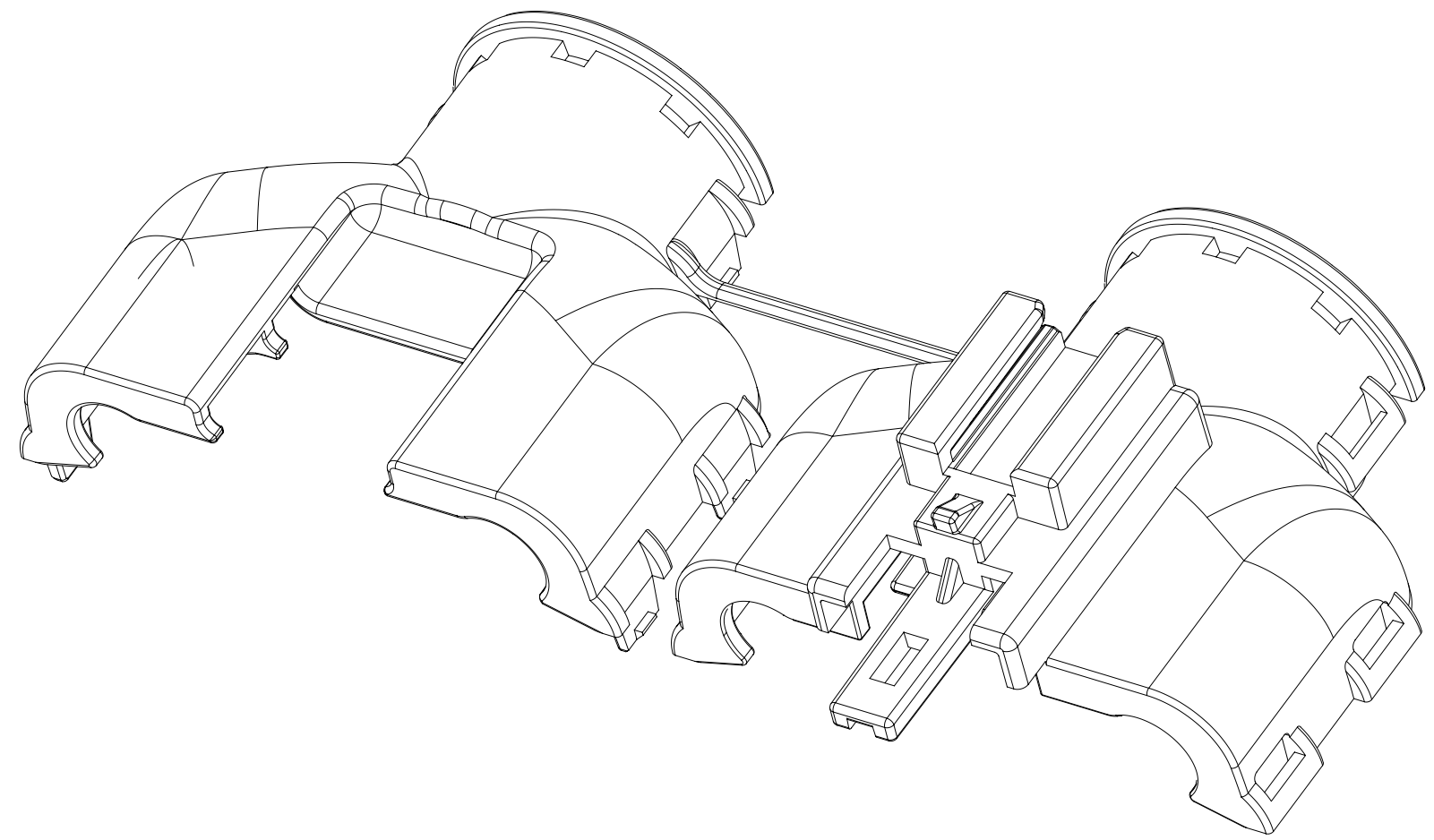


BILL OF MATERIALS (BOM)					
PART NUMBER	CIRCUIT SIZE	CONVOLUTE SIZE	RIBS	STATUS	MATING ASSEMBLY DRAWING
349521611	16	NW 17	YES	SALEABLE	SD-34985-8001



BACKSHELL NOTES: VALID UNLESS OTHERWISE SPECIFIED

1. GENERAL:
  - a. APPLICATION SPECIFICATION SEE: AS-34951-001
    - DESIGNED TO MATE WITH RECEPTACLE SEALED ASSEMBLY AS SPECIFIED IN BOM
    - COMPONENTS ARE OPTIONAL AND MUST BE PURCHASED SEPERATELY
    - BACKSHELL DESIGN IS OWNED BY SCHLEMMER
  - b. PRODUCT SPECIFICATION
    - THESE PRODUCTS ARE ONE TIME USE ONLY.
    - REMOVAL FORCE OF THE BACKSHELL FROM THE MOLEX CONNECTOR TO BE 100N MIN.
    - REMOVAL FORCE OF SLIT CONVOLUTE FROM THE WITH RIB OPTION BACKSHELLS TO BE 100N MIN.
    - REMOVAL FORCE OF UNSLIT CONVOLUTE FROM THE WITH RIB OPTION BACKSHELLS TO BE 100N MIN.
  - c. PACKAGING SPECIFICATION SEE PK-31302-118
  - d. PARTS MUST BE IN COMPLIANCE TO MOLEX CHEMICAL SUBSTANCES FOR PRODUCTS AND PACKAGING SPECIFICATION: QEHS-699000-300
  - e. DATA MUST BE SUBMITTED UNDER THE MOLEX PART NUMBER TO IMDS (COMPANY ID#13255)
  - f. FOLLOWING PRODUCTION CODES TO BE PRESENT
    - DATE CODE
    - MOLD CAVITY CODE
    - MOLEX LOGO
    - RECYCLE CODE
    - SUPPLIER PART NUMBER
  - g. CONNECTOR MUST HAVE CLIPSLOT FEATURE FOR USE WITH MOLEX BACKSHELLS

2. DESIGN - MATERIALS:

- a. PA66 0% GLASS FILLED
- b. BLACK

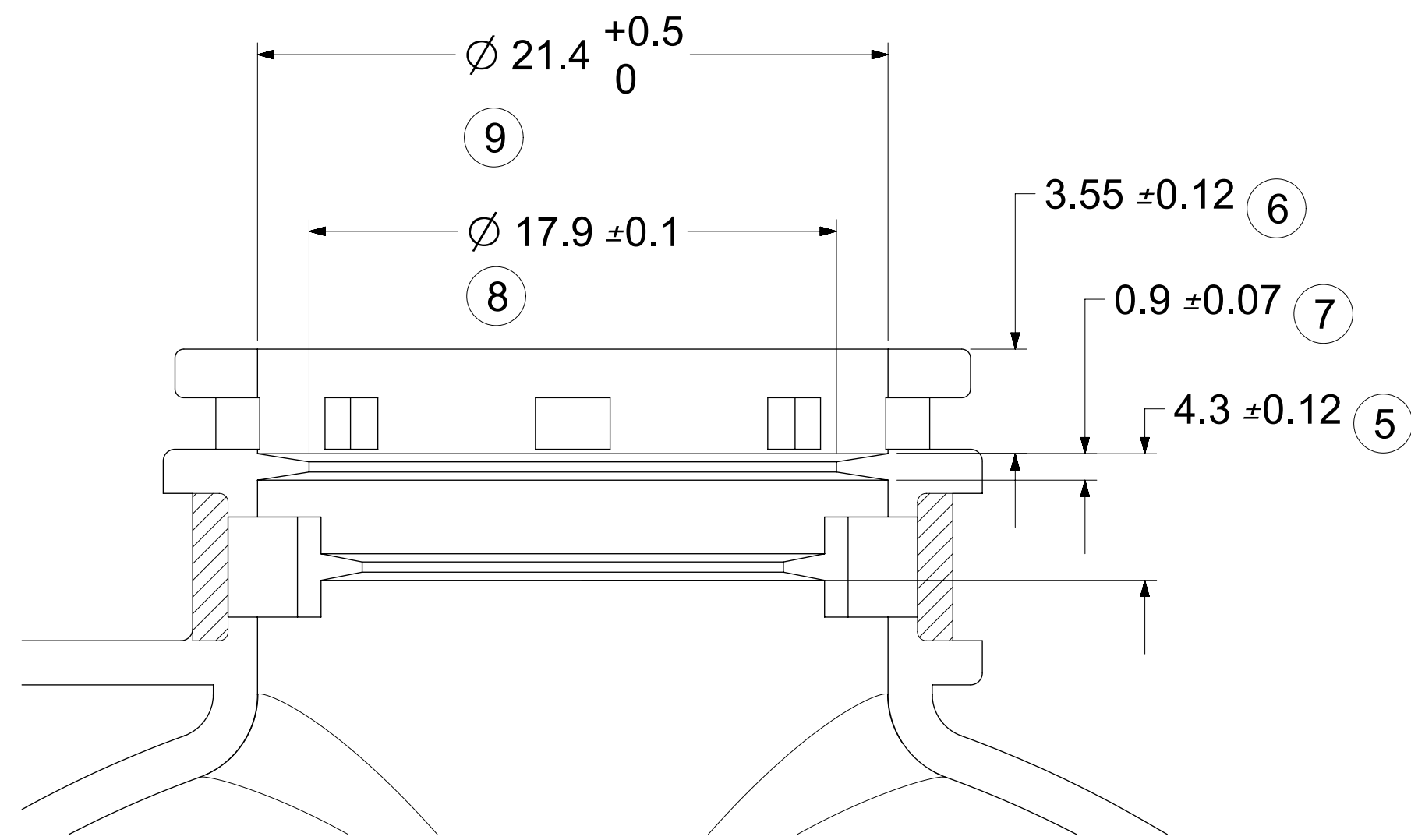
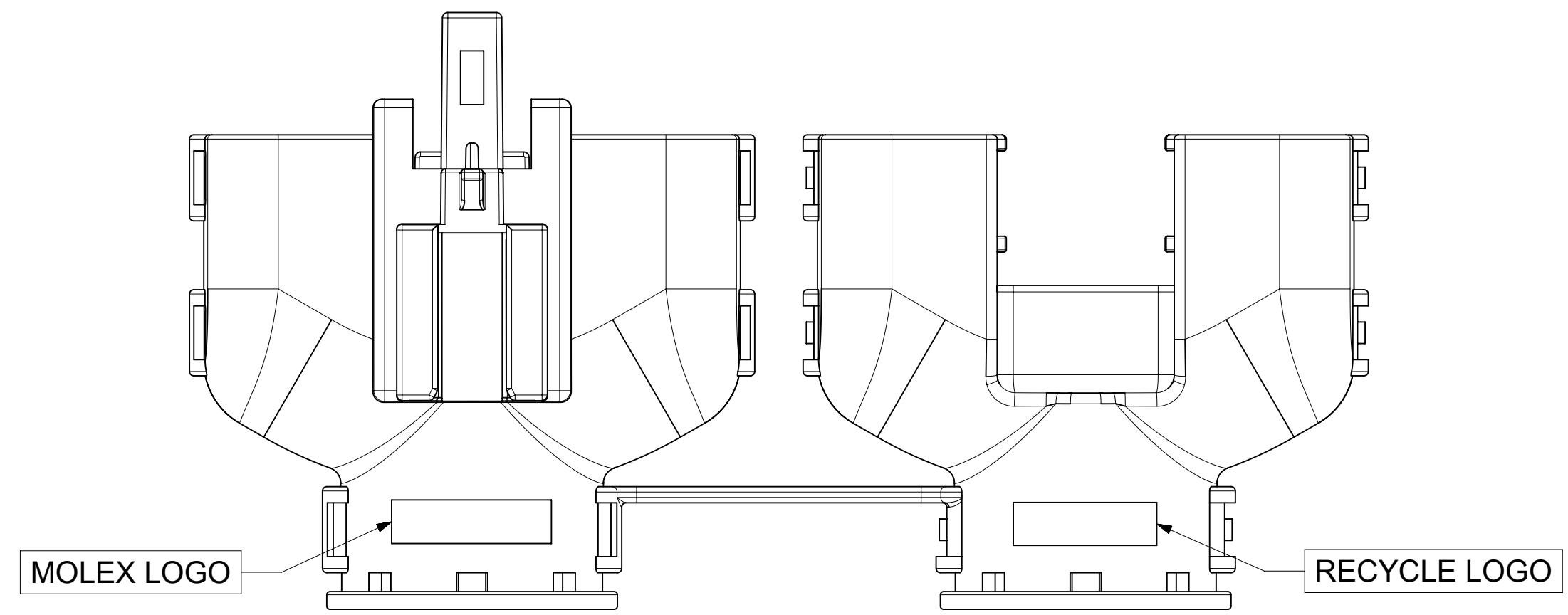
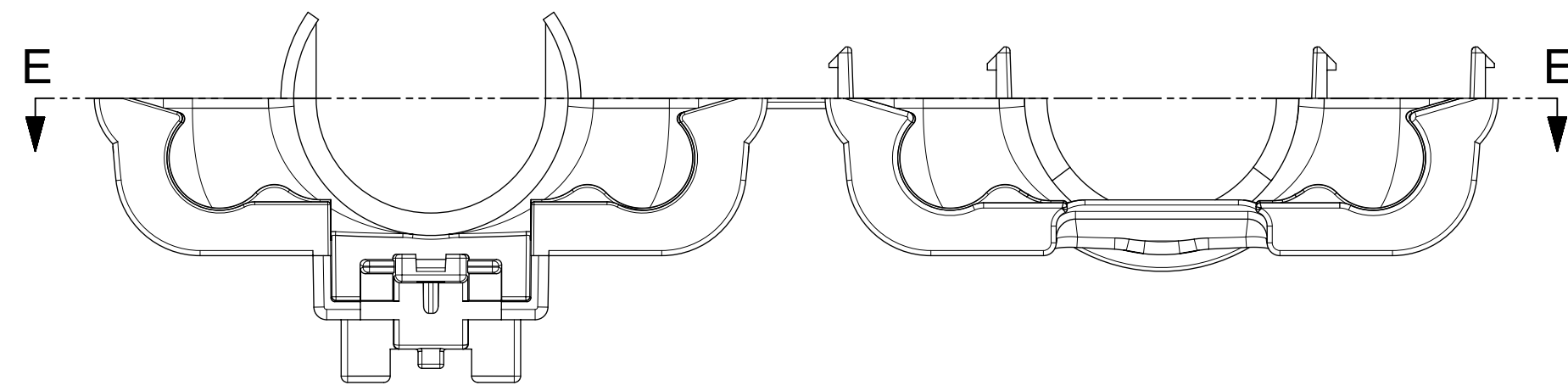
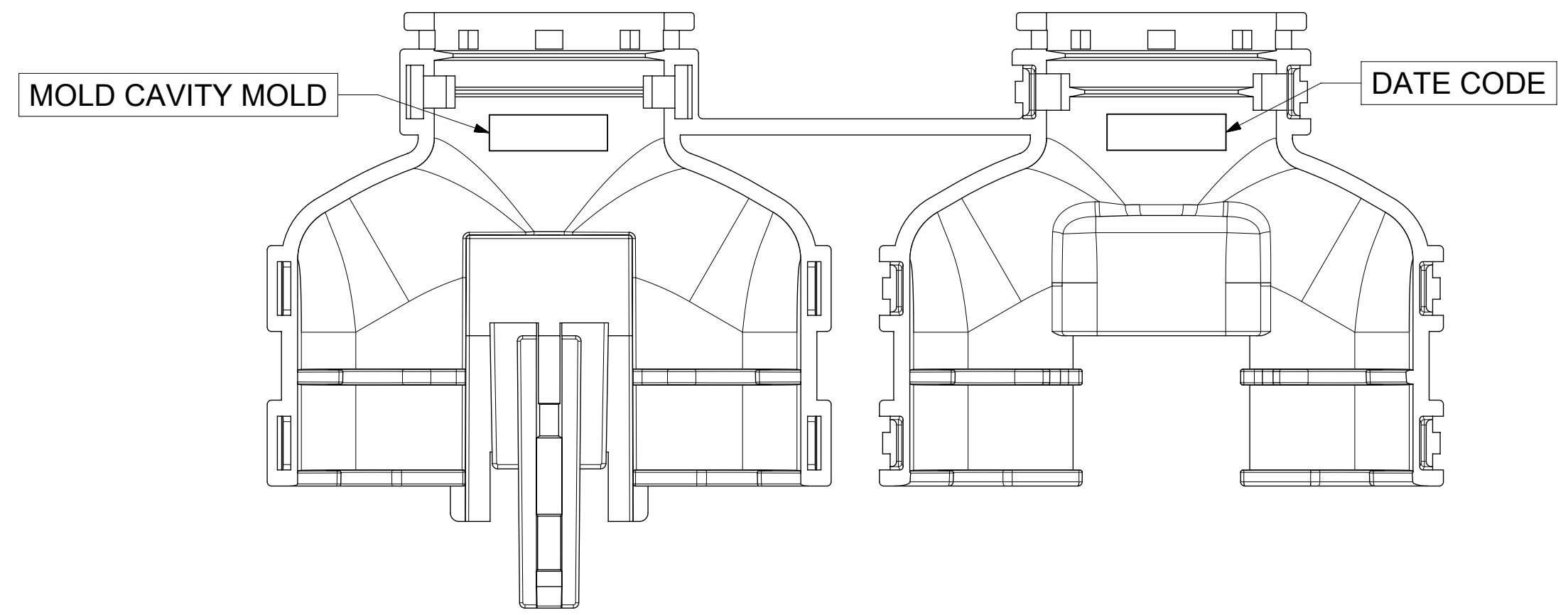
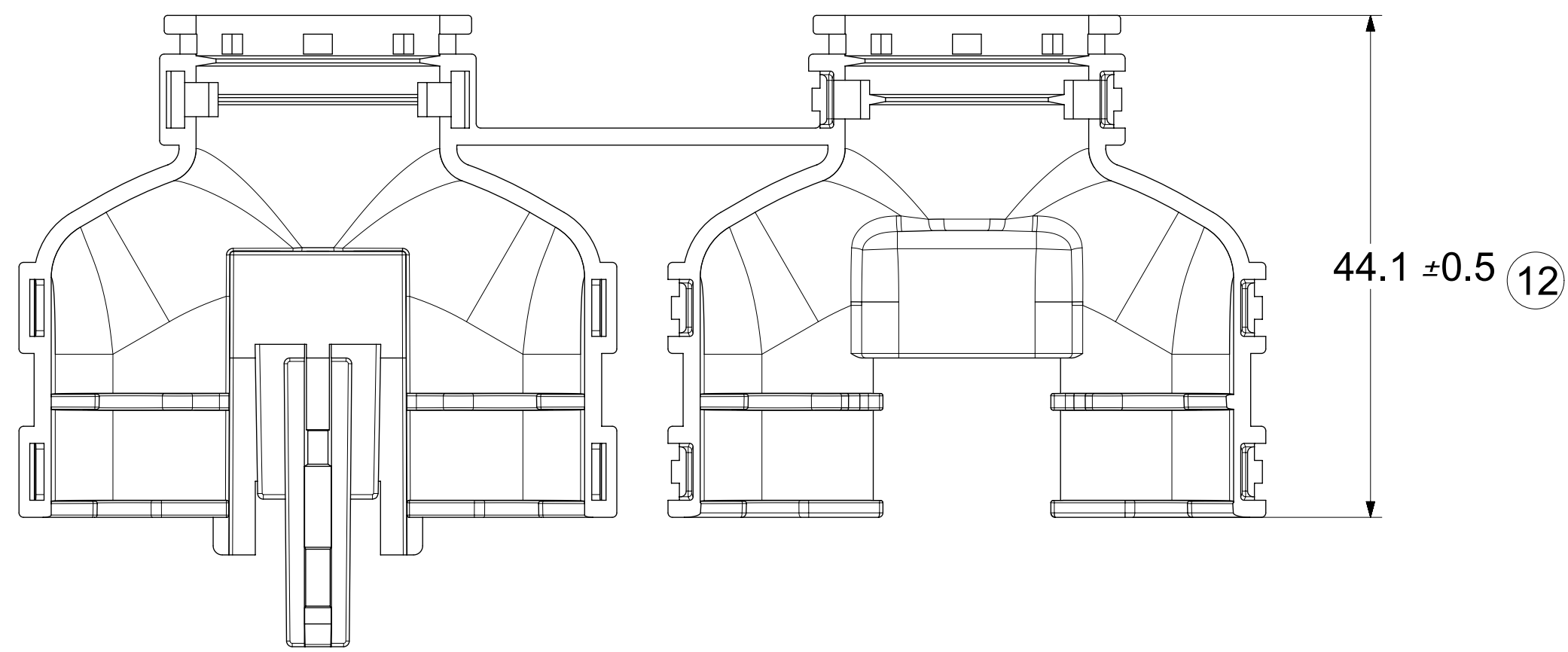
3. DESIGN GEOMETRY:

- a. THIS IS A 100% CAD GENERATED PART. THE CAD MATHEMATICAL DATA IS THE MASTER FOR THIS PART. FOR DIMENSIONAL OR ANY INFORMATION NOT SHOWN ON THIS DRAWING, ANALYZE THE CAD MODEL.
- b. GEOMETRIC DIMENSIONS AND TOLERANCES PER ASME Y14.5M - 2009
- c. CORNERS SHOWN AS SHARP TO BE R 0.1.
- d. VISUAL DEFECTS SHALL MEET COSMETIC STANDARD PS-45499-002 (CLASS B).
- e. DRAFT OF 2° PRESENT.
- f. ALLOWABLE FLASH, PARTING LINES MISMATCH, EJECTOR PINS MARK, AND GATE

VESTIGE TO BE +0.30 MAX PROTUSION.

B	RELEASE TO GENERAL MARKET
A5	UPDATED NOTES
A4	REVISE TOLERANCES
A3	UPDATE LOGO CALLOUT
A2	RELEASE FOR SALEABLE
A	DRAWING RELEASE
REV	DESCRIPTION

SYMBOLS	DIMENSION UNITS	SCALE	CURRENT REV DESC:	molex							
	mm	2:1	EC NO: 621829 DRWN: HGIBOR 2019/08/02 CHK'D: MVANSLAMBROU 2019/08/09 APPR: MVANSLAMBROU 2019/08/09 INITIAL REVISION: DRWN: JPATE01 2017/04/26 APPR: MVANSLAMBROU 2017/10/05	<b>MX150 HYB RCPT BACKSHELL ASM</b>  PRODUCT CUSTOMER DRAWING							
	GENERAL TOLERANCES (UNLESS SPECIFIED)							DOCUMENT NUMBER: <b>349520001</b>   DOC TYPE: PSD   DOC PART: 000   REVISION: B			
	ANGULAR TOL ± 3.0°										
	4 PLACES ±										
	3 PLACES ±			MATERIAL NUMBER: 349520001   CUSTOMER: GENERAL   SHEET NUMBER: 1 OF 2							
	2 PLACES ± 0.1										
	1 PLACE ± 0.2										
	0 PLACES ±										
	DRAFT WHERE APPLICABLE MUST REMAIN WITHIN DIMENSIONS										
	THIRD ANGLE PROJECTION		D-SIZE 34952								



SECTION E-E

SYMBOLS	THIS DRAWING CONTAINS INFORMATION THAT IS PROPRIETARY TO MOLEX ELECTRONIC TECHNOLOGIES, LLC AND SHOULD NOT BE USED WITHOUT WRITTEN PERMISSION		
	DIMENSION UNITS	SCALE	CURRENT REV DESC:
▽ = 0	mm	2:1	
▽ = 0	GENERAL TOLERANCES (UNLESS SPECIFIED)		
▽ = 0	ANGULAR TOL	± 3.0°	
▽ = 0	4 PLACES	±	EC NO: 621829
▽ = 0	3 PLACES	±	DRWN: HGIBOR 2019/08/02
▽ = 0	2 PLACES	± 0.1	CHK'D: MVANSLAMBROU 2019/08/09
▽ = 0	1 PLACE	± 0.2	APPR: MVANSLAMBROU 2019/08/09
▽ = 0	0 PLACES	±	INITIAL REVISION:
▽ = 0	DRAFT WHERE APPLICABLE	THIRD ANGLE PROJECTION	DRWN: JPATE01 2017/04/26
▽ = 0	MUST REMAIN WITHIN DIMENSIONS	DRAWING	APPR: MVANSLAMBROU 2017/10/05
		SERIES	
		D-SIZE	34952
		MATERIAL NUMBER	349520001
		CUSTOMER	GENERAL
		SHEET NUMBER	2 OF 2

**molex**

MX150 HYB RCPT BACKSHELL ASM

PRODUCT CUSTOMER DRAWING

DOCUMENT NUMBER	DOC TYPE	DOC PART	REVISION
349520001	PSD	000	B