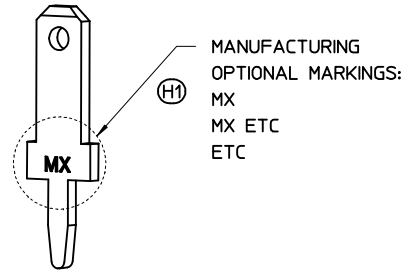
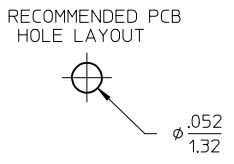
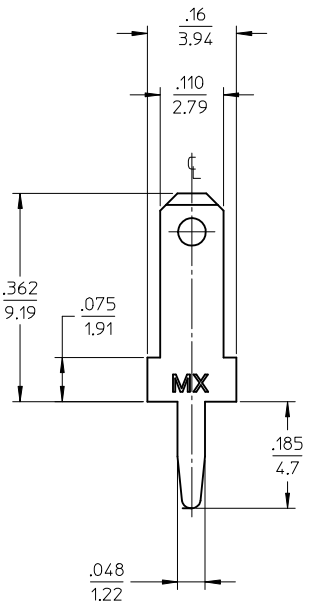


MATERIAL NUMBER	ENGINEERING NUMBER	DESCRIPTION
197124001	19712-4001	LOOSE PART

Ⓜ

19712



NOTES:

- Ⓜ 1. PARTS ARE ROHS COMPLIANT.
- 2. MATERIAL: BRASS C26000 (.020/0.51)
- 3. TAB CONFORMS TO NEMA SPECIFICATIONS.
- 4. ALL DIMENSIONS AND NOTES REFERENCE UNLESS OTHERWISE NOTED.
- 5. PLATING: MATTE TIN, 150μm/3.81μm MINIMUM THICKNESS OVER NICKEL 50μm/1.25μm MINIMUM THICKNESS.

ADDED MARKINGS EC NO: IPG2016-0913 DRWN: GRO.JAS01 2015/12/16 CHKD: APPR: JMACNEIL 2015/12/31 REV	QUALITY SYMBOLS	GENERAL TOLERANCES (UNLESS SPECIFIED)		SCALE 5:1	DESIGN UNITS INCH	THIRD ANGLE PROJECTION	REVISE ON CAD ONLY
	 		mm	INCH	DIMENSION STYLE IN/MM		TITLE
		4 PLACES	± ---	± ---			QUICK DISCONNECT PCB MOUNTABLE .110 X .020 TAB
		3 PLACES	± ---	± .005			
2 PLACES	± 0.13	± .01			MOLEX INCORPORATED		
1 PLACE	± 0.25	± ---	ANGULAR ±1/2°				
DRAFT WHERE APPLICABLE		MUST REMAIN WITHIN DIMENSIONS		APPROVED BY RWD	DATE 11/08/96	MATERIAL NO. SEE CHART	DOCUMENT NO. SD-19712-400
				THIS DRAWING CONTAINS INFORMATION THAT IS PROPRIETARY TO MOLEX INCORPORATED AND SHOULD NOT BE USED WITHOUT WRITTEN PERMISSION		SHEET NO. 1 OF 1	