

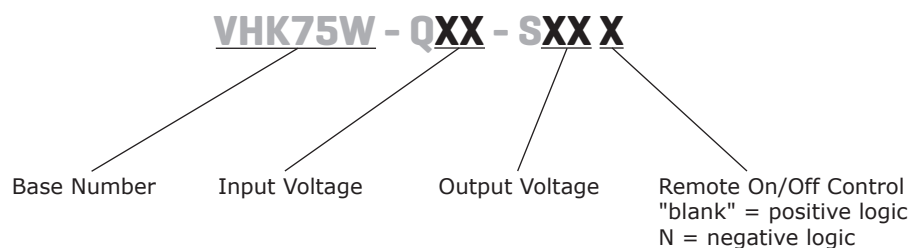

**SERIES: VHK75W | DESCRIPTION: DC-DC CONVERTER**
**FEATURES**

- up to 75 W isolated output
- rugged metal enclosure with integrated heat sink
- 4:1 input range (9~36 Vdc, 18~75 Vdc)
- single output from 3.3~48 Vdc
- 1,500 Vdc isolation
- over current, over temperature, over voltage, and short circuit protections
- remote on/off
- efficiency up to 84%



| MODEL           | input voltage | output voltage | output current | output power | ripple and noise <sup>1</sup> | efficiency |
|-----------------|---------------|----------------|----------------|--------------|-------------------------------|------------|
|                 | range (Vdc)   | (Vdc)          | max (A)        | max (W)      | max (mVp-p)                   | typ (%)    |
| VHK75W-Q24-S3R3 | 9 ~ 36        | 3.3            | 15             | 50           | 100                           | 77         |
| VHK75W-Q24-S5   | 9 ~ 36        | 5              | 15             | 75           | 100                           | 80         |
| VHK75W-Q24-S12  | 9 ~ 36        | 12             | 6.25           | 75           | 150                           | 81.5       |
| VHK75W-Q24-S15  | 9 ~ 36        | 15             | 5              | 75           | 150                           | 82.5       |
| VHK75W-Q24-S24  | 9 ~ 36        | 24             | 3.12           | 75           | 240                           | 83         |
| VHK75W-Q24-S48  | 9 ~ 36        | 48             | 1.56           | 75           | 480                           | 80         |
| VHK75W-Q48-S3R3 | 18 ~ 75       | 3.3            | 15             | 50           | 100                           | 78         |
| VHK75W-Q48-S5   | 18 ~ 75       | 5              | 15             | 75           | 100                           | 81         |
| VHK75W-Q48-S12  | 18 ~ 75       | 12             | 6.25           | 75           | 150                           | 82.5       |
| VHK75W-Q48-S15  | 18 ~ 75       | 15             | 5              | 75           | 150                           | 83.5       |
| VHK75W-Q48-S24  | 18 ~ 75       | 24             | 3.12           | 75           | 240                           | 84         |
| VHK75W-Q48-S48  | 18 ~ 75       | 48             | 1.56           | 75           | 480                           | 82         |

Note: 1. Ripple and noise are measured at full load, 20 MHz BW with 10 $\mu$ F tantalum capacitor and 1 $\mu$ F ceramic capacitor across output. The 48 Vdc output models only require the 1 $\mu$ F ceramic capacitor across the output.

**PART NUMBER KEY**


## INPUT

| parameter               | conditions/description   | min                       | typ | max | units |
|-------------------------|--|---------------------------|-----|-----|-------|
| operating input voltage | 24 Vdc input models  | 9                         | 24  | 36  | Vdc   |
|                         | 48 Vdc input models  | 18                        | 48  | 75  | Vdc   |
| under voltage shutdown  | 24 Vdc input   |                           | 8.8 |     | Vdc   |
|                         | power up<br>power down   |                           | 8   |     | Vdc   |
|                         | 48 Vdc input   |                           | 17  |     | Vdc   |
|                         | power up<br>power down   |                           | 16  |     | Vdc   |
| CTRL <sup>1</sup>       | positive logic   | models ON (open circuit)  |     |     |       |
|                         |  | models OFF (0~0.8 Vdc)    |     |     |       |
|                         | negative logic   | models ON (0~0.8 Vdc)     |     |     |       |
|                         |  | models OFF (open circuit) |     |     |       |
| filter                  | pi filter  |                           |     |     |       |
| input fuse              | 15A time delay fuse for 24 Vin models,<br>8A time delay fuse for 48 Vin models |                           |     |     |       |

Note: 1. Open collector refer to -Vin

## OUTPUT

| parameter                    | conditions/description               | min | typ | max    | units |
|------------------------------|--------------------------------------|-----|-----|--------|-------|
| maximum capacitive load      | 3.3 and 5 V output models            |     |     | 15,000 | μF    |
|                              | 12 V output models                   |     |     | 6,250  | μF    |
|                              | 15 V output models                   |     |     | 5,000  | μF    |
|                              | 24 V output models                   |     |     | 3,120  | μF    |
|                              | 48 V output models                   |     |     | 1,560  | μF    |
| line regulation <sup>2</sup> | measured from high line to low line  |     |     | ±0.2   | %     |
| load regulation <sup>2</sup> | measured from full load to zero load |     |     | ±0.2   | %     |
| voltage accuracy             |                                      |     |     | ±1     | %     |
| adjustability                |                                      |     |     | ±10    | %     |
| switching frequency          |                                      |     |     | 300    | kHz   |
| transient response           | 25% step load change                 |     |     | 500    | μs    |
| temperature coefficient      |                                      |     |     | ±0.03  | %/°C  |

Note: 2. A 47 μF aluminum capacitor is required on the output for 48 Vdc output models.

## PROTECTIONS

| parameter                   | conditions/description   | min | typ | max | units |
|-----------------------------|--------------------------|-----|-----|-----|-------|
| short circuit protection    | continuous               |     |     |     |       |
| over current protection     | % nominal output current | 110 |     | 160 | %     |
| over voltage protection     |                          | 115 |     | 140 | %     |
| over temperature protection | shutdown                 |     | 100 |     | °C    |
|                             | restart threshold        |     | 70  |     | °C    |

## SAFETY AND COMPLIANCE

| parameter            | conditions/description  | min   | typ | max | units |
|----------------------|---|-------|-----|-----|-------|
| isolation voltage    | for 1 minute: input to output; input to case;<br>output to case | 1,500 |     |     | Vdc   |
| isolation resistance |   | 10    |     |     | MΩ    |
| RoHS                 | 2011/65/EU (CE)   |       |     |     |       |

## ENVIRONMENTAL

| parameter             | conditions/description | min | typ | max | units |
|-----------------------|------------------------|-----|-----|-----|-------|
| operating temperature | see derating curve     | -40 |     | 85  | °C    |
| storage temperature   |                        | -55 |     | 105 | °C    |

## MECHANICAL

| parameter     | conditions/description                        | min | typ | max | units |
|---------------|---|-----|-----|-----|-------|
| dimensions    | 4.23 x 4.01 x 1.50 (107.5 x 101.76 x 38.0 mm) |     |     |     | inch  |
| case material | steel and aluminum extrusion                  |     |     |     |       |
| weight        |   |     | 502 |     | g     |

## MECHANICAL DRAWING

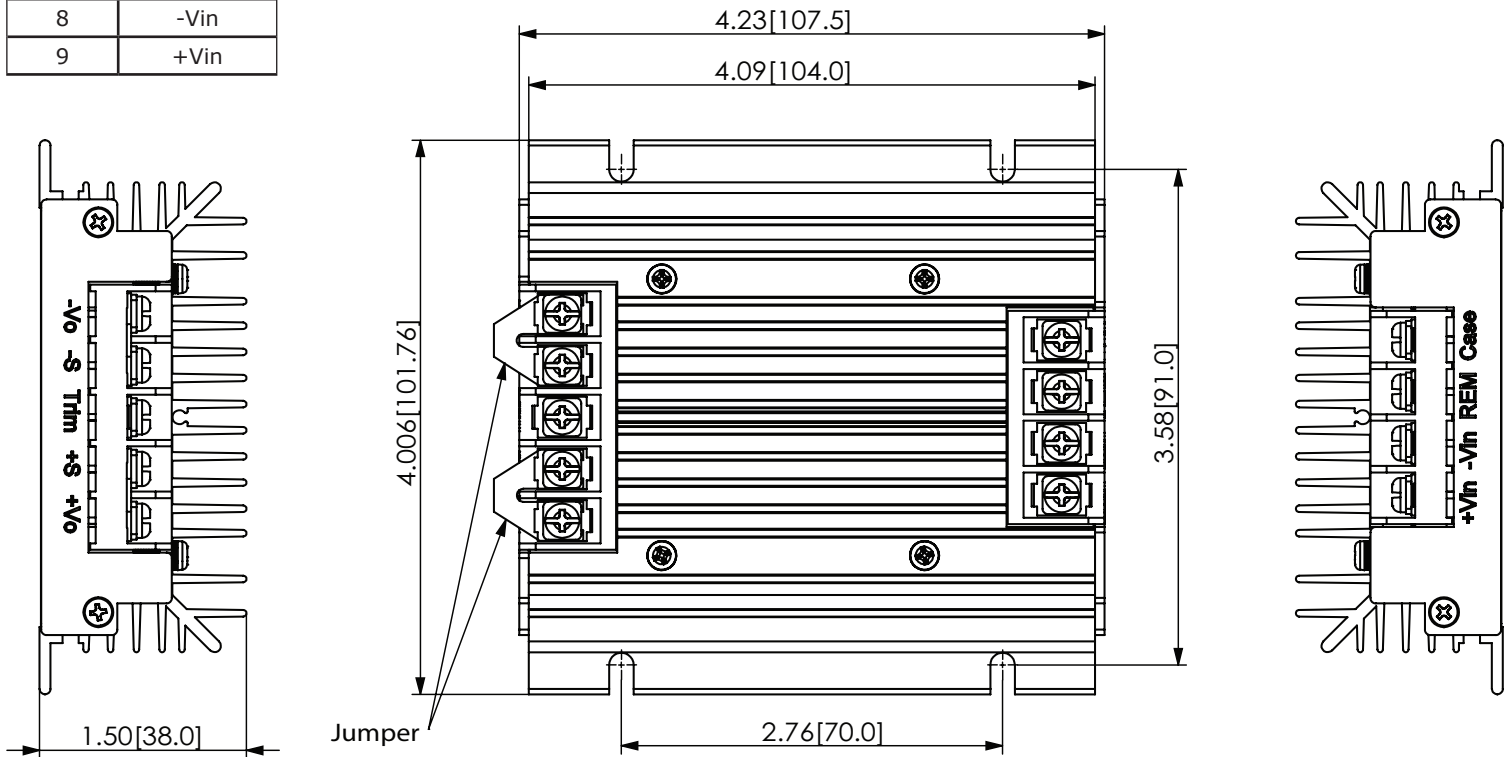
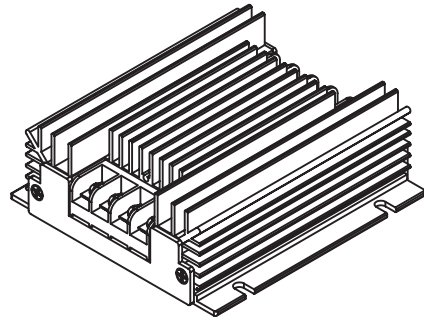
units: inch[mm]

tolerance: X.XX = ±0.02[±0.5]  
 X.XXX = ±0.010[±0.25]

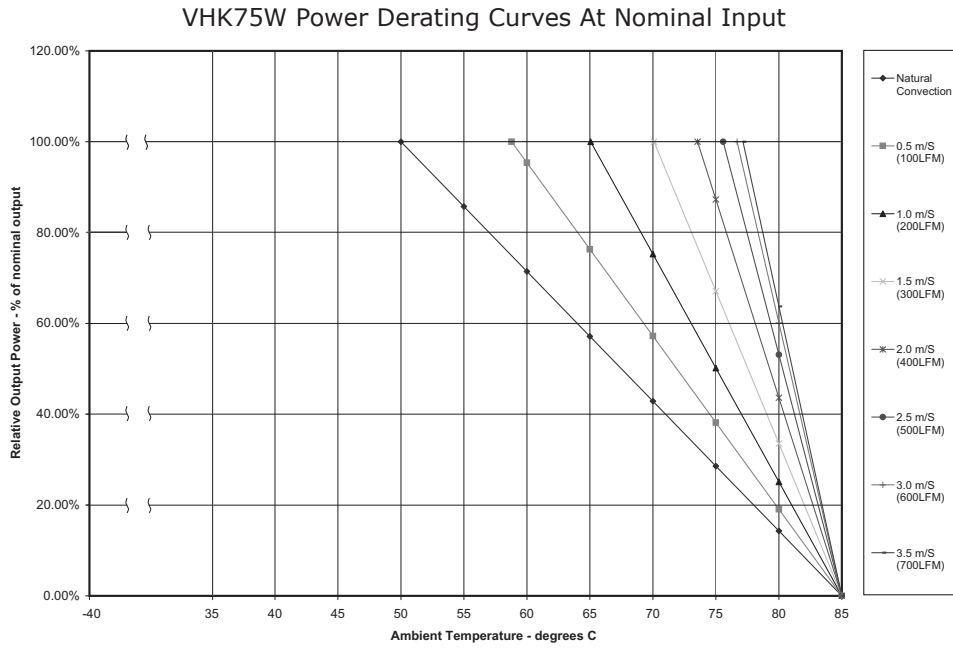
wire range: 22~12 AWG

screw size: #6-32

| PIN CONNECTIONS |          |
|-----------------|----------|
| PIN             | FUNCTION |
| 1               | -Vo      |
| 2               | -S       |
| 3               | trim     |
| 4               | +S       |
| 5               | +Vo      |
| 6               | case     |
| 7               | on/off   |
| 8               | -Vin     |
| 9               | +Vin     |

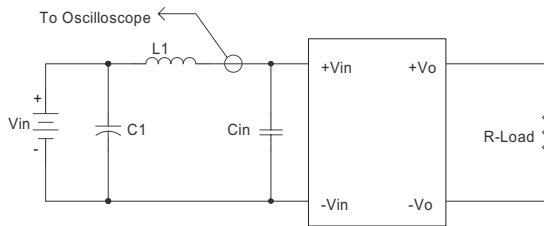


## DERATING CURVES



## TEST CONFIGURATION

**Figure 1**



**Table 1**

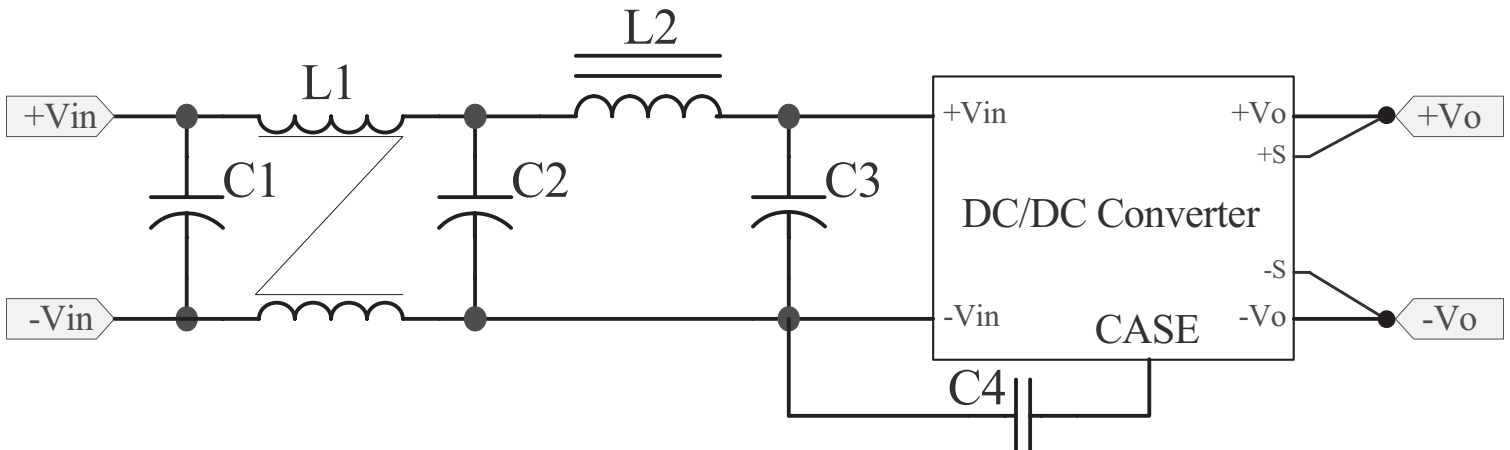
| External components |                              |
|---------------------|------------------------------|
| L1                  | 12μH                         |
| C1                  | 220μF, ESR < 0.1Ω at 100 KHz |
| Cin                 | 100μF, ESR < 0.1Ω at 100 KHz |

Note: Input reflected-ripple current is measured with an inductor L1 and Capacitor C1 to simulate source impedance.

## EMC RECOMMENDED CIRCUITS

### EN55022 CLASS A

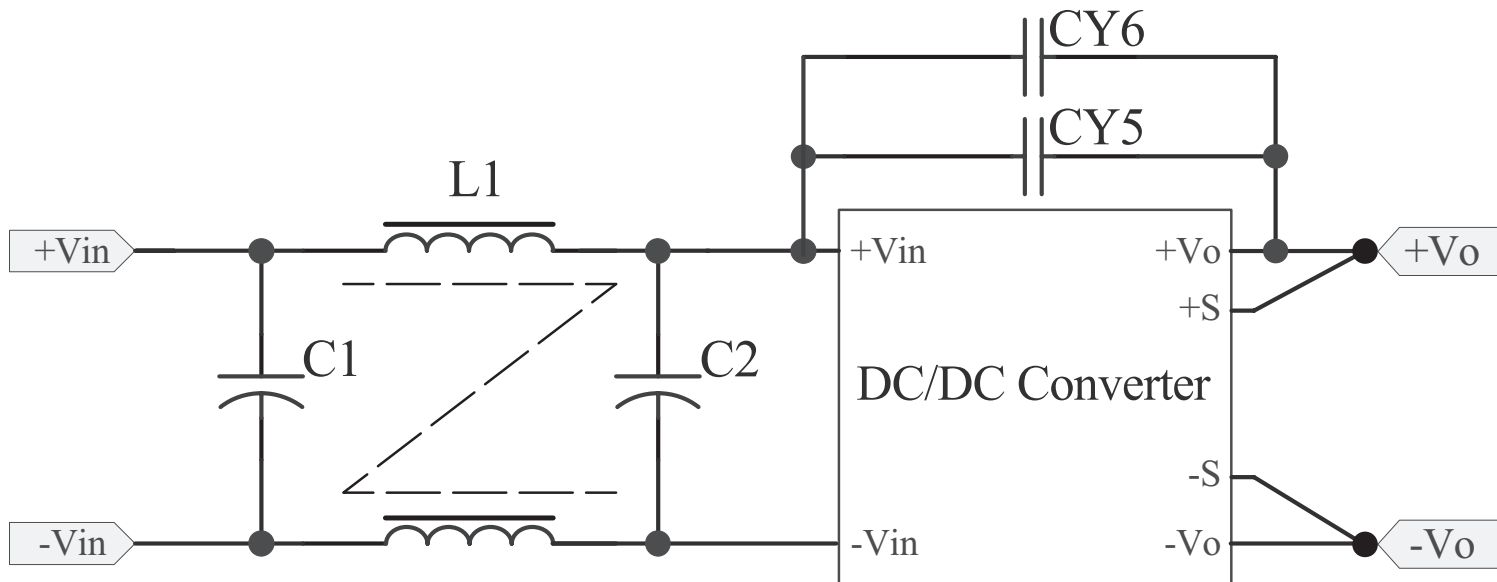
**Figure 2**  
Recommended Circuit for EN55022 Class A  
(for all 3.3, 5, 12, 15, & 24 Vdc output models)



## EMC RECOMMENDED CIRCUITS (CONTINUED)

### EN55022 CLASS A

**Figure 3**  
**Recommended Circuit for EN55022 Class A**  
 (for all 48 Vdc output models)



**Table 2**  
**Class A Recommended Components**

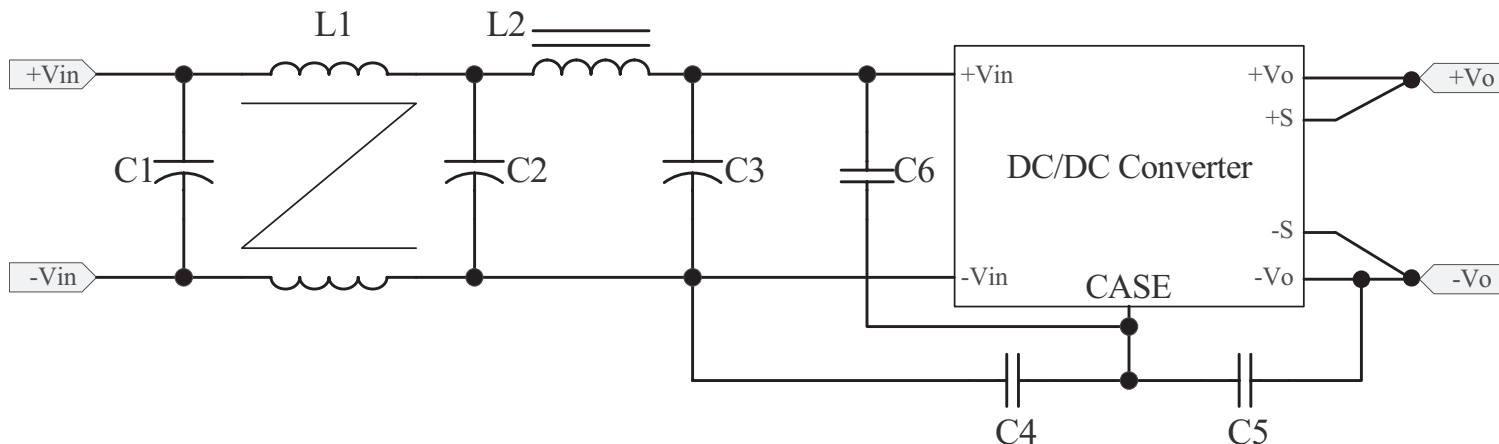
| Model           | C1 <sup>1</sup> | C2 <sup>1</sup> | C3 <sup>1</sup> | C4 <sup>2</sup> | CY5 <sup>2</sup> | CY6 <sup>2</sup> | L1       | L2     |
|-----------------|-----------------|-----------------|-----------------|-----------------|------------------|------------------|----------|--------|
| VHK75W-Q24-S3R3 | NC              | 47 µF/50 V      | 47 µF/50 V      | 2200 pF/2 kV    | NC               | NC               | Short    | 3.4 µH |
| VHK75W-Q24-S5   | NC              | 47 µF/50 V      | 47 µF/50 V      | 2200 pF/2 kV    | NC               | NC               | Short    | 3.4 µH |
| VHK75W-Q24-S12  | NC              | 47 µF/50 V      | 47 µF/50 V      | 2200 pF/2 kV    | NC               | NC               | Short    | 3.4 µH |
| VHK75W-Q24-S15  | NC              | 47 µF/50 V      | 47 µF/50 V      | 2200 pF/2 kV    | NC               | NC               | Short    | 3.4 µH |
| VHK75W-Q24-S24  | NC              | 100 µF/50 V     | 100 µF/50 V     | 2200 pF/2 kV    | NC               | NC               | Short    | 3.4 µH |
| VHK75W-Q24-S48  | 220 µF/50 V     | 100 µF/50 V     | NC              | NC              | 1000 pF/2 kV     | 1000 pF/2 kV     | 0.223 mH | NC     |
| VHK75W-Q48-S3R3 | NC              | 47 µF/100 V     | 47 µF/100 V     | 2200 pF/2 kV    | NC               | NC               | Short    | 3.4 µH |
| VHK75W-Q48-S5   | NC              | 47 µF/100 V     | 47 µF/100 V     | 2200 pF/2 kV    | NC               | NC               | Short    | 3.4 µH |
| VHK75W-Q48-S12  | NC              | 47 µF/100 V     | 47 µF/100 V     | 2200 pF/2 kV    | NC               | NC               | Short    | 3.4 µH |
| VHK75W-Q48-S15  | NC              | 47 µF/100 V     | 47 µF/100 V     | 2200 pF/2 kV    | NC               | NC               | Short    | 3.4 µH |
| VHK75W-Q48-S24  | NC              | 47 µF/100 V     | 47 µF/100 V     | 2200 pF/2 kV    | NC               | NC               | Short    | 3.4 µH |
| VHK75W-Q48-S48  | 56 µF/100 V     | 39 µF/100 V     | NC              | NC              | 1000 pF/2 kV     | 470 pF/2 kV      | 0.223 mH | NC     |

Note: 1. Aluminum capacitors.  
 2. Ceramic capacitors.

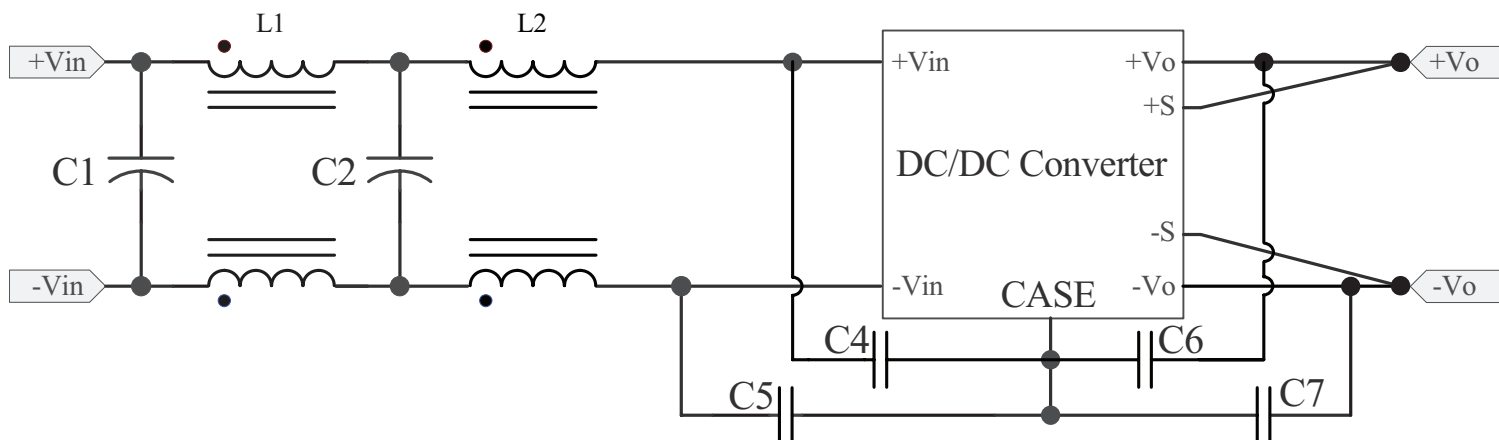
## EMC RECOMMENDED CIRCUITS (CONTINUED)

### EN55022 CLASS B

**Figure 4**  
**Recommended Circuit for EN55022 Class B**  
 (for all 3.3, 5, 12, & 15 Vdc output models as well as VHK75W-Q48-S24)



**Figure 5**  
**Recommended Circuit for EN55022 Class B**  
 (for VHK75W-Q24-S24)



**Table 3**  
**Class B Recommended Components**  
 (for all 3.3, 5, 12, 15, & 24 Vdc output models)

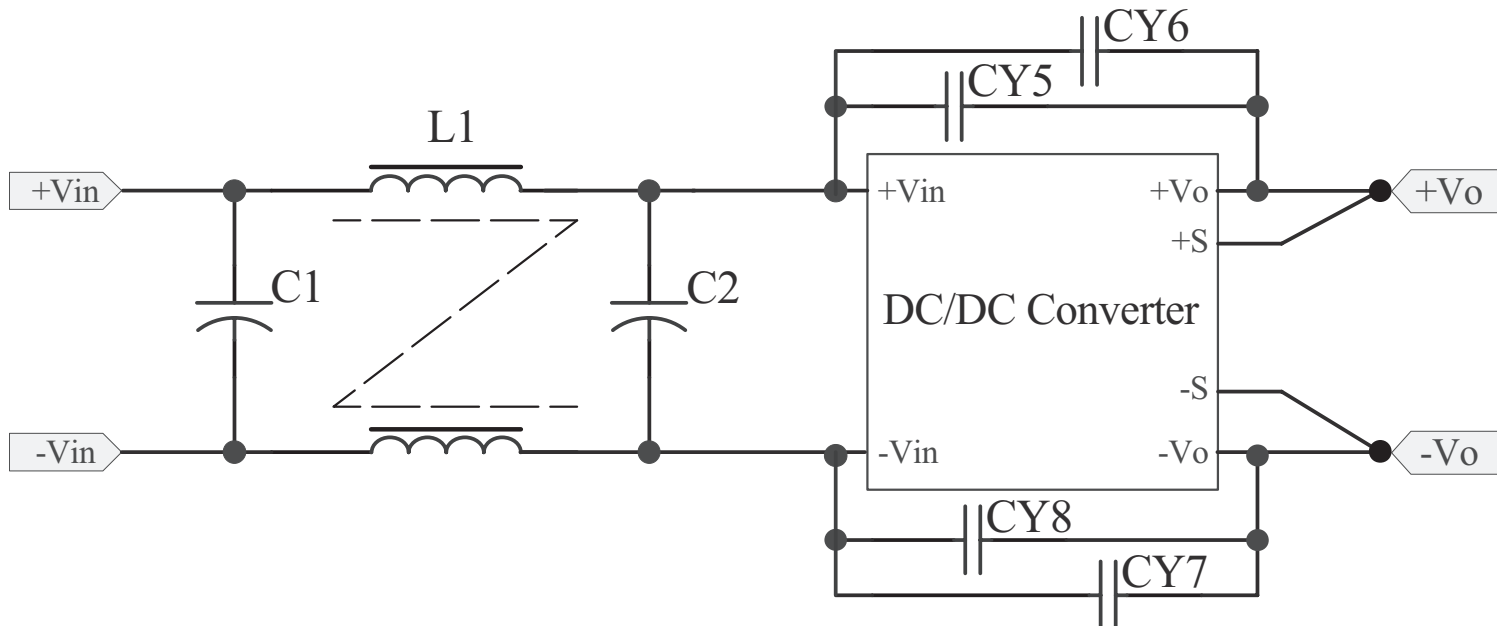
| Model           | C1 <sup>1</sup> | C2 <sup>1</sup> | C3 <sup>1</sup> | C4 <sup>2</sup> | C5 <sup>2</sup> | C6 <sup>2</sup> | C7 <sup>2</sup> | L1      | L2      |
|-----------------|-----------------|-----------------|-----------------|-----------------|-----------------|-----------------|-----------------|---------|---------|
| VHK75W-Q24-S3R3 | 47 μF/50 V      | 47 μF/50 V      | 47 μF/50 V      | 3300 pF/2 kV    | 3300 pF/2 kV    | 1000 pF/2 kV    | NC              | 1.5 mH  | 3.4 μH  |
| VHK75W-Q24-S5   | 47 μF/50 V      | 47 μF/50 V      | 47 μF/50 V      | 2200 pF/2 kV    | 3300 pF/2 kV    | 1000 pF/2 kV    | NC              | 1.5 mH  | 3.4 μH  |
| VHK75W-Q24-S12  | 47 μF/50 V      | 47 μF/50 V      | 47 μF/50 V      | 3300 pF/2 kV    | 1000 pF/2 kV    | 1000 pF/2 kV    | NC              | 1.5 mH  | 3.4 μH  |
| VHK75W-Q24-S15  | 47 μF/50 V      | 47 μF/50 V      | 47 μF/50 V      | 2200 pF/2 kV    | 3300 pF/2 kV    | 1000 pF/2 kV    | NC              | 1.5 mH  | 3.4 μH  |
| VHK75W-Q24-S24  | 100 μF/50 V     | 100 μF/50 V     | NC              | 1000 pF/2 kV    | 1000 pF/2 kV    | 1000 pF/2 kV    | 1000 pF/2 kV    | 0.12 mH | 0.34 mH |
| VHK75W-Q48-S3R3 | 47 μF/100 V     | 47 μF/100 V     | 47 μF/100 V     | 3300 pF/2 kV    | 3300 pF/2 kV    | 1000 pF/2 kV    | NC              | 1.5 mH  | 3.4 μH  |
| VHK75W-Q48-S5   | 47 μF/100 V     | 47 μF/100 V     | 47 μF/100 V     | 3300 pF/2 kV    | 3300 pF/2 kV    | 1000 pF/2 kV    | NC              | 1.5 mH  | 3.4 μH  |
| VHK75W-Q48-S12  | 47 μF/100 V     | 47 μF/100 V     | 47 μF/100 V     | 3300 pF/2 kV    | 3300 pF/2 kV    | 1000 pF/2 kV    | NC              | 1.5 mH  | 3.4 μH  |
| VHK75W-Q48-S15  | 47 μF/100 V     | 47 μF/100 V     | 47 μF/100 V     | 3300 pF/2 kV    | 3300 pF/2 kV    | 1000 pF/2 kV    | NC              | 1.5 mH  | 3.4 μH  |
| VHK75W-Q48-S24  | 47 μF/100 V     | 47 μF/100 V     | 47 μF/100 V     | 2200 pF/2 kV    | 2200 pF/2 kV    | 1000 pF/2 kV    | NC              | 1.5 mH  | 3.4 μH  |

Note: 1. Aluminum capacitors.  
 2. Ceramic capacitors.

## EMC RECOMMENDED CIRCUITS (CONTINUED)

### EN55022 CLASS B

**Figure 6**  
**Recommended Circuit for EN55022 Class B**  
 (for all 48 V output models)



**Table 4**  
**Class B Recommended Components**  
 (for all 48 V output models)

| Model          | C1 <sup>1</sup> | C2 <sup>1</sup> | CY5 <sup>2</sup> | CY6 <sup>2</sup> | CY7 <sup>2</sup> | CY8 <sup>2</sup> | L1       |
|----------------|-----------------|-----------------|------------------|------------------|------------------|------------------|----------|
| VHK75W-Q24-S48 | 220 μF/50 V     | 220 μF/50 V     | 1500 pF/2 kV     | 1000 pF/2 kV     | 1000 pF/2 kV     | 1000 pF/2 kV     | 0.223 mH |
| VHK75W-Q48-S48 | 56 μF/100 V     | 56 μF/100 V     | 1000 pF/2 kV     | 1000 pF/2 kV     | 1000 pF/2 kV     | 1000 pF/2 kV     | 0.223 mH |

Note: 1. Aluminum capacitors.  
 2. Ceramic capacitors.

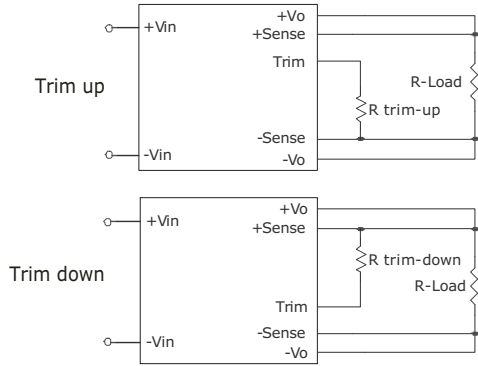
## APPLICATION NOTES

### 1. Output Voltage Trimming

Leave open if not used.

**Figure 7**

Application Circuit for Trim pin



### Formula for Trim Resistor

$$R_{trim - up} = \left( \frac{R_1(V_f - V_f(\frac{R_2}{R_2 + R_3}))}{V_o - V_{o, nom}} \right) - \frac{R_2 R_3}{R_2 + R_3} (K\Omega)$$

$$R_{trim - down} = \frac{R_1(V_o - V_f)}{V_{o, nom} - V_o} - R_2 (K\Omega)$$

Note:  $R_{trim-up}$  is the external resistor in  $K\Omega$   
 $R_{trim-down}$  is the external resistor in  $K\Omega$   
 $V_{o, nom}$  is the nominal output voltage  
 $V_o$  is the desired output voltage  
 $R_1, R_2, R_3,$  and  $V_f$  are internal (see Table 5).

**Table 5**

| Vout (Vdc) | R1 (KΩ) | R2 (KΩ) | R3 (KΩ) | Vr (V) | Vf (V) |
|------------|---------|---------|---------|--------|--------|
| 3.3        | 3       | 12      | 18      | 1.24   | 0.46   |
| 5          | 2.32    | 8.2     | 0       | 2.5    | 0      |
| 12         | 9.1     | 51      | 18      | 2.5    | 0.46   |
| 15         | 12      | 82      | 18      | 2.5    | 0.46   |
| 24         | 20      | 100     | 20      | 2.5    | 0.46   |
| 48         | 36      | 270     | 14      | 3.085  | 1.15   |



## REVISION HISTORY

---

| rev. | description                        | date       |
|------|------------------------------------|------------|
| 1.0  | initial release                    | 03/28/2007 |
| 1.01 | new template applied               | 12/21/2011 |
| 1.02 | misc. updates and corrections      | 03/13/2012 |
| 1.03 | updated mechanical drawing         | 03/27/2012 |
| 1.04 | V-Infinity branding removed        | 06/27/2012 |
| 1.05 | updated spec                       | 03/14/2013 |
| 1.06 | added trimming and EMI information | 12/16/2013 |

The revision history provided is for informational purposes only and is believed to be accurate.

**CUI INC**<sup>®</sup>

**Headquarters**  
20050 SW 112th Ave.  
Tualatin, OR 97062  
**800.275.4899**

Fax 503.612.2383  
**cui.com**  
techsupport@cui.com

CUI offers a two (2) year limited warranty. Complete warranty information is listed on our website.

CUI reserves the right to make changes to the product at any time without notice. Information provided by CUI is believed to be accurate and reliable. However, no responsibility is assumed by CUI for its use, nor for any infringements of patents or other rights of third parties which may result from its use.

CUI products are not authorized or warranted for use as critical components in equipment that requires an extremely high level of reliability. A critical component is any component of a life support device or system whose failure to perform can be reasonably expected to cause the failure of the life support device or system, or to affect its safety or effectiveness.