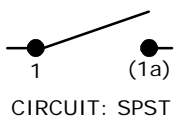


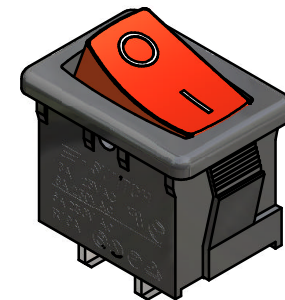
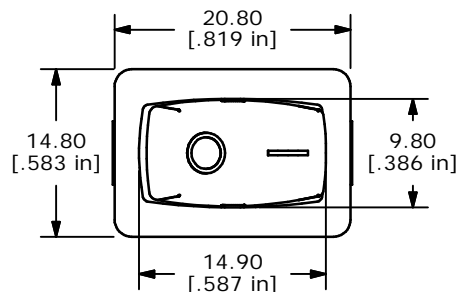
RECOMMENDED PANEL MOUNTING

PANEL THICKNESS	X
0.75-1.25	19.2
1.25-2.00	19.4
2.00-3.00	19.8

SWITCH FUNCTION		
POS. 1	POS. 2	POS. 3
ON	NONE	(OFF)
1a-1	OPEN	OPEN

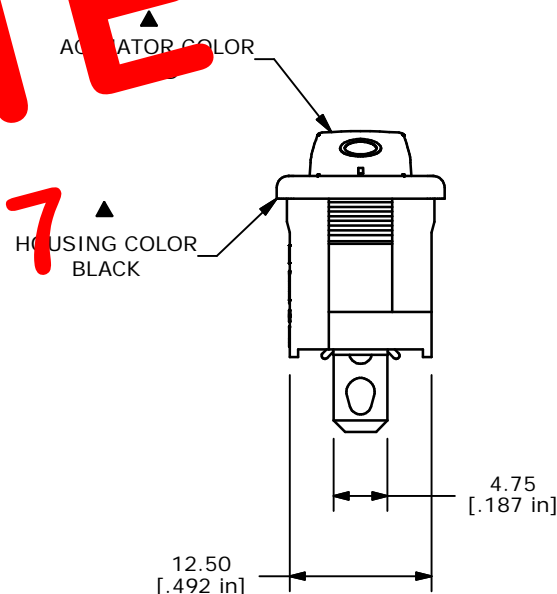
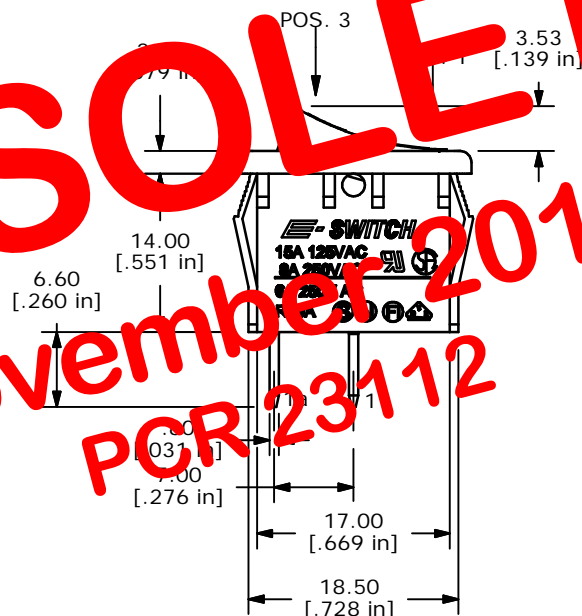


- NOTES:
1. ALL DIMENSIONS IN MM [INCH]
  2. GENERAL TOLERANCE: X.X=±0.4  
X.XX=±0.25
  3. TERM. NOS. FOR REF. ONLY
  4. RATING: 15A @125VAC;  
8A @250VAC.
  - ▲5. LAMP VOLTAGE: NO LAMP
  6. MATERIAL:  
CONTACT SURFACE: COIN SILVER, SILVER PLATED.  
TERMINAL: COPPER ALLOY w/SILVER PLATE
  7. ELECTRICAL LIFE: 10,000 CYCLES
  8. CONTACT RESISTANCE: <20 MILLI-OHMS INITIAL
  9. DIELECTRIC STRENGTH: >1,500V AC 1 MIN
  10. ▲DENOTES CRITICAL PARAMETER.



ISOMETRIC

OBSOLETE  
 November 2017  
 PCR 23112



**E-SWITCH®**

A	14785	RELEASED FOR PRODUCTION	3/24/05	AR
REV	PCR NO	DESCRIPTION	DATE	BY

TITLE R1966EBLKREDF				
SCALE	DATE	DR	DWG	REV
1.5:1	3/24/05	AR	M301253	A

THE INFORMATION CONTAINED IN THIS DOCUMENT IS PROPRIETARY TO E-SWITCH AND IS NOT TO BE COPIED OR TRANSFERRED