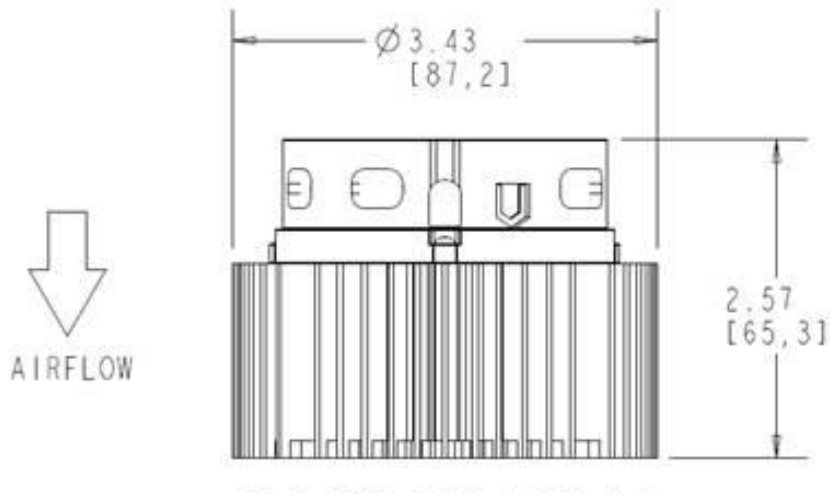




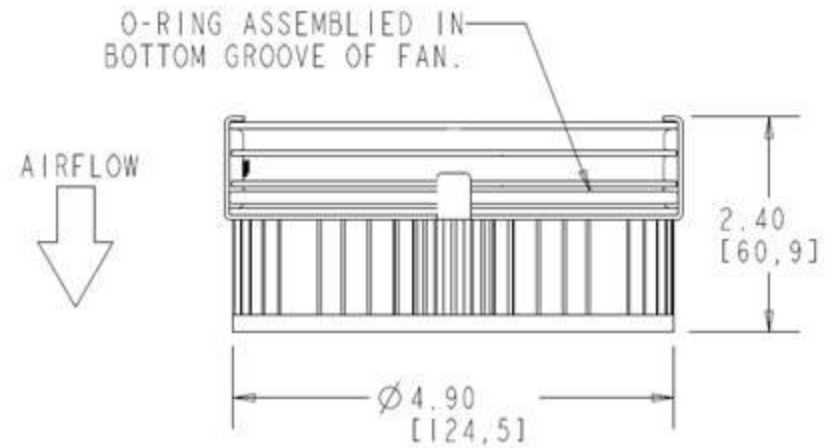
## Distributor Product Change Notice

|                         |  |
|-------------------------|--|
| Date: 4/17/18           | Distribution List: All ebm-papst Distributors  |
| Overview:               | PG1W-012-060-11 – Changes to pricing and MOQ   |
| Reason for change:      | Low demand   |
| Affected Part No(s):    | PG1W-012-060-11  |
| Change Detail:          | PG1W-012-060-11 has moved from a (10) to a (500) piece MOQ and pricing at that quantity is “available upon request”  |
| Effective Date:         | Immediately (4/17/18)  |
| Last time buy deadline: | N/A  |
| Pricing:                | Available upon request at or above MOQ (500 pcs)   |
| ebm-papst employee:     | Jeannine Zenobi  |
| Comments:               | <ul style="list-style-type: none"><li>• Samples of PG1W-012-060-11 for testing / prototype are available upon request</li><li>• Suggested alternative is the PG1W-012-119-10; same bolt hole pattern on heatsink for mounting, overall size of heatsink is slightly larger</li></ul> |
| Attachments:            | Drawings of the PG1W-012-060-11 and PG1W-012-119-10 for comparison   |

|                                |                           |                               |
|--------------------------------|---------------------------|-------------------------------|
| Form No: 1274                  | Quality Record - No       | Page 1 of 1                   |
| Rev. – Orig, Released 08/28/14 | Retention Period – 1 year | Dept. Owner – Sales/Marketing |



PG1W-012-060-11



PG1W-012-119-10