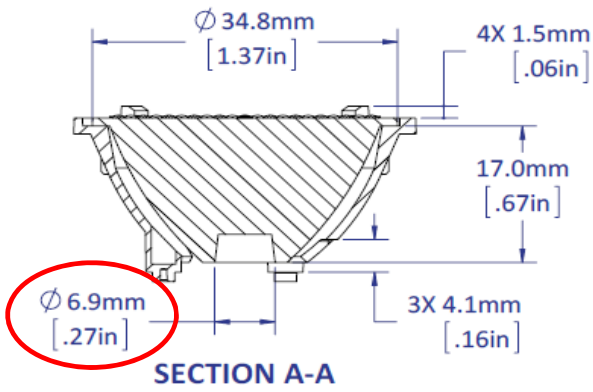
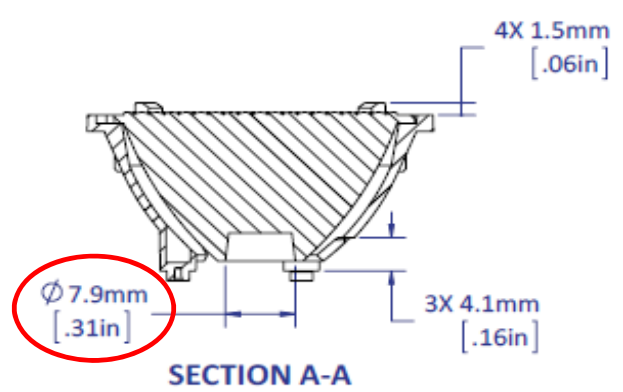


<b>Product End-of-Life (EOL) Notification</b>		
<b>AFFECTED PART NUMBER(S):</b> LLNS-1T06-x LLNF-1T06-x LLFL-1T06-x		<b>EOL No.</b>  22
<b>PART DESCRIPTION:</b> LZ4 Narrow Spot TIR Lens LZ4 Narrow Flood TIR Lens LZ4 Flood TIR Lens		<b>DATE:</b>  7/6/2015
<b>RECOMMENDED REPLACEMENT PART NUMBER(S):</b>		
Affected P/Ns	Replacement P/Ns	Description of Replacement Part
LLNS-1T06-x	LLNS-2T06-x	<i>Form, fit and function compatible with the affected P/Ns, but note that:</i> 1. Inner light pipe diameter increased from 6.9mm (in affected P/Ns) to 7.9mm (in replacement P/Ns). See next page for details. 2. Performance comparison table is on next page.
LLNF-1T06-x	LLNF-2T06-x	
LLFL-1T06-x	LLFL-2T06-x	
<b>REASON FOR EOL:</b> Transitioning to set of lenses with larger inner light pipe diameter to ease pick and place in large scale fixture assembly.		
<b>LAST ORDER DATE:</b> LED Engin will continue to accept order for the affected parts until inventory is depleted		<b>LAST SHIPMENT DATE:</b>  N/A
<b>DISPOSITION OF EXISTING INVENTORY:</b> LED Engin will continue to accept order for the affected parts until inventory is depleted		
<b>NOTE:</b>  N/A		
<b>CONTACT PERSON:</b> Erin Tjahjono Product Manager 651 River Oaks Parkway San Jose, CA 95134 etjahjono@ledengin.com		

**LLxx-1T06-x (Affected P/Ns)**



**LLxx-2T06-x (Replacement P/Ns)**



Part Number	Beam Angle (deg)	On-axis Intensity (cd/lm)
LLNS-1T06-x	14	7.9
LLNS-2T06-x	14	8.8
LLNF-1T06-x	22	3.0
LLNF-2T06-x	25	2.9
LLFL-1T06-x	40	1.6
LLFL-2T06-x	37	1.6