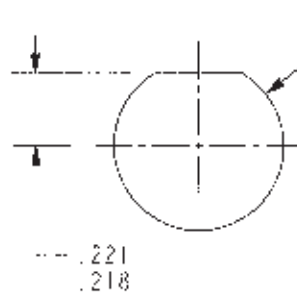
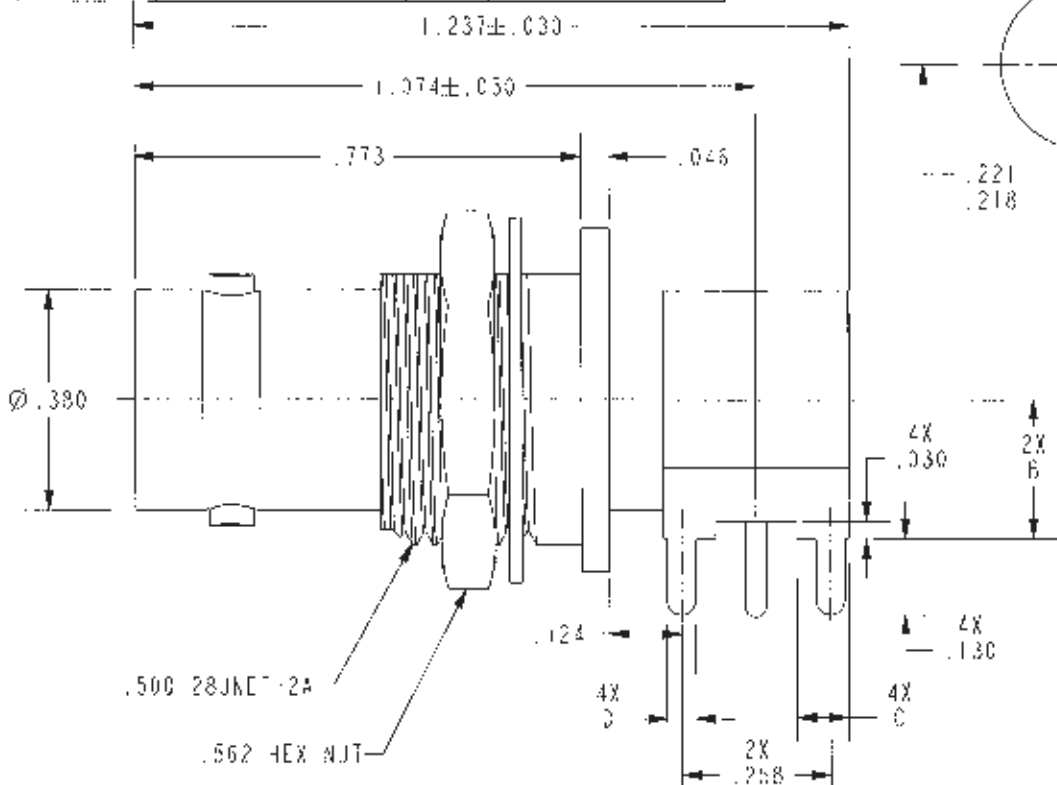


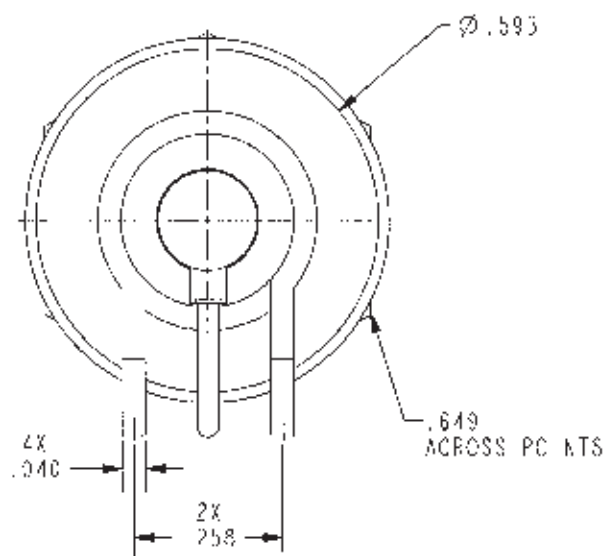
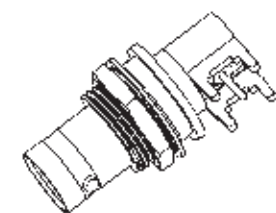
DASH NUMBER	MODEL NUMBER	LETTER CODE	IMPED $\Omega$	A DIA	B DIM	C DIM	D DIM	F DIA
1	CBBJR29		50	.046	24	.090	.050	.0625
2	UCBBJR29		75	.029				
3	CBBJR29A	A	50	.046	.34	.090	.058	.010
4	UCBBJR29A		75	.029				

DATA CONTAINED IN THIS DOCUMENT IS PROPRIETARY TO TROMPETER ELECTRONICS INC. AND SHALL NOT BE DISCLOSED, COPIED OR USED FOR REPRODUCTION OR MANUFACTURE WITHOUT EXPRESS WRITTEN PERMISSION.

REVISIONS			
REV	DESCRIPTION	DATE	APPROVED
6	REVISED PER ECO 6629	7-18-08	[Signature]



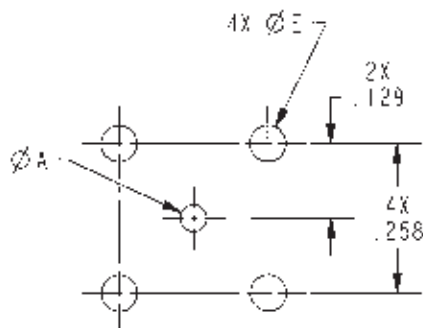
RECOMMENDED PANEL CUTOUT SCALE 2/1



NOT SHOWN

RED INDICATES ORIGINAL

- MAXIMUM PANEL THICKNESS .179
- EXAMPLE OF COMPLETE MODEL NUMBER:  
CBBJR29 A  
BAS C MODEL NUMBER LETTER CODE
- FINISH: TFS-1A (NICKEL)
- 50 & 75  $\Omega$  RIGHT ANGLE CIRCUIT BOARD AND BULKHEAD MOUNTING BNC RECEPTACLE



RECOMMENDED MICRO-HOLE PATTERN SCALE 3/1

INTERPRET DRAWING PER MIL-STD-100 DIMENSIONS ARE IN INCHES AND INCLUDE FINISH THICKNESS UNLESS OTHERWISE SPECIFIED.		TOL. UNLESS SPECIFIED: XX + .02 XXX ± .00 ANGLE ± 1°		
DATE: 5-19-08	DESIGNED BY: JIM STAFFIT	MATERIAL:	FILE:	
DATE: 6-23-08	DATE: 7/17/08	FINISH:	SIZE - CAGE CODE: A 14949	DRWING NO.: 1-0052
DATE: 7/17/08	DATE: 8-10-00	DO NOT SCALE DWG	SCALE: 3/1	SHEET: 10

NOTES: UNLESS OTHERWISE SPECIFIED.