

DATA CONTAINED IN THIS DOCUMENT IS PROPRIETARY TO TROMPETER ELECTRONICS INC. AND SHALL NOT BE DISCLOSED, COPIED OR USED FOR PROCUREMENT OR MANUFACTURE WITHOUT EXPRESS WRITTEN PERMISSION OF TROMPETER ELECTRONICS INC.

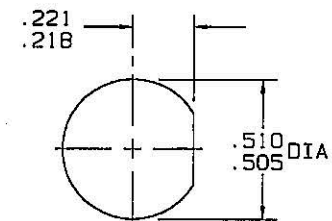
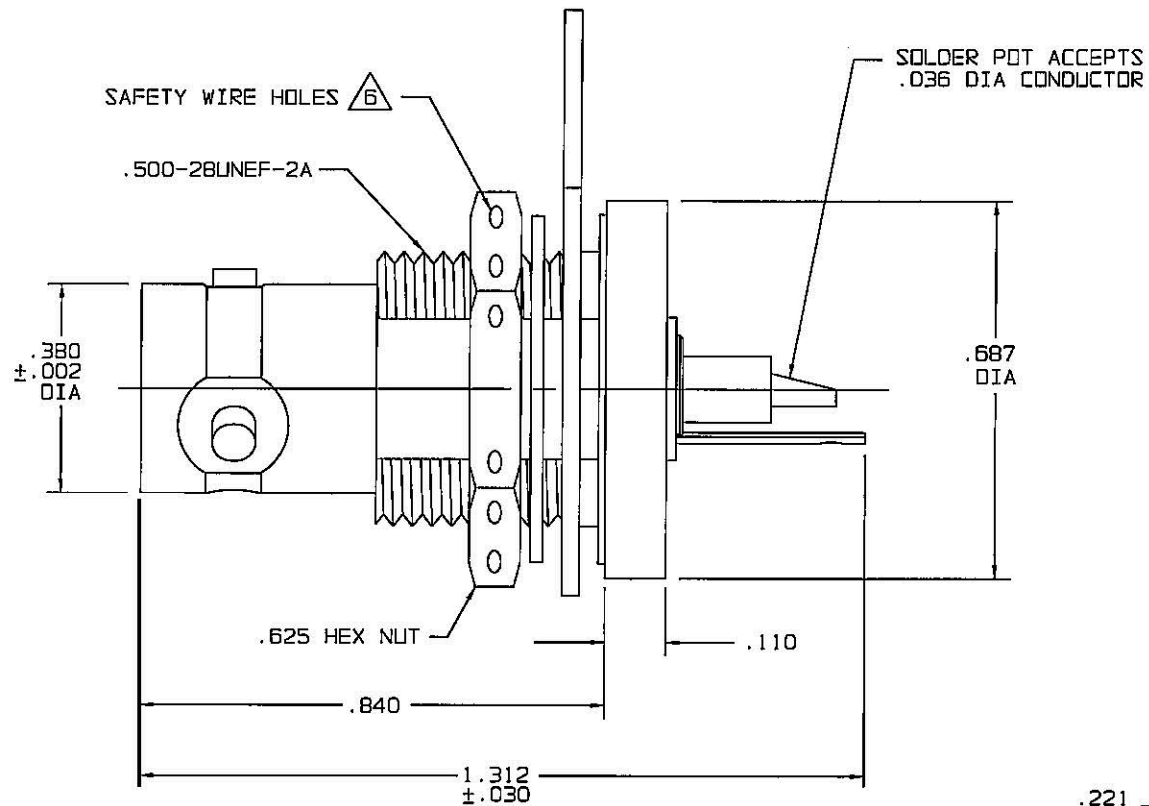
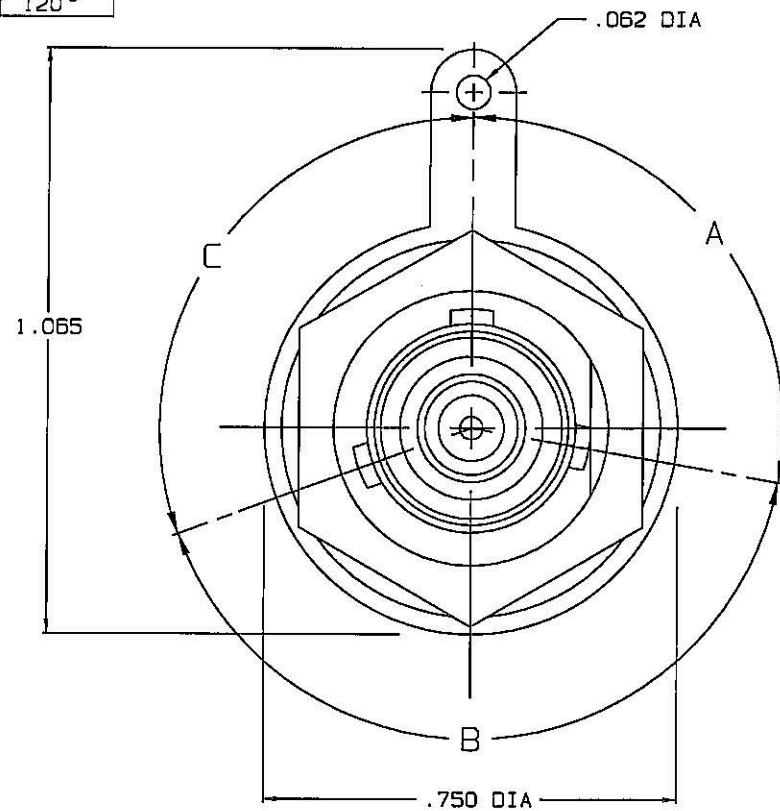
**REVISIONS**

3-0128 SH 1

REV	DESCRIPTION	DATE	APPROVED
G	REVISED PER ECO 15465	5-19-04	nm

TABLE 1  
POLARIZATION CHART

DASH NO	KEYING LETTER	A DEGREES	B DEGREES	C DEGREES
-1	T	100°	150°	110°
-2	U	120°	130°	110°
-3	V	115°	130°	115°
-4	W	125°	110°	125°
-5	X	130°	100°	130°
-6	Y	110°	140°	110°
-7	Z	100°	160°	100°
-8	S	135°	135°	90°
-9	NONE	120°	120°	120°



RECOMMENDED  
PANEL CUTOUT  
SCALE: 2/1

△ HEX NUT WITH SAFETY HOLES IS SUPPLIED WHEN SUFFIX "-S" (SAFETY WIRW TYPE) IS REQ'D ONLY

5. IF SAFETY WIRE TYPE REQ'D, ADD SUFFIX "-S" TO MODEL NO AND PART NO, (SEE NOTE 7 & 8)

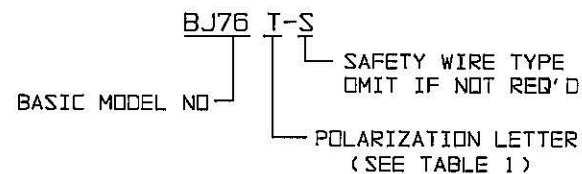
4. MAX PANEL THK .240 W/O SOLDER LUG  
.208 THK W/ SOLDER LUG

3. CONCENTRIC TWINAX/TRIAX TRB  
REAR MOUNT SOLDER POT  
BULKHEAD RECEPTACLE

2. FINISH: NICKEL

1. ALL DIM ARE IN INCHES

B. EXAMPLE OF COMPLETE MODEL NO:



INTERPRET DRAWING PER MIL-STD-100 DIMENSIONS ARE IN INCHES AND INCLUDE FINISH THICKNESS UNLESS OTHERWISE SPECIFIED	TOL: UNLESS SPECIFIED .XX ±.01 .XXX ±.005 .XXXX±.0010 ANGLES± 0° 30'		
DRAWN: AAH CHECKED: M/Mosh S/14/04 QUALITY: M/Mosh S/14/04 FINISH: M/Mosh S/14/04 APPROVED: M/Mosh S/14/04 CAD FILE NO: 3-0128G	DATE: S-14-04 MATERIAL: FINISH:		TITLE: BJ76/T/U/V/W/ X/Y/Z/S/-S
NEXT ASSY	SIZE: B CAGE CODE: 14949 SCALE: 4/1	DRAWING NO.: 3-0128 DATE: 12/15/87 SHEET: 1C	REV.: G