

LTE 4G/5G & Wi-Fi 6E Whip Antenna



AETC1302X

Request Samples



Check Inventory



135.5 x 21.3 mm
RoHS Compliant
MSL = N/A

Features

- Low Profile
- Supports 617 MHz to 7150MHz
- VSWR: ≤ 1.67
- Peak Gain: 5 dBi
- Efficiency: up to 80%
- SMA or RP-SMA connector

Applications

- Internet of Things (IoT) devices
- Bluetooth® /ZigBee® / Single-band WiFi/WLAN
- 2.4GHz Audio Applications
- Bluetooth AoA/AoD applications
- Smart Home and Smart Building

Product Image



LTE 4G/5G & Wi-Fi 6E Whip Antenna



AETC1302X

Request Samples



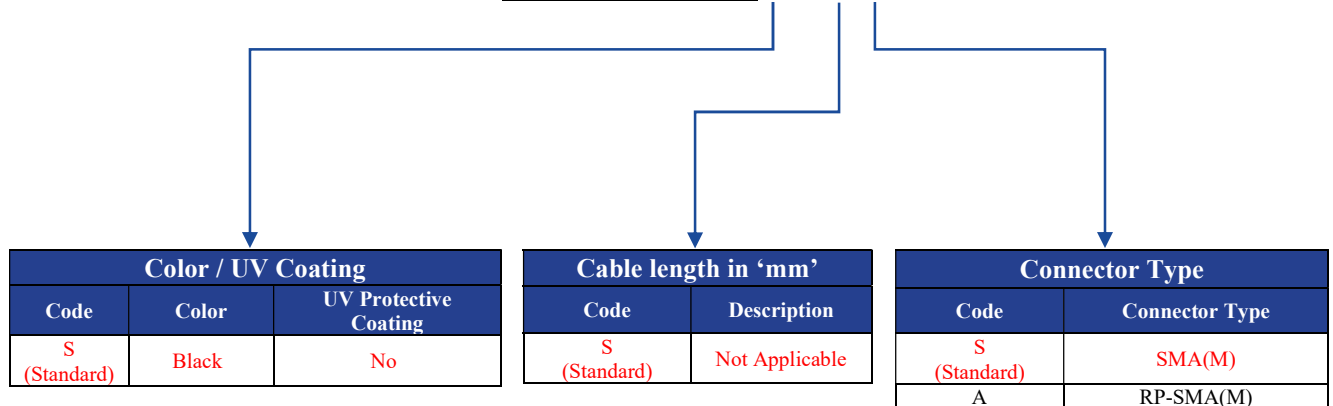
Check Inventory



135.5 x 21.3 mm
RoHS Compliant
 MSL = N/A

Part Number Builder

AETC1302X □ - □ □



Example Configurations:

Part Number	Color / UV Protective Coating	Cable length	Connector Type
AETC1302XS-SS	Black / No	Not Applicable	SMA(M) (Standard)
AETC1302XS-SA	Black / No	Not Applicable	RP-SMA(M)

Note:

- For the standard part number (AETC1302XS-SS), please refer to the packaging at the end of the document.
- For custom configurations (AETC1302X□-□□), MOQs, pricing and packaging changes may apply.

LTE 4G/5G & Wi-Fi 6E Whip Antenna



AETC1302X

Request Samples



Check Inventory



135.5 x 21.3 mm
RoHS Compliant
 MSL = N/A

Electrical Specification

Parameter	Specification			Unit
	Min	Typ	Max	
Operating Frequency	617		960	MHz
	1710		2690	
	1452		1575.412	
	3300		4200	
	4400		5000	
	5150		7150	
VSWR	617	3.0	960	617 – 960 MHz
	1710	3.0	2690	1710 – 2690 MHz
	1452	2.5	1575.412	1452 – 1575.412 MHz
	3300	2.5	4200	3300 – 4200 MHz
	4400	2.5	5000	4400 – 5000 MHz
	5150	3.0	7150	5110 – 7150 MHz
Gain	(617-960 MHz)		1	dBi
	(1452-1575.412 MHz)		2	
	(1710-2690 MHz)		2	
	(3300-4200 MHz)		2	
	(4400-5000 MHz)		2	
	(5150-7150 MHz)		2	
Impedance		50		Ω
Polarization	Vertical			
Radiation Pattern (Azimuth)	Omni-directional			

Mechanical Specification

Parameter	Specification
Dimensions	135.5 x 21.3 mm
Material	PC/PBT
Antenna Type	Whip
RF Connector	SMA

Environmental Specification

Parameter	Specification
Operating Temperature	-20°C to +65°C
Storage Temperature	-30°C to +70°C
ROHS Complaint	Yes
MSL	N/A



5101 Hidden Creek Ln Spicewood TX 78669
 Phone: 512-371-6159 | Fax: 512-351-8858
 For terms and conditions of sales, please visit:
www.abracon.com

REVISED: 12-14-22

ABRACON IS
 ISO9001-2015
 CERTIFIED

LTE 4G/5G & Wi-Fi 6E Whip Antenna



AETC1302X

Request Samples

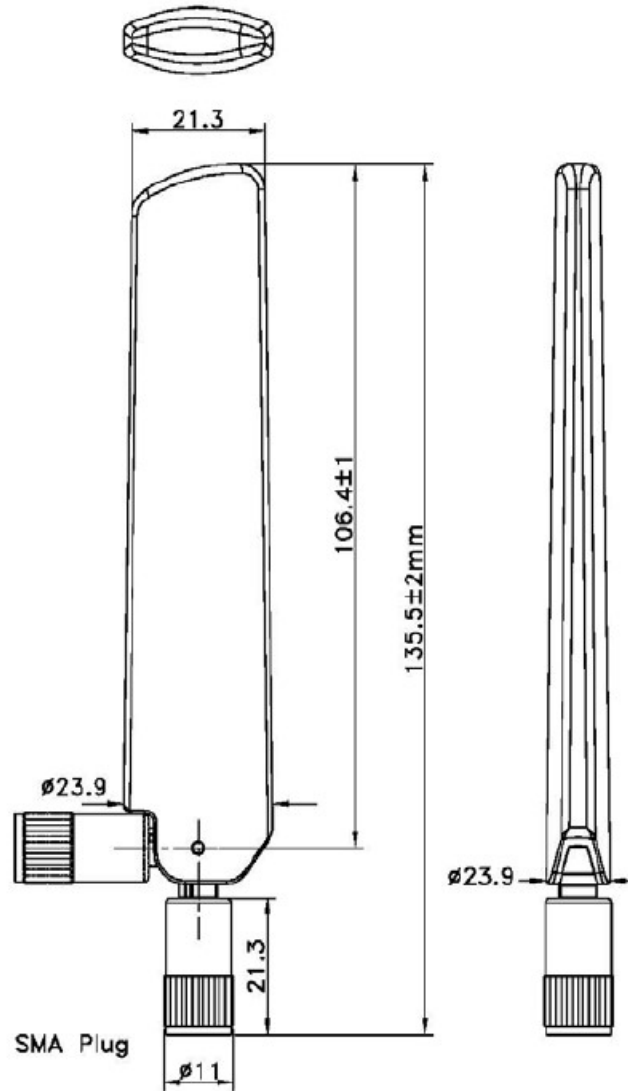


Check Inventory



135.5 x 21.3 mm
RoHS Compliant
MSL = N/A

Product Dimension



Unit : mm

LTE 4G/5G & Wi-Fi 6E Whip Antenna



AETC1302X

Request Samples

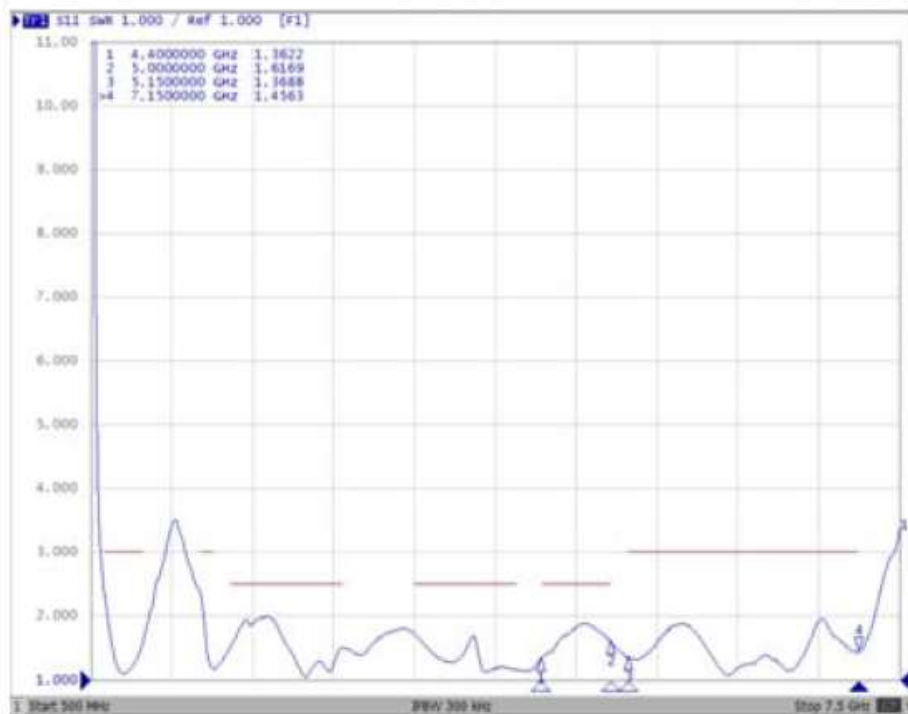
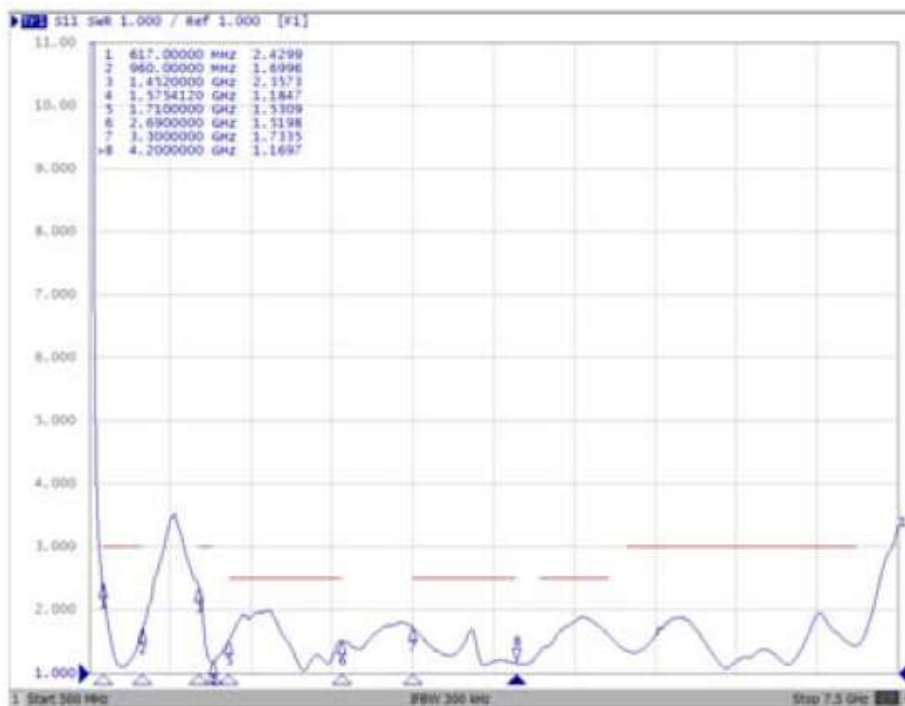


Check Inventory



135.5 x 21.3 mm
RoHS Compliant
MSL = N/A

VSWR Measurement



LTE 4G/5G & Wi-Fi 6E Whip Antenna



AETC1302X

Request Samples

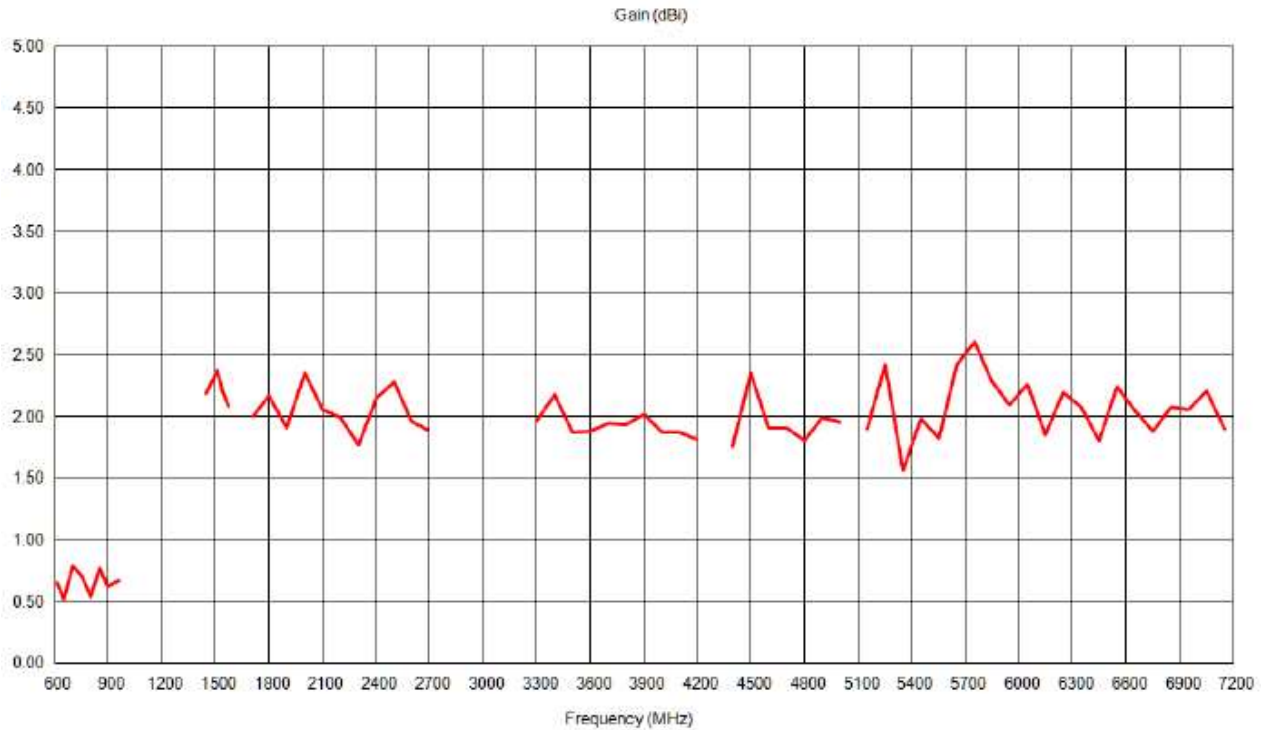


Check Inventory



135.5 x 21.3 mm
RoHS Compliant
MSL = N/A

Gain and Efficiency



LTE 4G/5G & Wi-Fi 6E Whip Antenna



AETC1302X

Request Samples



Check Inventory



135.5 x 21.3 mm
RoHS Compliant
 MSL = N/A

Frequency (MHz)	617	650	700	750	800	850	900	960	1452	1511	1545	1575.412
Gain(dBi)	0.65	0.51	0.79	0.71	0.53	0.77	0.62	0.67	2.19	2.37	2.19	2.09
Efficiency (%)	47.97	48.10	49.96	48.81	49.66	48.92	49.72	50.50	59.73	61.16	63.05	64.51

Frequency (MHz)	1710	1800	1900	2000	2100	2200	2300	2400	2500	2600	2690
Gain(dBi)	2.00	2.17	1.90	2.35	2.06	1.99	1.76	2.15	2.28	1.96	1.89
Efficiency (%)	62.22	62.72	62.33	58.18	62.37	60.12	61.97	59.67	60.01	62.17	61.56

Frequency (MHz)	3300	3400	3500	3600	3700	3800	3900	4000	4100	4200
Gain(dBi)	1.96	2.18	1.87	1.87	1.94	1.93	2.02	1.87	1.86	1.81
Efficiency (%)	60.47	64.73	60.31	60.36	62.71	60.33	61.80	60.86	62.94	62.04

Frequency (MHz)	4400	4500	4600	4700	4800	4900	5000
Gain(dBi)	1.76	2.35	1.91	1.91	1.8	1.99	1.95
Efficiency (%)	58.96	60.24	61.42	61.26	58.85	61.49	55.72

Frequency (MHz)	5150	5250	5350	5450	5550	5650	5750	5850	5950	6050	6150
Gain(dBi)	1.89	2.42	1.56	1.98	1.83	2.42	2.60	2.29	2.09	2.26	1.85
Efficiency (%)	55.86	53.09	55.88	51.01	54.17	53.08	50.78	52.99	56.65	51.60	52.90

Frequency (MHz)	6250	6350	6450	6550	6650	6750	6850	6950	7050	7150
Gain(dBi)	2.20	2.08	1.80	2.24	2.05	1.88	2.08	2.05	2.21	1.90
Efficiency (%)	52.53	51.03	50.83	56.10	49.09	52.50	60.29	54.99	51.57	55.60

LTE 4G/5G & Wi-Fi 6E Whip Antenna



AETC1302X

Request Samples



Check Inventory



135.5 x 21.3 mm
RoHS Compliant
MSL = N/A

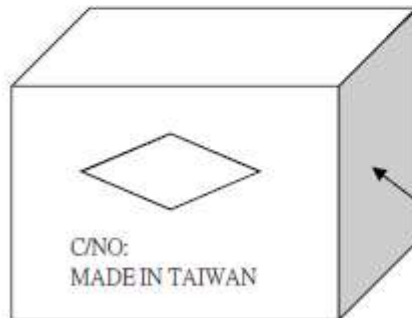
Packaging Information



① 1pcs antenna / 1 PE bag



② 25pcs antenna / 1 PE bag



③ 400pcs antenna / 1 Carton

MODEL No.:	
Q'ty:	PCS
N.W:	PCS
G.W:	PCS

Packing q'ty is for reference only, adjust it based on production packing.

ATTENTION: Abracon LLC's products are COTS – Commercial-Off-The-Shelf products; suitable for Commercial, Industrial and, where designated, Automotive Applications. Abracon's products are not specifically designed for Military, Aviation, Aerospace, Life-dependent Medical applications or any application requiring high reliability where component failure could result in loss of life and/or property. For applications requiring high reliability and/or presenting an extreme operating environment, written consent and authorization from Abracon LLC is required. Please contact Abracon LLC for more information.



5101 Hidden Creek Ln Spicewood TX 78669
Phone: 512-371-6159 | Fax: 512-351-8858
For terms and conditions of sales, please visit:
www.abracon.com

REVISED: 12-14-22

ABRACON IS
ISO9001-2015
CERTIFIED